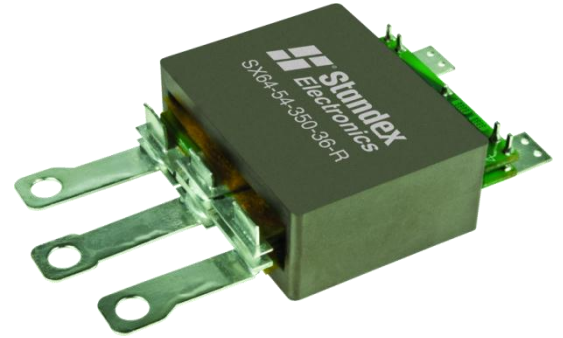


SX64 Series Planar Transformers for 1KW – 10KW Applications



Contact Information:

Standex-Meder Electronics

World Headquarters
4538 Camberwell Road
Cincinnati, OH 45209 USA

Standex Americas (OH)

+1.866.STANDEX
(+1.866.782.6339)
info@standexelectronics.com

Meder Americas (MA)

+1.800.870.5385
salesusa@standexmeder.com

Standex-Meder Asia (Shanghai)

+86.21.37820625
salesasia@meder.com

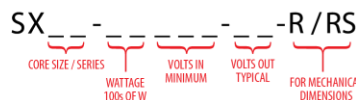
Standex-Meder Europe

(Germany)
+49.7731.8399.0
info@standexmeder.com

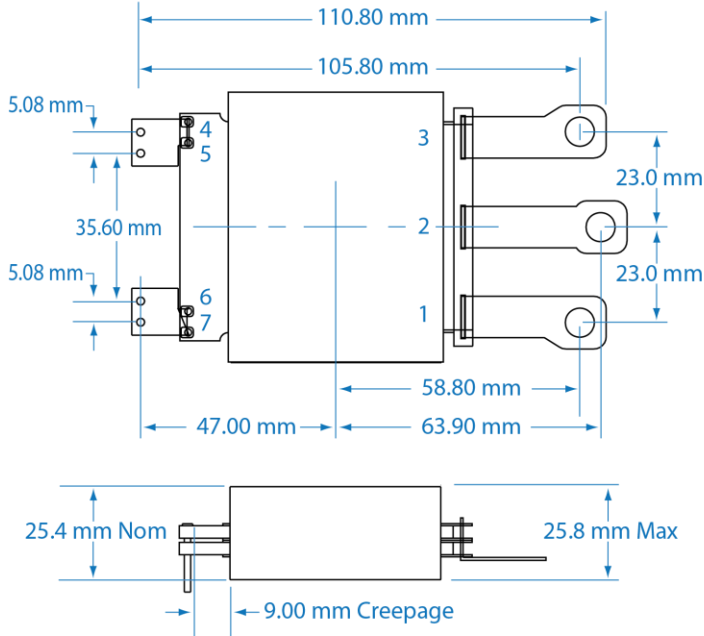
Standard PN Data Sheet

Part #	Pri T	Sec T	Output (Typ)	Pri DCR mΩ	Sec DCR mΩ	Vin (min) Freq	Ploss(W)
SX64-60-700-60-R/RS	20	2T-CT-2T	60V@100A	43	0.45 0.45	700Vdc 100Khz	15.0
SX64-36-580-24-R/RS	20	1T-CT-1T	24V@150A	43	0.11 0.11	580Vdc 100Khz	8.5
SX64-36-420-24-R/RS	12	1T-CT-1T	24V@150A	15	0.23 0.23	420Vdc 65Khz	18.0
SX64-62-330-48-R/RS	12	2T-CT-2T	48V@130A	15	0.46 0.46	330Vdc 65Khz	25
SX64-56-360-28-R/RS	11	1T-CT-1T	28V@200A	14	0.11 0.11	360Vdc 100Khz	14.5
SX64-30-350-30-R/RS	10	1T-CT-1T	30V@100A	11	0.23 0.23	350Vdc 100Khz	10.5
SX64-54-350-36-R/RS	8	1T-CT-1T	36V@150A	7.5	0.23 0.23	350Vdc 100Khz	18.6

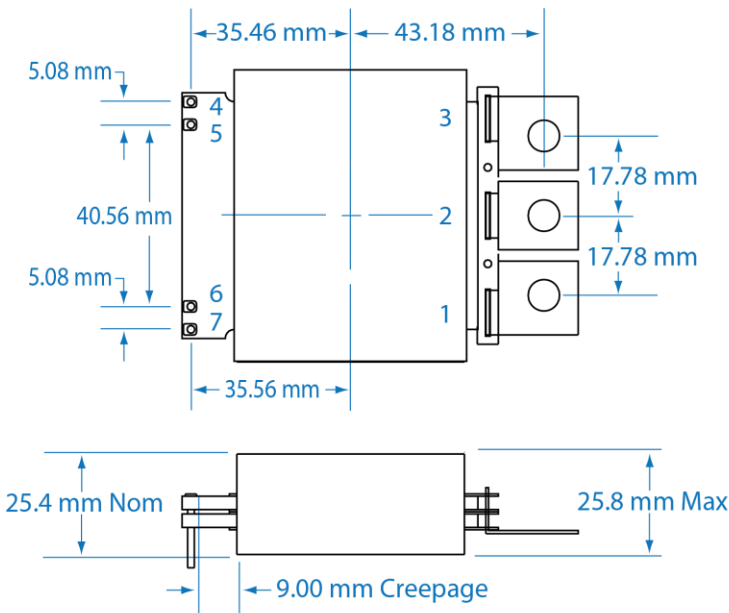
Notes: All Electrical Values at 25°C | Pri : Sec'y : Core Isolation 3750 VAC / Sec : Core 1500 VDC | Creepage 8mm Pri : Core Maximum Non-Operating Temperatures: -55°C to +130°C | Maximum Operating Rated Temperatures: -30°C to +85°C



Mechanical Dimensions R Series



Mechanical Dimensions RS Series



Schematics R and RS Series

