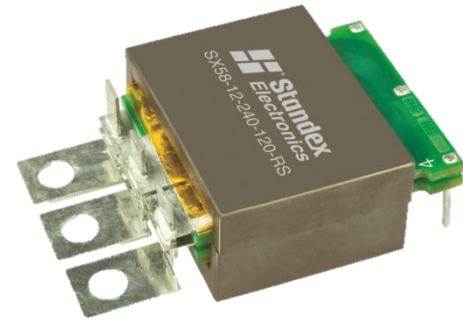


SX58 Series Planar Transformers For 1KW – 5KW Applications



Contact Information:

Standex-Meder Electronics

World Headquarters
4538 Camberwell Road
Cincinnati, OH 45209 USA

Standex Americas (OH)

+1.866.STANDEX
(+1.866.782.6339)
info@standexelectronics.com

Meder Americas (MA)

+1.800.870.5385
salesusa@standexmeder.com

Standex-Meder Asia (Shanghai)

+86.21.37820625
salesasia@meder.com

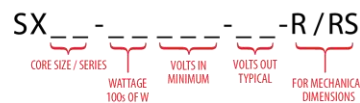
Standex-Meder Europe

(Germany)
+49.7731.8399.0
info@standexmeder.com

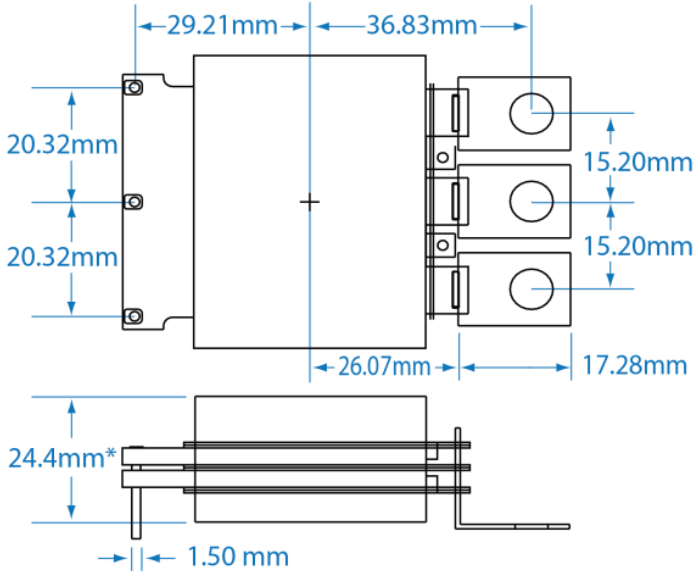
Standard PN Data Sheet

Part #	Pri T	Sec T	Output (Typ)	Pri DCR mΩ	Sec DCR mΩ	Vin (min) Freq	Ploss(W)
SX58-22-380-12-RS	24	1T-CT-1T	12V@184A	65	0.19 0.19	380Vdc 50Khz	11.2
SX58-22-380-24-RS	24	2T-CT-2T	24V@92A	65	0.76 0.76	380Vdc 50Khz	10.8
SX58-22-380-48-R	24	2T-T-2T	48V@46A	65	0.95 0.95	380Vdc 100Khz	8
SX58-22-380-60-R	24	2T-T-3T	60V@37A	65	1.50 1.50	380Vdc 100Khz	8
SX58-22-380-120-R	24	5T-T-5T	120V@18A	65	5.8 5.8	380Vdc 50Khz	8
SX58-12-240-12-RS	16	1T-CT-1T	12V@100A	29	0.19 0.19	240Vdc 50Khz	7.1
SX58-12-240-24-RS	16	2T-CT-2T	24V@50A	29	0.76 0.76	240Vdc 50Khz	7.1
SX58-12-240-30-RS	14	2T-CT-2T	30V@40A	23	0.76 0.76	240Vdc 75Khz	6.6
SX58-12-240-120-R	14	4T-T-4T	120V@10A	23	3.8 3.8	240Vdc 75Khz	6.8

Notes: All Electrical Values at 25°C | Pri : Sec'y : Core Isolation 3750 VAC / Sec : Core 1500 VDC | Creepage 8mm Pri : Core Maximum Non-Operating Temperatures: -55°C to +130°C | Maximum Operating Rated Temperatures: -30°C to +85°C

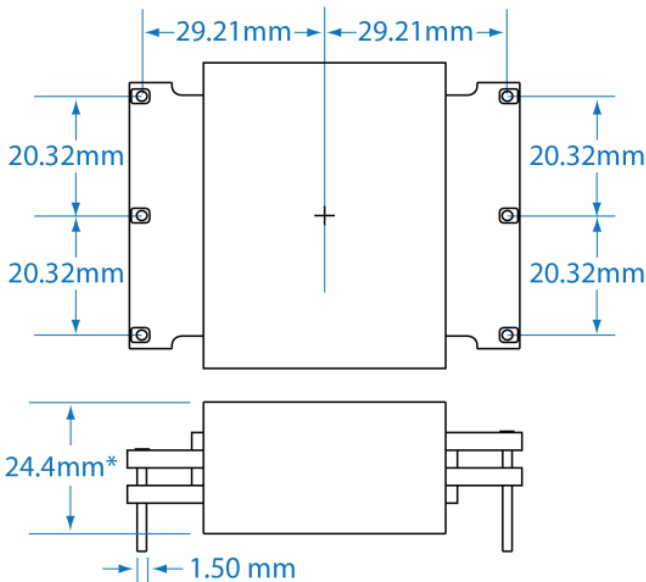


Mechanical Dimensions RS Series



*Note: Height can range from 20.3mm minimum to 25.4mm maximum depending on model.

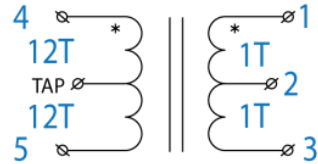
Mechanical Dimensions R Series



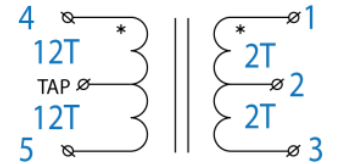
*Note: Height can range from 20.3mm minimum to 25.4mm maximum depending on model.

Schematics R and RS Series

SX58-22-380-12-R/RS



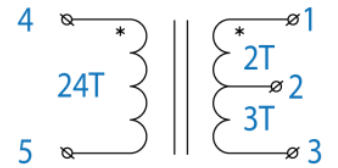
SX58-22-380-24-R/RS



SX58-22-380-48-R/RS



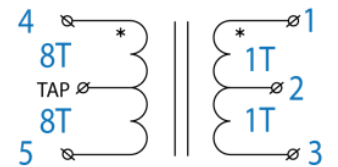
SX58-22-380-60-R/RS



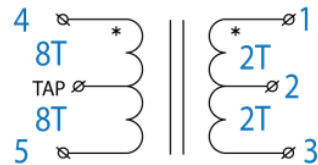
SX58-22-380-120-R/RS



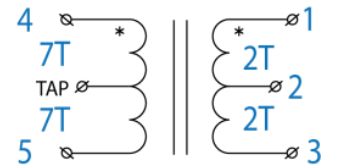
SX58-12-240-12-R/RS



SX58-12-240-24-R/RS



SX58-12-240-30-R/RS



SX58-12-240-120-R/RS

