

## Product Solutions

# SX58 Series Planar Transformers For 1KW – 5 KW Applications



New SX58 series Hi-Power Planar Transformers from Standex Electronics feature high performance from a compact, low-profile package. These proven designs are ideal for demanding applications where space and weight savings are vital. Applications such as military, aerospace, hybrid vehicles and alternative energy can benefit from these standard or custom Standex planar designs.

### Standard PN Data Sheet

Part #	Pri T	Sec T	Output (Typ)	Pri DCR mΩ	Sec DCR mΩ	Vin (min)   Freq	Ploss(W)
SX58-22-380-12-RS	24	1T-CT-1T	12V@184A	65	0.19   0.19	380Vdc   50Khz	11.2
SX58-22-380-24-RS	24	2T-CT-2T	24V@92A	65	0.76   0.76	380Vdc   50Khz	10.8
SX58-22-380-48-R	24	2T-T-2T	48V@46A	65	0.95   0.95	380Vdc   100Khz	8
SX58-22-380-60-R	24	2T-T-3T	60V@37A	65	1.50   1.50	380Vdc   100Khz	8
SX58-22-380-120-R	24	5T-T-5T	120V@18A	65	5.8   5.8	380Vdc   50Khz	8
SX58-12-240-12-RS	16	1T-CT-1T	12V@100A	29	0.19   0.19	240Vdc   50Khz	7.1
SX58-12-240-24-RS	16	2T-CT-2T	24V@50A	29	0.76   0.76	240Vdc   50Khz	7.1
SX58-12-240-30-RS	14	2T-CT-2T	30V@40A	23	0.76   0.76	240Vdc   75Khz	6.6
SX58-12-240-120-R	14	4T-T-4T	120V@10A	23	3.8   3.8	240Vdc   75Khz	6.8

Notes: All Electrical Values at 25°C | Pri : Sec'y : Core Isolation 3750 VAC / Sec : Core 1500 VDC | Creepage 8mm Pri : Core Maximum Non-Operating Temperatures: -55°C to +130°C | Maximum Operating Rated Temperatures: -30°C to +85°C

SX - - - - R / RS  
CORE SIZE / SERIES   WATTAGE 100s OF W   VOLTS IN MINIMUM   VOLTS OUT TYPICAL   FOR MECHANICAL DIMENSIONS

PS\_PlanarSX58 12.223

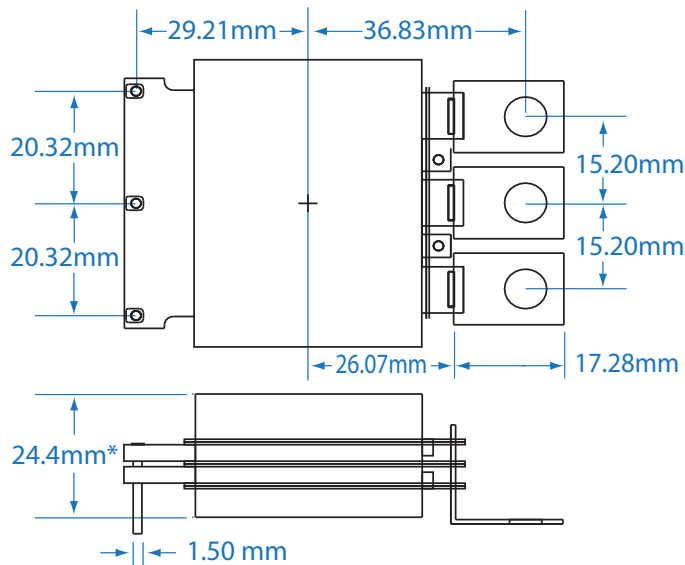
[www.standexelectronics.com](http://www.standexelectronics.com) • +1.866.STANDEX (+1.866.782.6339)

United Kingdom +44.1732.771.023 • China +86.22.86996881~5

**Call today to find out why Standex is a world leader in planar transformer technology!**

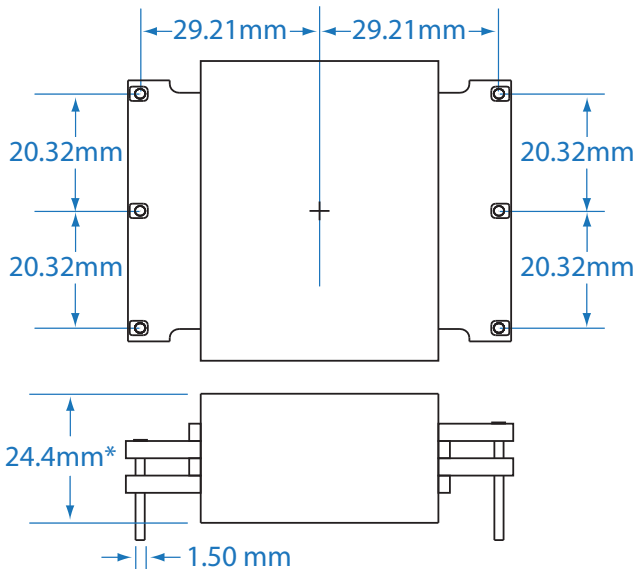
## SX58 Series 1KW - 10KW

### Mechanical Dimensions RS Series



\*Note: Height can range from 20.3mm minimum to 25.4mm maximum depending on model.

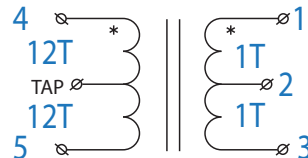
### Mechanical Dimensions R Series



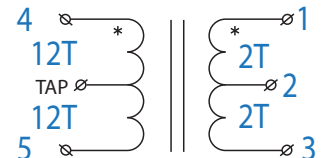
\*Note: Height can range from 20.3mm minimum to 25.4mm maximum depending on model.

### Schematics R and RS Series

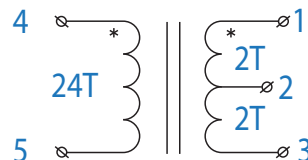
#### SX58-22-380-12-R/RS



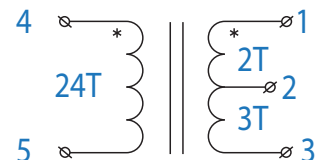
#### SX58-22-380-24-R/RS



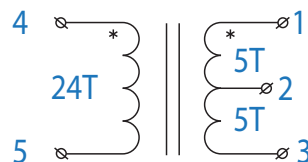
#### SX58-22-380-48-R/RS



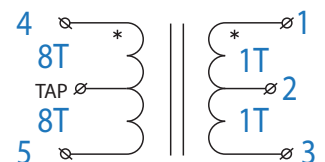
#### SX58-22-380-60-R/RS



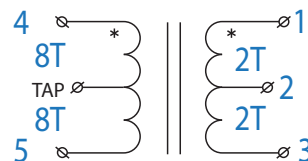
#### SX58-22-380-120-R/RS



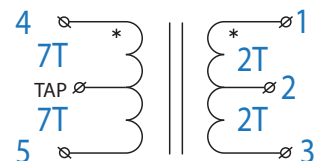
#### SX58-12-240-12-R/RS



#### SX58-12-240-24-R/RS



#### SX58-12-240-30-R/RS



#### SX58-12-240-120-R/RS



**Call Standex for all of your  
Planar transformer needs!**