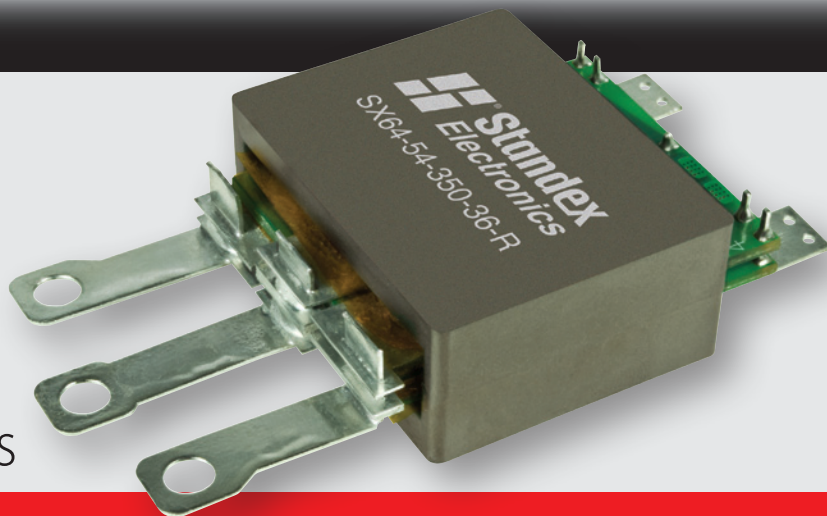


Product Solutions

SX64 Series Planar Transformers For 1KW – 10 KW Applications

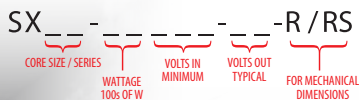


New SX64 series Hi-Power Planar Transformers from Standex Electronics feature high performance from a compact, low-profile package. These proven designs are ideal for demanding applications where space and weight savings are vital. Applications such as military, aerospace, hybrid vehicles and alternative energy can benefit from these standard or custom Standex planar designs.

Standard PN Data Sheet

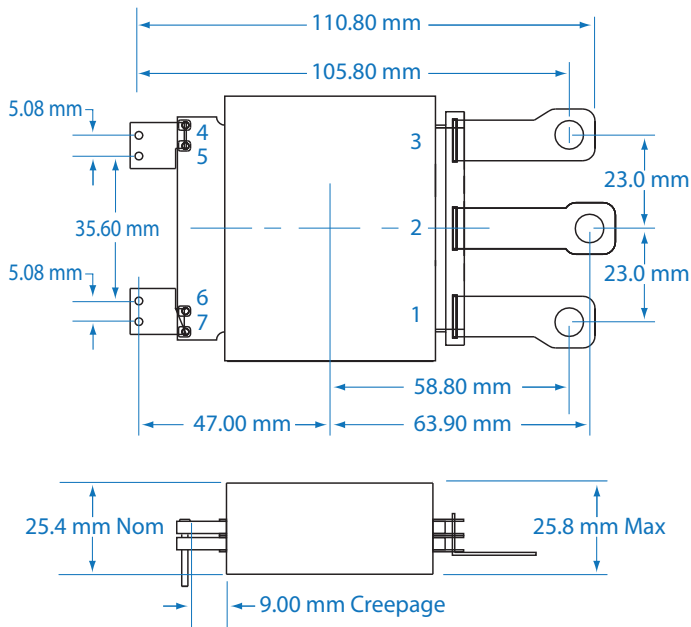
Part #	Pri T	Sec T	Output (Typ)	Pri DCR mΩ	Sec DCR mΩ	Vin (min) Freq	Ploss(W)
SX64-60-700-60-R/RS	20	2T-CT-2T	60V@100A	43	0.45 0.45	700Vdc 100Khz	15.0
SX64-36-580-24-R/RS	20	1T-CT-1T	24V@150A	43	0.11 0.11	580Vdc 100Khz	8.5
SX64-36-420-24-R/RS	12	1T-CT-1T	24V@150A	15	0.23 0.23	420Vdc 65Khz	18.0
SX64-62-330-48-R/RS	12	2T-CT-2T	48V@130A	15	0.46 0.46	330Vdc 65Khz	25
SX64-56-360-28-R/RS	11	1T-CT-1T	28V@200A	14	0.11 0.11	360Vdc 100Khz	14.5
SX64-30-350-30-R/RS	10	1T-CT-1T	30V@100A	11	0.23 0.23	350Vdc 100Khz	10.5
SX64-54-350-36-R/RS	8	1T-CT-1T	36V@150A	7.5	0.23 0.23	350Vdc 100Khz	18.6

Notes: All Electrical Values at 25°C | Pri : Sec'y : Core Isolation 3750 VAC / Sec : Core 1500 VDC | Creepage 8mm Pri : Core Maximum Non-Operating Temperatures: -55°C to +130°C | Maximum Operating Rated Temperatures: -30°C to +85°C

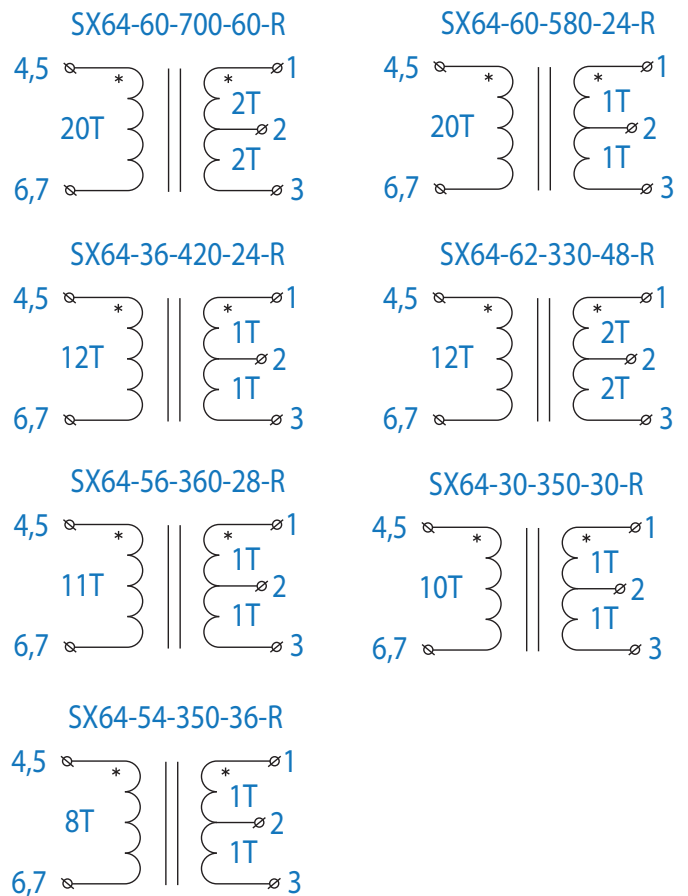


SX64 Series 1KW - 10KW

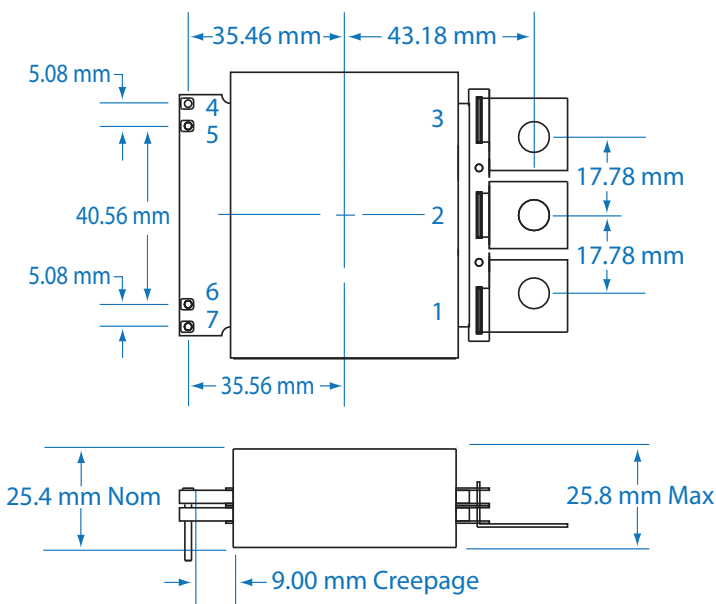
Mechanical Dimensions R Series



Schematics R and RS Series



Mechanical Dimensions RS Series



**Call Standex for all of your
Planar transformer needs!**