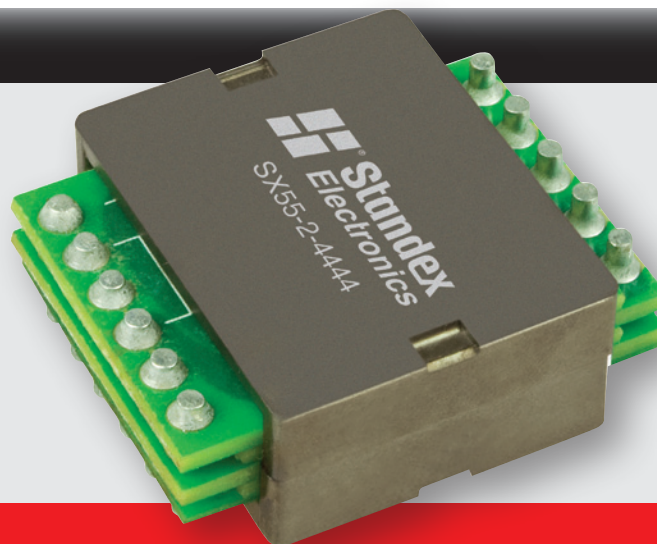


Product Solutions

SX55 Series Planar Transformers With Power Ratings To 350W/700W



New SX55 series Hi-Power Planar Transformers from Standex Electronics feature high performance from a compact, low-profile package. These proven designs are ideal for demanding applications where space and weight savings are vital. Applications such as military, aerospace, hybrid vehicles and alternative energy can benefit from these standard or custom Standex planar designs.

Single Interleave Designs - Maximum Height 7.4mm

Part #	Turns		Primary* Inductance (µH Min.)	Leakage** Inductance (µH Nom)	DCR (mΩ Nom)		Sch.
	PRI	Sec.			PRI	Sec.	
SX55-1-4444	4T		54	0.15	7		
SX55-1-5544	5T	4T	85	0.18	12		
SX55-1-6644	6T	1T & 1T	120	0.22	17	7.00	B1
SX55-1-7744	7T	1T & 1T	165	0.28	25		
SX55-1-8844	8T		215	0.33	32		
SX55-1-4477	4T		54	0.15	7		
SX55-1-5577	5T		85	0.18	12		
SX55-1-6677	6T	7T & 7T	120	0.22	17	46 & 46	B2
SX55-1-7777	7T		165	0.28	25		
SX55-1-8877	8T		215	0.33	32		
SX55-1-4411	4T		54	0.15	7		
SX55-1-5511	5T		85	0.18	12		
SX55-1-6611	6T	1T & 1T	120	0.22	17	0.9 & 0.9	B2
SX55-1-7711	7T		165	0.28	25		
SX55-1-8811	8T		215	0.33	32		
SX55-1-4421	4T		54	0.15	7		
SX55-1-5521	5T		85	0.18	12		
SX55-1-6621	6T	2T & 1T	120	0.22	17	4 & 1	B3
SX55-1-7721	7T		165	0.28	25		
SX55-1-8821	8T		215	0.33	32		

* Inductance is measured with primary winding (2 to 4).

**Leakage inductance is measured on winding (2 – 4) with all other windings shorted.

Double Interleave Designs - Maximum Height 10.2mm

Part #	Turns			Primary* Inductance (µH Min.)	Leakage** Inductance (µH Nom)	DCR (mΩ Nom)			Sch.
	PRI A	PRI B	Sec.			PRI A	PRI B	Sec.	
SX55-2-4444	4T	4T		216	0.100	7	7		
SX55-2-5544	5T	5T	4T	340	0.150	12	12		
SX55-2-6644	6T	6T	1T & 1T	480	0.180	17	17	3.50	A1
SX55-2-7744	7T	7T	1T & 1T	660	0.250	25	25		
SX55-2-8844	8T	8T		860	0.280	32	32		
SX55-2-4411	4T	4T		216	0.100	7	7		
SX55-2-5511	5T	5T		340	0.150	12	12		
SX55-2-6611	6T	6T	1T & 1T	480	0.180	17	17	0.45 & 0.45	A2
SX55-2-7711	7T	7T		660	0.250	25	25		
SX55-2-8811	8T	8T		860	0.280	32	32		

* Inductance is measured with both primary windings connected in series (2 to 5, with 3 and 4 shorted).

**Leakage inductance is measured on winding (2 – 5) connected in series with all other windings shorted.

PS_PlanarSX55 11.242

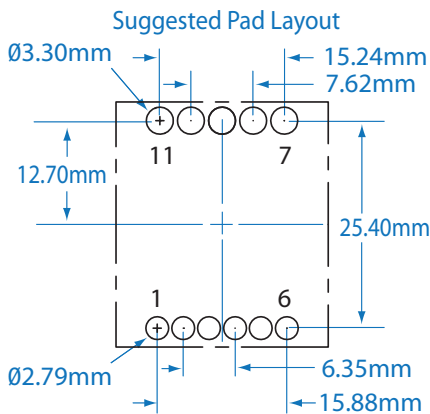
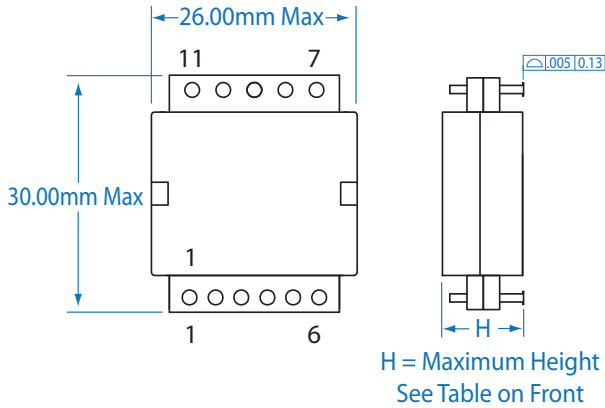
www.standelectronic.com • +1.866.STANDEX (+1.866.782.6339)

United Kingdom +44.1732.771.023 • China +86.22.86996881~5

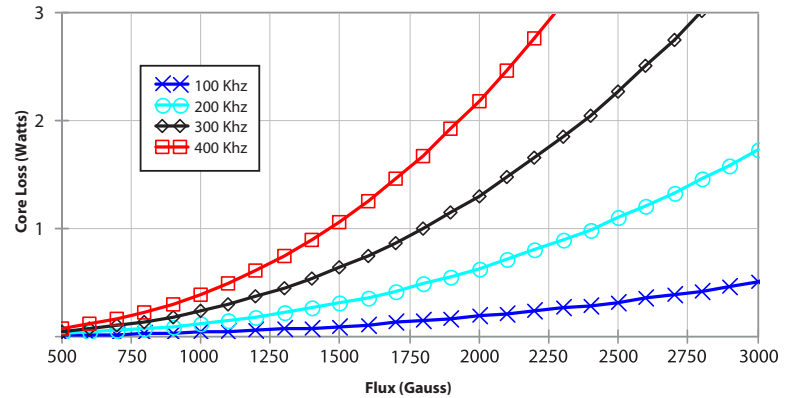
**Call today to find out why
Standex is a world leader in
planar transformer technology!**

SX-55 Series 350W/700W

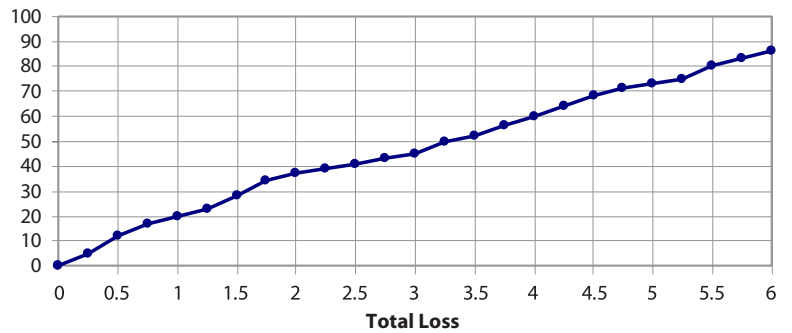
Mechanical Dimensions



Core Loss Vs Flux Density

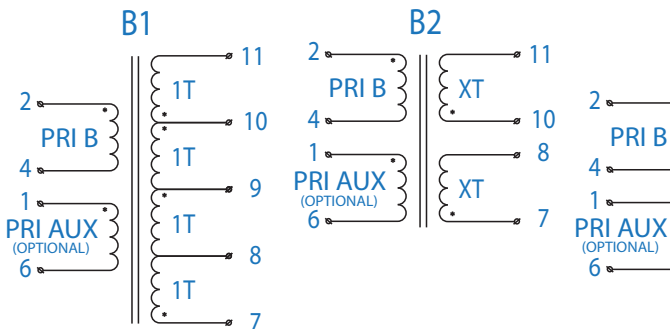


Temperature Rise

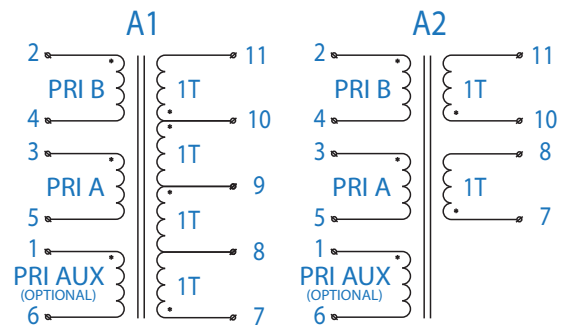


Schematics

Single Interleave



Double Interleave



**Call Standex for all of your
Planar transformer needs!**