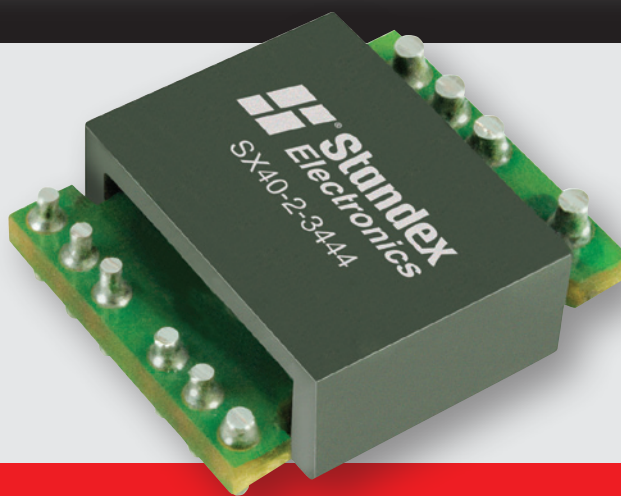


Product Solutions

SX40 Series Planar Transformers With Power Ratings To 180W/360W



New SX40 series Hi-Power Planar Transformers from Standex Electronics feature high performance from a compact, low-profile package. These proven designs are ideal for demanding applications where space and weight savings are vital. Applications such as military, aerospace, hybrid vehicles and alternative energy can benefit from these standard or custom Standex planar designs.

Single Interleave Designs - Maximum Height 7.4mm

Part #	Turns			Primary* Inductance (µH Min.)	Leakage** Inductance (µH Nom)	DCR (mΩ Nom)			Sch.
	PRI A	PRI B	Sec.			PRI A	PRI B	Sec.	
SX40-1-3444	3T	4T	4T	117	0.15	9	15	7.00	A1
SX40-1-4444	4T	4T		153	0.20	15	15		
SX40-1-4544	4T	5T		194	0.25	15	26		
SX40-1-5544	5T	5T		240	0.30	26	26		
SX40-1-5644	5T	6T	1T & 1T	290	0.35	26	36	1 & 1	A2
SX40-1-6644	6T	6T		345	0.40	36	36		
SX40-1-3411	3T	4T		117	0.15	9	15		
SX40-1-4411	4T	4T		153	0.20	15	15		
SX40-1-4511	4T	5T	2T & 1T	194	0.25	15	26	4 & 1	A3
SX40-1-5511	5T	5T		240	0.30	26	26		
SX40-1-5611	5T	6T		290	0.35	26	36		
SX40-1-6611	6T	6T		345	0.40	36	36		
SX40-1-3421	3T	4T	3T & 1T	117	0.15	9	15	9 & 1	A3
SX40-1-4421	4T	4T		153	0.20	15	15		
SX40-1-4521	4T	5T		194	0.25	15	26		
SX40-1-5521	5T	5T		240	0.30	26	26		
SX40-1-5621	5T	6T	3T & 1T	290	0.35	26	36	9 & 1	A3
SX40-1-6621	6T	6T		345	0.40	36	36		
SX40-1-4431	4T	4T		153	0.20	15	15		
SX40-1-4531	4T	5T		194	0.30	15	26		

* Inductance is measured with primary winding (2 to 4).

**Leakage inductance is measured on winding (2 - 4) with all other windings shorted.

Double Interleave Designs - Maximum Height 9.8mm

Part #	Turns			Primary* Inductance (µH Min.)	Leakage** Inductance (µH Nom)	DCR (mΩ Nom)			Sch.
	PRI A	PRI B	Sec.			PRI A	PRI B	Sec.	
SX40-2-3444	3T	4T	4T (1T:1T:1T:1T)	117	0.100	5	8	4.00	A1
SX40-2-4444	4T	4T		153	0.100	8	8		
SX40-2-4544	4T	5T		194	0.100	8	14		
SX40-2-5544	5T	5T		240	0.150	14	14		
SX40-2-5644	5T	6T	1T & 1T	290	0.150	14	19	0.6 & 0.6	A2
SX40-2-6644	6T	6T		345	0.150	19	19		
SX40-2-3411	3T	4T		117	0.100	5	8		
SX40-2-4411	4T	4T		153	0.100	8	8		
SX40-2-4511	4T	5T	2T & 1T	194	0.100	8	14	1.7 & 0.6	A3
SX40-2-5511	5T	5T		240	0.150	14	14		
SX40-2-5611	5T	6T		290	0.150	14	19		
SX40-2-6611	6T	6T		345	0.150	19	19		
SX40-2-3421	3T	4T	3T & 1T	117	0.100	5	8	5 & 0.6	A3
SX40-2-4421	4T	4T		153	0.100	8	8		
SX40-2-4521	4T	5T		194	0.100	8	14		
SX40-2-5521	5T	5T		240	0.150	14	14		
SX40-2-5621	5T	6T	3T & 1T	290	0.150	14	19	5 & 0.6	A3
SX40-2-6621	6T	6T		345	0.150	19	19		
SX40-2-4431	4T	4T		153	0.100	8	8		
SX40-2-4531	4T	5T		194	0.100	8	14		

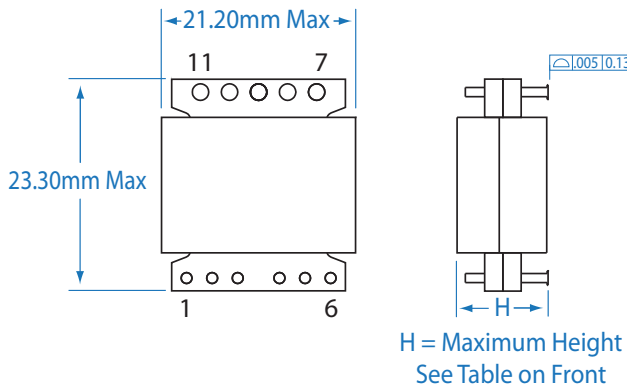
* Inductance is measured with both primary windings connected in series (2 to 5, with 3 and 4 shorted).

**Leakage inductance is measured on winding (2 - 5) connected in series with all other windings shorted.

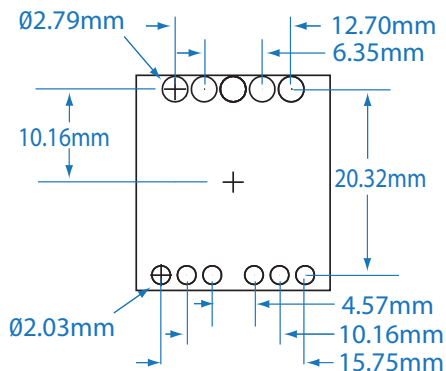
PS_PlanarSX40 11.242

SX-40 Series 180W/360W

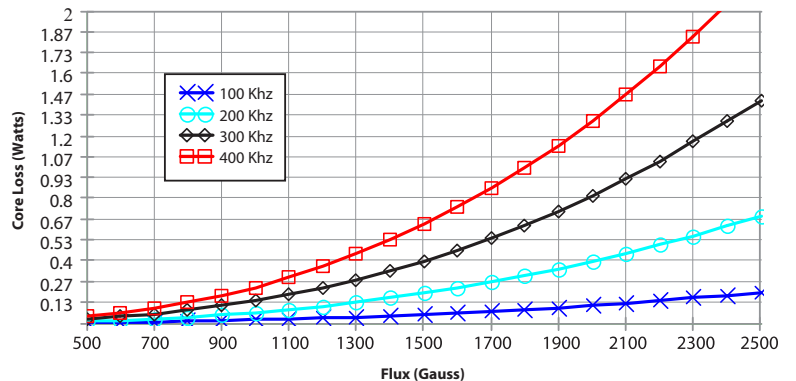
Mechanical Dimensions



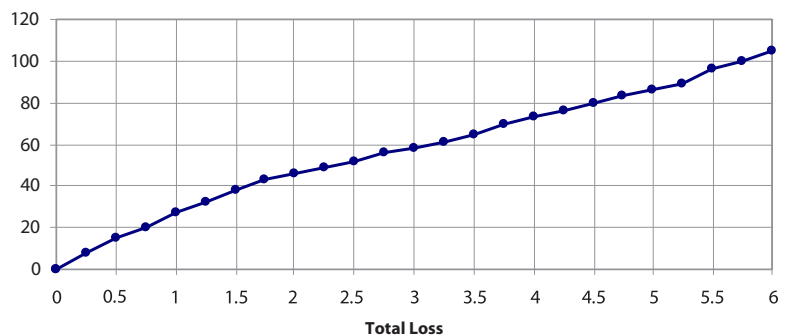
Suggested Pad Layout



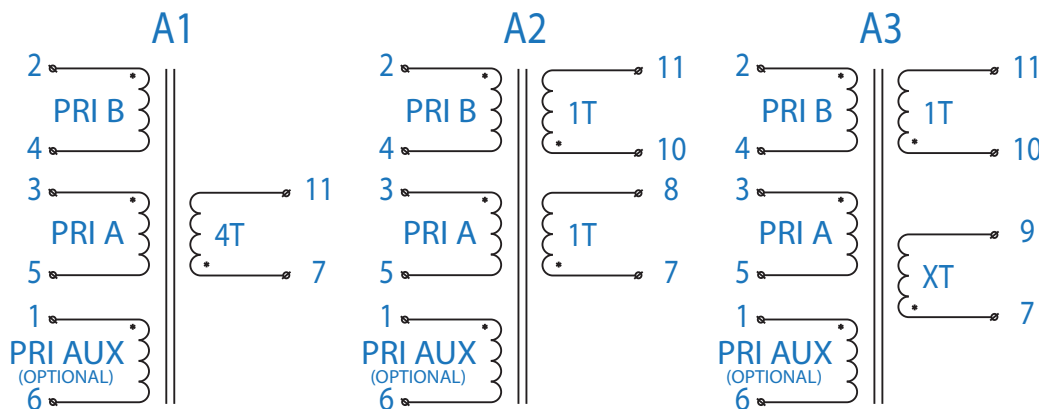
Core Loss Vs Flux Density



Temperature Rise



Schematics



**Call Standex for all of your
Planar transformer needs!**