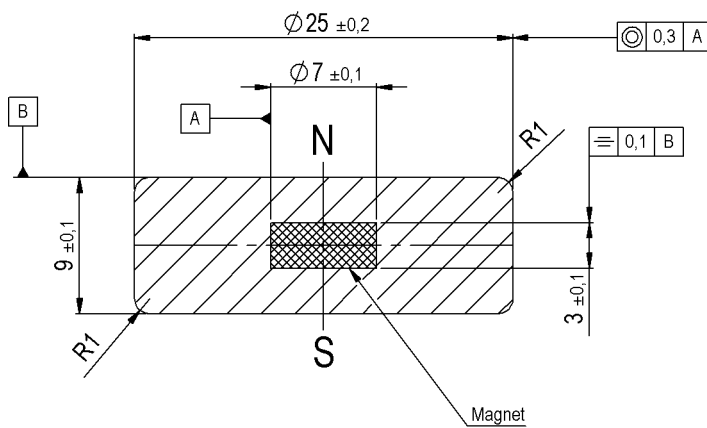
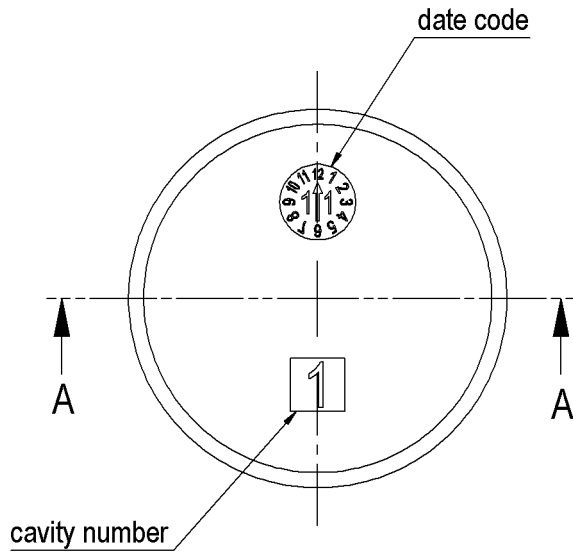


Dimensions mm[inch]
 tolerances acc. to DIN ISO 2768-m
 Toleranzen gem. DIN ISO 2768-m

Isometric
 Scale 2:1
 Maßstab 2:1



A-A (2 : 1)



Europe: +49 / 7731 8399 0 | Email: info@meder.com
 USA: +1 / 508 295 0771 | Email: salesusa@meder.com
 Asia: +852 / 2955 1682 | Email: salesasia@meder.com

Item No.:
2500000126
 Item:
MS06/1-PP
floating magnet

Products for tomorrow...

Special Product Data	Conditions	Min	Typ	Max	Unit
Material of float		PP HF700SA, colour RAL 9004 (signal black)			
Float weight					g

Environmental data	Conditions	Min	Typ	Max	Unit
Safety class	DIN EN 60529			IP68	
Remarks 1.				medium: water	

Mag. values DIN IEC 60404-8-	Conditions	Min	Typ	Max	Unit
Energy product (B x H) max.		263	287		kJ/cu m
Remanence Br		1.170	1.240		mT
Revers. temp. coeff. of Br			-0,11		%/K
Coercivity HcB		876	947		kA/m
Coercivity HcJ		1.353			kA/m
Revers. temp. coeff. of HcJ			-0,58		%/K
Density		7,5	7,6		g/cu cm
Magnetic moment	inclusive of 5% tolerance				E-6 Vs*cm
Direction of Magnetization			axial		
Magnet Material		NdFeB, N35H, nickel plated			

General data	Conditions	Min	Typ	Max	Unit
Remarks		All details according to manufacturers information			