

TDR - TIME DELAY RELAYS

— FEATURES —

— BENEFITS —



WIDE TIME RANGE:	0.1 SECONDS TO 10 HOUR, 8 SCALES, FINE ADJUSTMENT WITH KNOB
AC / DC:	NO NEED TO SPECIFY AC OR DC (AC ONLY FOR 240)
ALL POPULAR VOLTAGES AVAILABLE:	12, 24, 120, 240
DUAL FUNCTION:	ON DELAY / INTERVAL OFF DELAY / RETRIGGERABLE ONE SHOT
INDICATOR LED'S:	GREEN SHOWS POWER ON RED SHOWS OUTPUT RELAY ENERGIZED
ELECTROMECHANICAL OUTPUT:	UP TO 12 AMPS PER POLE, DPDT
COMPACT SIZE:	36mm WIDE TO OPTIMIZE DIN RAIL SPACE
FITS INDUSTRY SOCKETS:	8 PIN OCTAL, 11 PIN OCTAL OR BLADES
ACCEPTS FLANGE ADAPTORS:	PANEL MOUNT OR DIN MOUNT WITH TERMINALS EXPOSED
REMOVABLE KNOB:	PREVENT TAMPERING, REMOVE KNOB TO EXPOSE RECESSED SCREWDRIVER SLOT

**MANUFACTURED
UNDER
ISO 9002
& QS 9000**



**TDRSRXB
TDRSOXB**

BLADES →
(QUICK CONNECT)

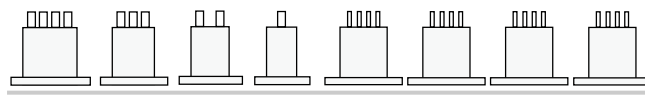


**TDRSRXP
TDRSOXP**

PINS →
(OCTAL BASE)



GENERAL SPECIFICATIONS



TIMING

Operating Modes Available: On delay / interval,
Off delay / retriggerable one shot

Timing Adjustments: 0.1 second to 10 hours

Timing Repeatability: ± 3% over temperature range
± 1% at constant voltage and temperature

CONTACTS

Contact Material: Silver alloy

Contact Rating: 12 amps 120/240 VAC 30 VDC
1/3 Hp @ 120 VAC, 1/2 Hp @ 240 VAC

Indicator LEDs: Green-power applied,
Red-output energized

INPUT

Voltage Range: 80% to 110% of nominal
12, 24, 120 VAC/VDC, 240 VAC

Power Consumption: 55 mA @ 12 V, 45 mA @ 24 V,
20 mA @ 120 V, 20 mA @ 240 V

Temperature Range (operate): - 20°C to +55°C

Transient Protection: Yes

Reverse Polarity Protection: Non polarity sensitive

DIELECTRIC STRENGTH

Across Contacts: 1,000 V rms minimum across open contacts

Between Input and Output: 1,500 V rms minimum contacts to coil

LIFE EXPECTANCY

Electrical: 100,000 minimum operations, full load

Mechanical: 10,000,000 minimum operations, no load

MISCELLANEOUS

Operating Position: Any

Enclosure: Polycarbonate dust cover

Mounting: 8 pin - octal
on delay / interval
11 pin - octal
off delay / retriggerable one shot
Square base 0.187 quick connects
on delay / interval
off delay / retriggerable one shot

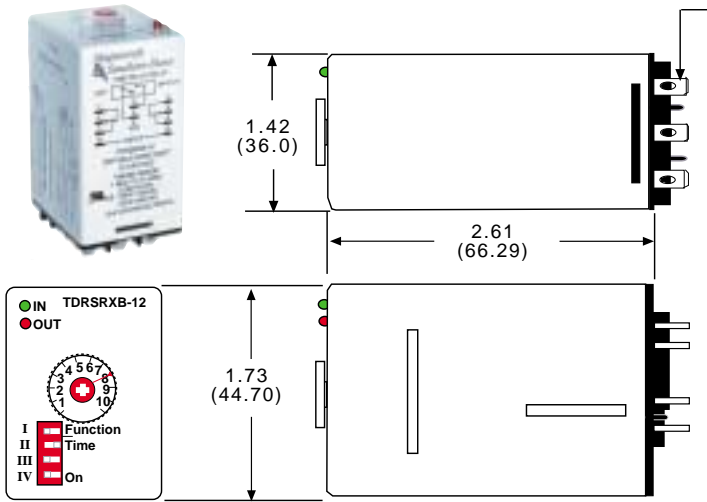
Weight: 90 grams approx.

TDR SERIES COMPACT TIME DELAY RELAYS



DPDT, 12 AMPS

SQUARE BASE

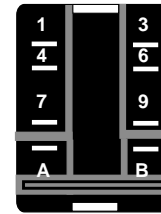


QUICK CONNECT/SOLDER TERMINALS

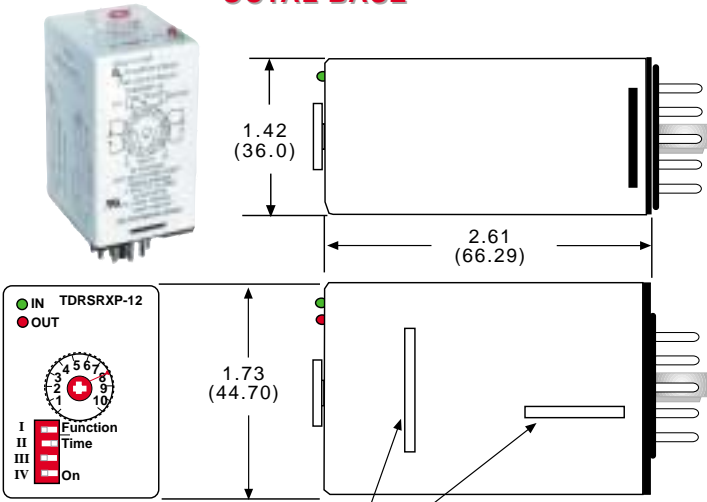
OFF-DELAY



ON-DELAY



OCTAL BASE



OFF-DELAY

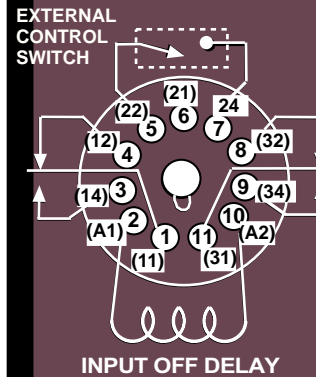
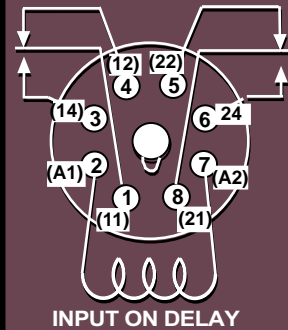
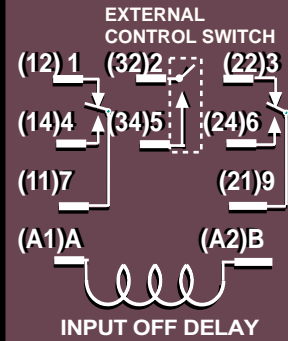
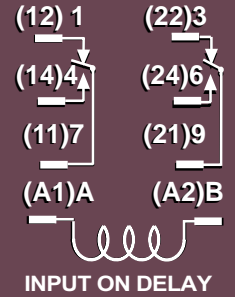


ON-DELAY



SLOTS TOP OR SIDE MOUNT BRACKET

WIRING DIAGRAM



ALTERNATE NEMA OR IEC () NUMBERS VIEWED FROM PIN SIDE

TOP OR SIDE MOUNT BRACKET ADAPTER



DIN ADAPTER 16-711C4



FLANGE ADAPTER 16-711C1



TDR SERIES COMPACT TIME DELAY RELAYS



STANDARD PART NUMBERS	CONTACT CONFIGURATION	NOMINAL INPUT VOLTAGE	MATING SOCKETS
8 PIN OCTAL BASE - ON DELAY / INTERVAL			
TDRSOXP-12	DPDT	12 VAC/VDC	70-464-1
TDRSOXP-24		24 VAC/VDC	
TDRSOXP-120		120 VAC/VDC	
TDRSOXP-240		240 VAC	
11 PIN OCTAL BASE - OFF DELAY /RETRIGGERABLE ONE SHOT			
TDRSRXP-12	DPDT	12 VAC/VDC	70-465-1
TDRSRXP-24		24 VAC/VDC	
TDRSRXP-120		120 VAC/VDC	
TDRSRXP-240		240 VAC	
8 BLADE SQUARE BASE - ON DELAY / INTERVAL			
TDRSOXB-12	DPDT	12 VAC/VDC	70-463-1
TDRSOXB-24		24 VAC/VDC	
TDRSOXB-120		120 VAC/VDC	
TDRSOXB-240		240 VAC	
10 BLADE SQUARE BASE - OFF DELAY / RETRIGGERABLE ONE SHOT			
TDRSRXB-12	DPDT	12 VAC/VDC	70-463-1
TDRSRXB-24		24 VAC/VDC	
TDRSRXB-120		120 VAC/VDC	
TDRSRXB-240		240 VAC	

COMPARE TO:

- IDEC RTE SERIES
- OMRON H3 SERIES
- P & B CN SERIES