

**SPDT & DPDT, 12 AMPS**

**FEATURES**

**5 TIMING FUNCTIONS, TIMING RANGES FROM 0.1 SECONDS TO 9,990 HOURS, UNIVERSAL VOLTAGE INPUT AND 12 AMP OUTPUT FOR HIGHER POWER APPLICATIONS**

**UNIVERSAL POWER SUPPLY ALLOWS FOR INPUT VOLTAGES FROM 24 TO 240 VDC OR VAC 50/60HZ.**

**CLASS "F" INSULATION SYSTEM**

**THUMB WHEEL ADJUSTMENTS FOR FUNCTION AND TIMING**

**RED L.E.D. LAMP INDICATOR**

**0.1 % ACCURACY USING A CRYSTAL CLOCK**

**MOUNTING CLIP ALLOWS FOR VARIED PANEL THICKNESSES,**

**BENEFITS**

FIVE FUNCTIONS - ONE PACKAGE

ONE PART FOR MOST VOLTAGES

12 AMPS CONTACT RATING

POSITIVE POSITION THUMB WHEEL ADJUSTMENT

STATUS L.E.D.

ACCURATE TIME, ALL THE TIME

PANEL CLIP INCLUDED

**UL**  
UL Recognized  
File No. E43641

**CE** PENDING

COMPLIES WITH REQUIREMENTS OF

- \* IEC STANDARDS 947-4-1 AND 947-5-1 LOW VOLTAGE DIRECTIVE
- \* IEC = INTERNATIONAL ELECTROTECHNICAL COMMISSION
- \* CE TESTING AND EVALUATION PERFORMED BY THE UNDERWRITERS LABORATORIES AS A THIRD PARTY PARTICIPANT

**MANUFACTURED UNDER ISO 9002 & QS 9000**

**GENERAL SPECIFICATIONS**

**TIMING**

Operating Modes Available: On delay, repeat, one shot, off delay & interval  
 Timing Adjustments: 0.1 second to 9,990 hours  
 Repeatability: 0.1%, (Internal crystal)  
 (Constant Voltage and Temperature)

**CONTACTS**

Contact Material: Silver cadmium oxide, gold flashed  
 Contact Rating: 12 amps @ 120 / 240 VAC, 30 VDC resistive  
 1/3 Hp @ 120 VAC 1/2 Hp @ 240 VAC

**INPUT**

Voltage Range: 24 to 240 VDC / VAC ± 15%, 50/60 Hz.  
 Temperature Range (Operate): -10°C to +55°C  
 Temperature Range (Storage): -40°C to +85°C  
 Transient Protection: Yes  
 Reverse Polarity Protection: Non polarity sensitive

**DIELECTRIC STRENGTH**

Between Output Poles: 1,500 V rms  
 Between Input and Output: 1,500 V rms

**LIFE EXPECTANCY**

Electrical: 100,000 operations  
 Mechanical: 10,000,000 operations

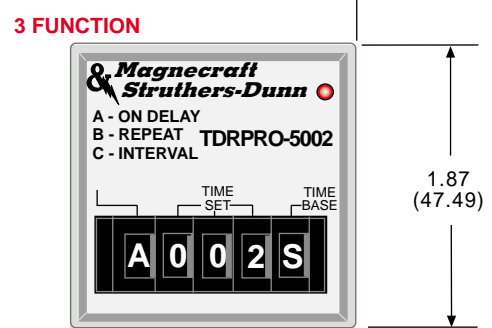
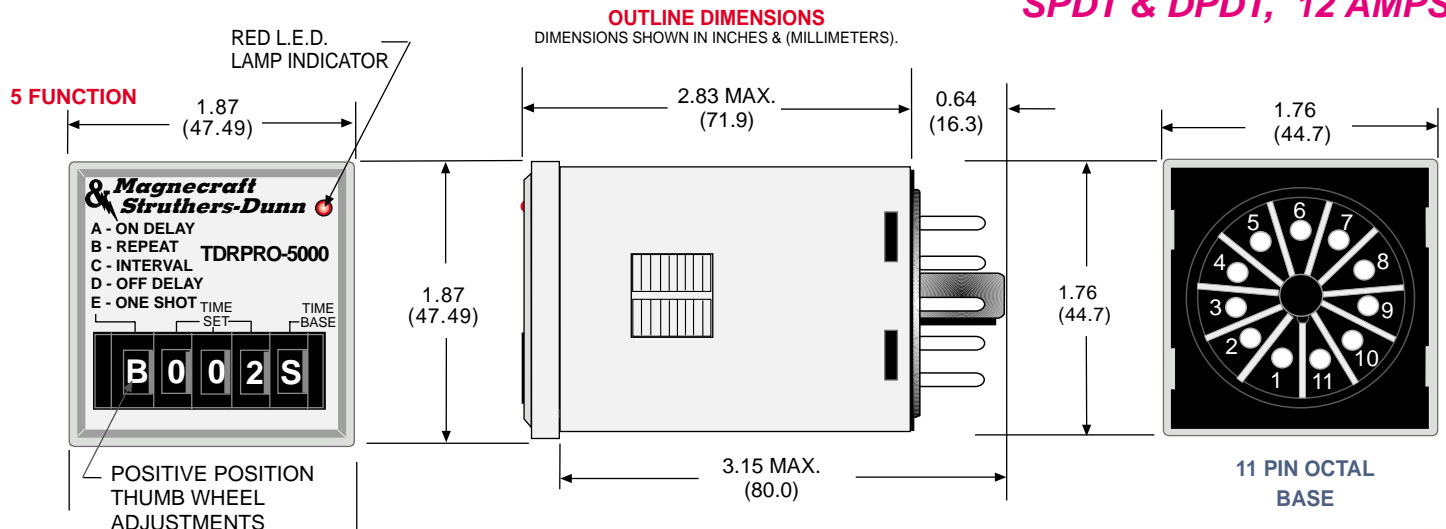
**MISCELLANEOUS**

Operating Position: Any  
 Enclosure: Gray polycarbonate  
 Mounting: 11 pin octal plug-in, 8 pin octal  
 1.8 x 1.8 (45 x 45) panel cutout  
 Weight: 122 grams approx.

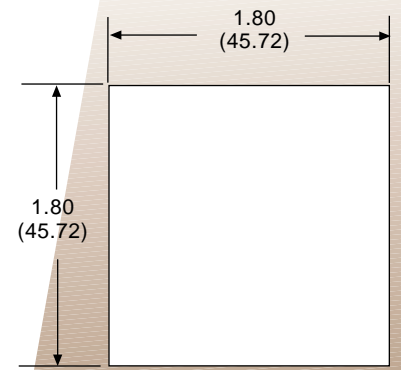


**Mating Sockets**  
**70-750D8-1, 70-750D11-1,**  
**70-464-1, 70-465-1: SCREW/DIN**  
**70-169-1, 70-170-1: SCREW/PANEL**  
 See section 8, page 7 - 12

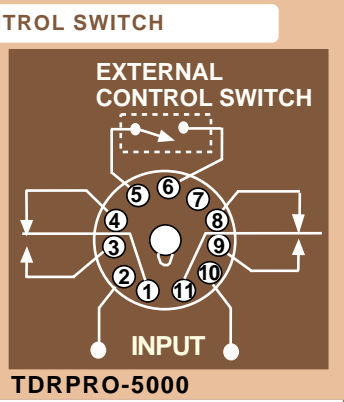
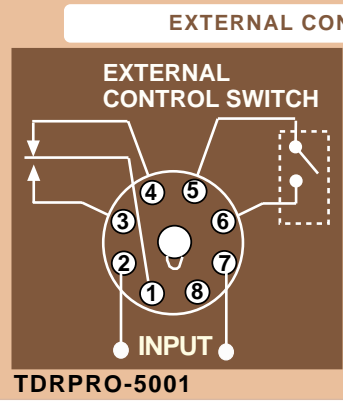
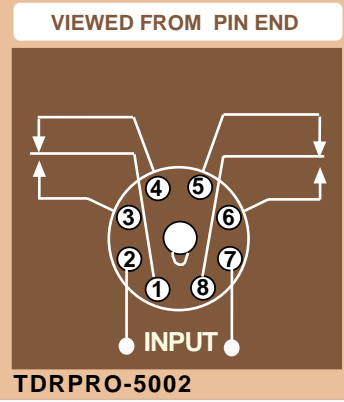
**SPDT & DPDT, 12 AMPS**



**PANEL CUTOUT**  
FOR PANEL MOUNTING



## WIRING DIAGRAMS



EXTERNAL SWITCH SHALL NOT BE CONNECTED TO ANY EXTERNAL LOAD OR VOLTAGE. DAMAGE TO INTERNAL COMPONENTS CAN OCCUR.



STANDARD PART NUMBERS	NOMINAL INPUT VOLTAGE	TIMING RANGE
<b>5 FUNCTION - 11 PIN</b>		
TDRPRO-5000	24-240 VAC 24-240 VDC	0.1 SECOND TO 9,990 HOURS
<b>5 FUNCTION - 8 PIN</b>		
TDRPRO-5001	24-240 VAC 24-240 VDC	0.1 SECOND TO 9,990 HOURS
<b>3 FUNCTION - 8 PIN</b>		
TDRPRO-5002	24-240 VAC 24-240 VDC	0.1 SECOND TO 9,990 HOURS