

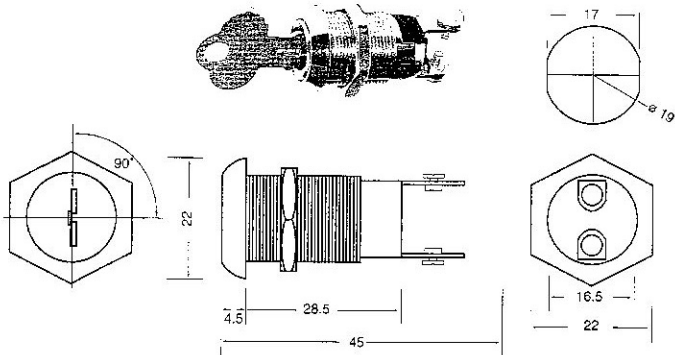
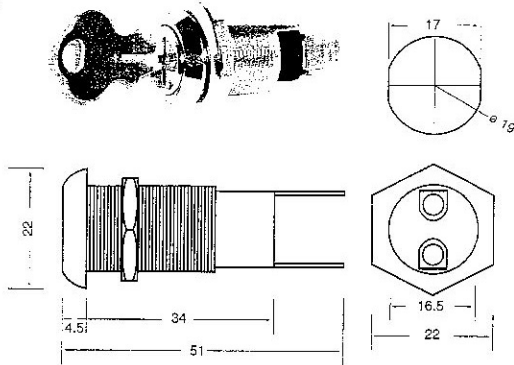
S-203 Single-pole Keylock

Zinc alloy die cast chrome plated housing and cylinder
11 blade criss cross tumblers. Double bitting key.
2 kinds of terminals available.

S203 Maintained contact screw terminal
S203A Maintained contact spade terminal
S203M Momentary contact screw terminal
S203MA Momentary contact spade terminal

Specifications

Contact Rating: 4A 125VAC, 2A 250VAC
Contact Resistance: 10 Milli-Ohms Max
Insulation Resistance: 500 Meg-Ohms Min (500 VDC)
Dielectric Strength: 1500 VAC - 1 Minute



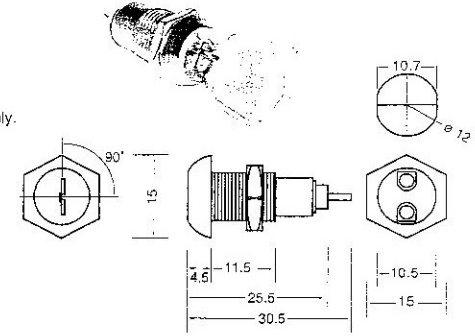
S-109 Single-pole Keylock

Zinc alloy die cast housing with bright stainless steel bezel
Brass keys. Nickel plated.
Silver plated contacts and terminals
Two positions (on-off)

S109B Key can be withdrawn at both "off" and "on" positions only.
20 combinations available

Specifications

Contact Rating: 1A 125VAC, 0.5A 250VAC
Contact Resistance: 10 Milli-Ohms Max
Insulation Resistance: 200 Meg-Ohms Min (500 VDC)
Dielectric Strength: 1000 VAC - 1 Minute



S-246 Single-pole Keylock

Zinc alloy die cast housing and cylinder
5-disk tumblers mechanism
Reversible double cut key. Brass Made. Nickel plated.
With dust shutter

Silver plated terminals and contacts
S246 2 positions (off-on). 2 terminals (off-on-type).
Used for alarms, security systems, garages, etc.
150 combinations available

Specifications

Contact Rating: 4A 125VAC, 2A 250VAC
Contact Resistance: 10 Milli-Ohms Max
Insulation Resistance: 500 Meg-Ohms Min (500 VDC)
Dielectric Strength: 1500 VAC - 1 Minute

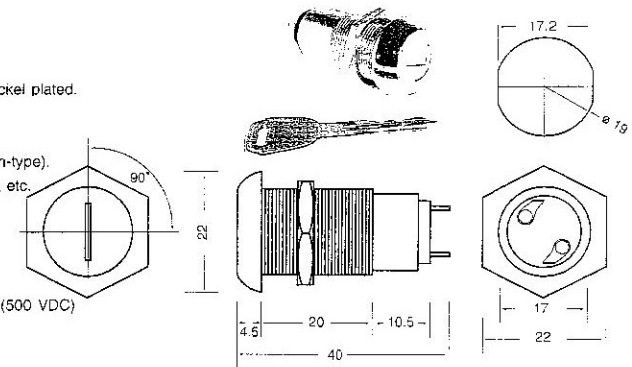


Figure No.	Lock Number	Pole	Positions	Terminals	Key Pulls	Turn	⌚ ⌚	Type
2	S109B-2	1	2	2	2	90°	Off On	SPST
1	S203-1	1	2	2	1	90°	Off On	SPST
2	S203-2	1	2	2	2	90°	Off On	SPST
1	S203A-1	1	2	2	1	90°	Off On	SPST
2	S203A-2	1	2	2	2	90°	Off On	SPST
1	S203M	1	2	2	1	90°	Off (On)	SPST
1	S203MA	1	2	2	1	90°	Off (On)	SPST
1	S246-1	1	2	2	1	90°	Off On	SPST
2	S246-2	1	2	2	2	90°	Off On	SPST
1	S246M	1	2	2	1	90°	Off On	SPST

