

crydom[®]

EL Series



The global expert in solid state switching technology


Sensata
Technologies

ABOUT US

Crydom, a brand of **Sensata Technologies** and global expert in Solid State Relay Technology, has a distinguished record of providing high quality, world class Solid State Relay and Control Products for a variety of heating, lighting, motion and power control applications. Crydom products, coupled with **unparalleled technical support, timely delivery and competitive pricing**, provide Crydom's clients with the innovative products and support necessary to succeed in today's competitive and fast paced global markets.

Crydom's extensive selection of standard off-the-shelf products is constantly being updated and expanded through its continuous improvement and aggressive new product development programs. Utilizing state of the art designs, materials and technology, Crydom offers a wide range of AC and DC output SSRs in industry standard Panel Mount, PCB Mount and DIN Rail packages, all **meeting global safety and standards agency requirements** such as CE, RoHS, UL, IEC, etc.

Bolstered by four decades of Solid State Relay operations experience, Crydom also specializes and encourages **adapted and fully custom-designed SSR products** for nearly any application where unique specifications and optimized performance are critical for success.

Crydom's modern purpose-built **100,000 square foot manufacturing facility** houses all aspects of its ISO certified operation including Design and Development Engineering, Manufacturing Operations and Quality Assurance, Customer Service, Finance, Marketing and General Management, permitting close coordination of all aspects of Crydom's activities. Applications Engineering and Sales support are both performed in the field to provide Crydom's Customers with the unparalleled technical and commercial support.

Following rigid design guidelines and standards, Crydom products have set the bench mark for SSR performance and reliability world wide. In addition to **award winning designs**, Crydom has acquired an impressive list of **patents** related to SSRs and Solid State Controls, while continuing to develop new circuit and technology-related inventions as part of **extensive R&D programs**.

To learn more about Crydom SSR technology and products, or how an alliance with Crydom can contribute to the success of your project, visit **www.crydom.com** or contact your authorized Crydom Distributor or Crydom Customer Service Representative today.

EL SERIES COMPACT PANEL MOUNTED SSRS

EL Series AC Output SSRs

Crydom's **EL Series** of Compact Panel Mounted SSRs includes AC output models featuring SCRs rated at 10 or 30 Arms (with heat sinking) in a 40 °C ambient, from 24 to 280 VAC in either instantaneous or zero voltage turn on versions. Designed with high surge current ratings and low off state leakage current, the **EL Series** is housed in a compact 21 wide x 35 mm long mini-puck package with polarized quick connect terminals. The **EL Series** AC output models offer 3750 VAC optically isolated logic compatible 5, 12 or 24 VDC input control ratings.

Flexible Control of DC Load

The **EL Series** DC output models feature low dissipation FETs rated at 10 Amps (with heat sinking) at 40°C, from 3 to 100 VDC. The FET outputs offer low minimum load requirements for high impedance loads, high surge current ratings and low off state leakage. Housed in the same compact 21 x 35 mm package with polarized quick connect terminals, the DC Output **EL Series** SSRs offer 2500 VAC optically isolated logic compatible 5, 12 or 24 VDC input control ratings.

EL Series SSRs are RoHS, China RoHS & CE compliant, UL & cUL recognized and TUV certified, making them ideal for heating, lighting and motion control applications where compact high power Solid State Switching is desirable for Reliability and Long Life.

For more information, technical support or questions about the Crydom **EL Series** Solid State Relays or other Crydom products, contact your nearest Crydom Distributor, Representative or Local Crydom Sales Office, or visit our website at www.crydom.com.



EL Series AC Output Panel Mount SSRs

- Compact 21 mm wide mini-puck panel mount package
- Ratings of 10A & 30A @ 24 to 280 VAC
- 5, 12 & 24 VDC control options available
- LED input status indicator
- Thermal pad included
- Zero-Voltage Turn-On or Instantaneous Turn-On output
- UL & cUL Recognized, CE & RoHS Compliant, TUV Certified



Output Specifications (A)

	10 A	30 A
Operating Voltage Range (47-63 Hz) [Vrms]		24-280
Transient Overvoltage [Vpk] (B)		600
Maximum Off-State Leakage Current @ Maximum Operating Voltage [mAms]		0.1
Minimum Off-State dv/dt @ Maximum Rated Voltage [V/μsec]		500
Minimum Load Current [mAms]	150	250
1 Cycle Surge Current (50/60 Hz) [Apk]	145 / 150	260 / 280
Maximum I _t for Fusing (50/60 Hz, 1/2 cycle) [A ² sec]	100 / 95	338 / 326
Maximum On-State Voltage Drop @ Rated Current [Vpk]		1.3
Minimum Power Factor (with Maximum Load) (C)		0.7
Thermal Resistance Junction to Case (R _{jc}) [°C/W]	3	0.9
UL 508 Resistive Load @ Rated Voltage [A] (D)	10	30

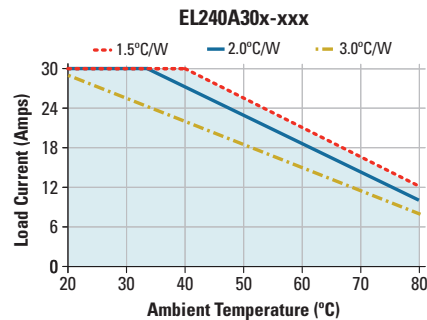
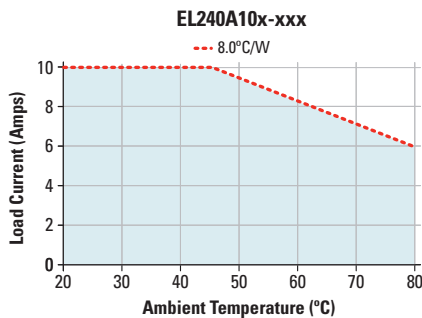
Input Specifications (A)

	EL240Axx-05	EL240Axx-12	EL240Axx-24
Nominal Control Voltage [VDC]	5	12	24
Control Voltage Range [VDC]	4-8	10-14	21-27
Minimum Turn-On Voltage [VDC]	4	10	21
Must Turn-Off Voltage [VDC]		1	
Typical Input Current @ Nominal Control Voltage [mA]	8.5	9.2	5.9
Nominal Input Impedance [Ohm]	470	1.2k	3.9k
Maximum Turn-On Time [msec] (E)		1/2 Cycle	
Maximum Turn-Off Time [msec]		1/2 Cycle	

General Specifications (A)

	Parameters
Dielectric Strength, Input to Output (50/60 Hz) [Vrms]	3750
Dielectric Strength, Output to Baseplate (50/60 Hz) [Vrms]	2500
Maximum Capacitance, Input to Output [pF]	8
Ambient Operating Temperature Range [°C]	-30 to 80
Ambient Storage Temperature Range [°C]	-30 to 125
Weight (typical) [oz] (g)	0.5 (14.4)
Terminal type / size [in] (mm)	Quick Connect / 0.187 (4.75) input, 0.25 (6.35) output

Derating Curves (F)



General Notes

(A) All parameters at 25°C unless otherwise specified.

(B) In models with built-in overvoltage protection ("P" option), the output will self-trigger between 450-600 Vpk, not suitable for capacitive loads.

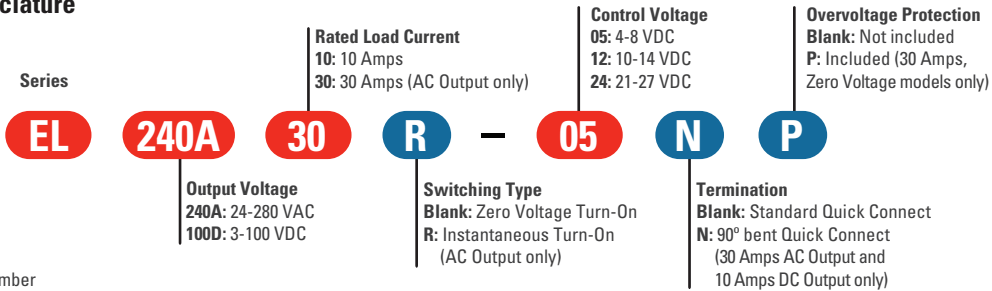
(C) For option P minimum power factor (at maximum load) is 0.9.

(D) Heat sink required, see derating curves.

(E) Turn-On time for Instantaneous Turn-On versions is 0.02 msec.

(F) 100% Duty Cycle.

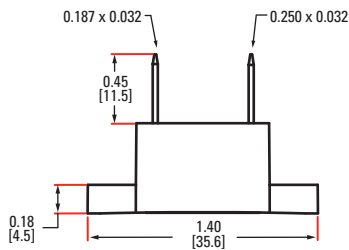
Part Number Nomenclature



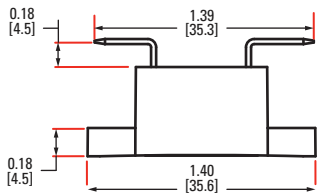
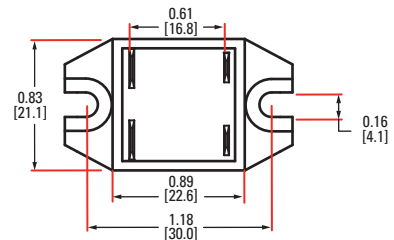
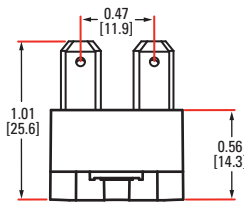
- Required for valid part number
- For options only and not required for valid part number

Mechanical Dimensions

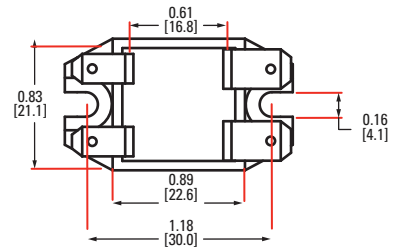
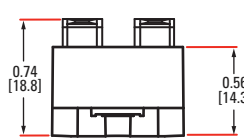
Tolerances: ±0.02 in / 0.5 mm
 All dimensions are in: inches [millimeters]



Standard Quick Connect terminals

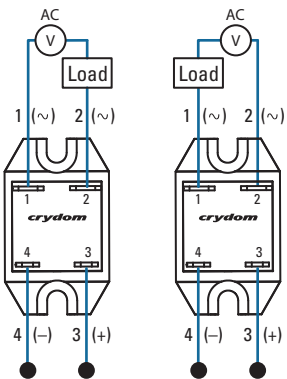


90° bent Quick Connect terminals

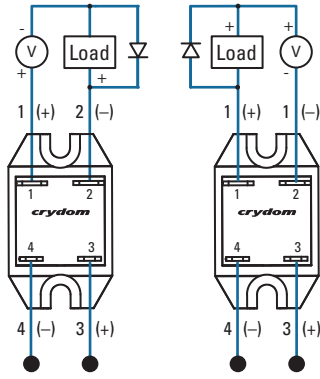


Wiring Diagram (G,H)

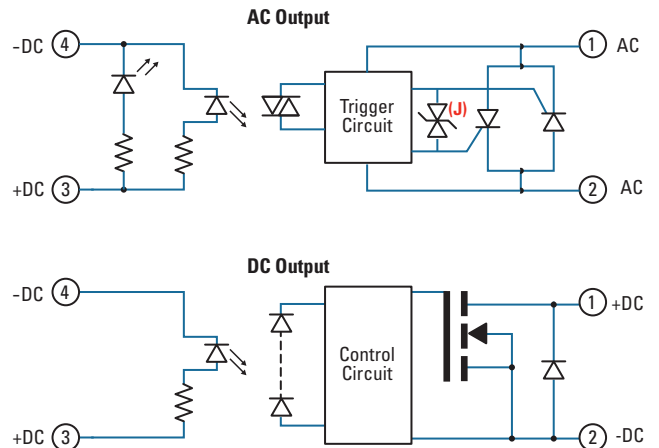
AC Output



DC Output



Block Diagram



AC Pinout

Terminal 1: AC Load
Terminal 2: AC Load
Terminal 3: DC Control (+)
Terminal 4: DC Control (-)

DC Pinout

Terminal 1: DC Load (+)
Terminal 2: DC Load (-)
Terminal 3: DC Control (+)
Terminal 4: DC Control (-)

General Notes

- (G) For AC loads, the AC line can be wired to either terminal 1 or terminal 2. For DC loads, the proper polarity must be observed for the power supply and load with terminal 1 being positive with respect to terminal 2.
- (H) DC inductive loads must be diode suppressed.
- (J) Elective Overvoltage Protection, "P" option.



EL Series DC Output Panel Mount SSRs

- Compact 21 mm wide mini-puck panel mount package
- Ratings of 10A @ 3 to 100 VDC
- 5, 12 & 24 VDC control options available
- Thermal pad included
- MOSFET Output
- UL & cUL Recognized, CE & RoHS Compliant, TUV Certified



Output Specifications (A,H)

10 A

Operating Voltage Range [VDC]	3-100
Minimum Load Current [mADC]	20
Maximum Surge Current Non-Repetitive (10ms) [A]	100
Maximum Off-State Leakage Current @ Rated Voltage [μ ADC]	100
Maximum On-State Resistance @ Rated Current (Rds-on) [Ohm]	0.02
Maximum On-State Voltage Drop @ Rated Current [V]	0.25
UL 508 Resistive Load @ Rated Voltage [A] (D)	10

Input Specifications (A)

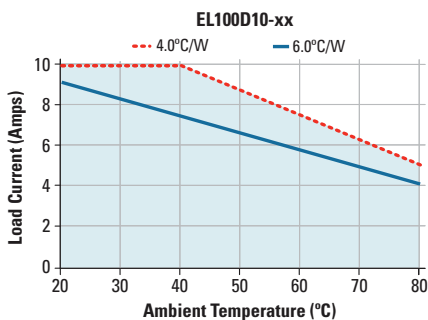
	EL100Dxx-05	EL100Dxx-12	EL100Dxx-24
Nominal Control Voltage [VDC]	5	12	24
Control Voltage Range [VDC]	4-8	10-14	21-27
Minimum Turn-On Voltage	4	10	21
Must Turn-Off Voltage	0.5	1	2
Typical Input Current @ Nominal Control Voltage [mA]	13.3	11.7	11.5
Nominal Input Impedance [Ohm]	300	940	2k
Maximum Turn-On Time [msec]		1	
Maximum Turn-Off Time [μ sec]		300	

General Specifications (A)

Parameters

Dielectric Strength, Input/Output/Base (50/60 Hz) [Vrms]	2500
Ambient Operating Temperature Range [°C]	-30 to 80
Ambient Storage Temperature Range [°C]	-30 to 125
Weight (typical) [oz] (g)	0.5 (14.4)
Terminal type / size [in] (mm)	Quick Connect / 0.187 (4.75) input, 0.25 (6.35) output

Derating Curves (F)



General Notes

- (A) All parameters at 25°C unless otherwise specified.
- (D) Heat sink required, see derating curves.
- (F) 100% Duty Cycle.
- (H) DC inductive loads must be diode suppressed.

crydom[®]

AMERICAS



United States & Canada

2475 Paseo de las Americas
5014 San Diego, CA 92154

Sales Support

Tel.: +1 (877) 502 5500
Fax: +1 (619) 210 1590
sales@crydom.com

Technical Support

Tel.: +1 (877) 702 7700
support@crydom.com

Southern & Central American Countries

Tel.: +1 (877) 502 5500
Fax: +1 (619) 210 1590
sales@crydom.com

EUROPE, MIDDLE EAST & AFRICA



United Kingdom

Everdene House, Deansleigh Road
Wessex Fields, Bournemouth,
Dorset BH7 7DU

Sales Support

Tel.: +44 (0) 1202 416170
Fax: +44 (0) 1202 416171
sales-europe@crydom.com

Technical Support

support-europe@crydom.com

Austria & Switzerland

Tel.: +44 (0) 1202 416170
Fax: +44 (0) 1202 416171
vertrieb@crydom.com

Belgium

Tel.: +32 (0) 2460 4413
Fax: +44 (0) 1202 416171
sales-europe@crydom.com

France

Tel.: +33 (0) 1707 91389
Fax: +44 (0) 1202 416171
sales-europe@crydom.com

Germany

Tel.: +49 (0) 180 3000 506
Fax: +44 (0) 1202 416171
vertrieb@crydom.com

Italy

Tel.: +39 (0) 2360 26567
Fax: +44 (0) 1202 416171
sales-europe@crydom.com

Spain

Tel.: +34 902 876 217
Fax: +44 (0) 1202 416171
sales-europe@crydom.com

Netherlands

Tel.: +31 (0) 71 582 0068
Fax: +44 (0) 1202 416171
sales-europe@crydom.com

Middle East, Africa & Other European Countries

Tel.: +44 (0) 1202 416170
Fax: +44 (0) 1202 416171
sales-europe@crydom.com

ASIA



Great China

30th Floor
BM Intercontinental Biz Centre,
100 Yutong Road, JingAn District
Shanghai 200070

Sales Support

Tel.: +86 (21) 2306 1648
Fax: +86 (21) 230601
sales-cn@crydom.com

Technical Support

support-cn@crydom.com

South Korea

7th floor of U-space 2, A Building
670 Daewangpangyo-Ro
Bundang-Gu
Seongnam-Si Gyeonggi-Do
South Korea, 463-400
Tel.: +82 31 601 2088
Fax: +82 31 601 2099
sales-cn@crydom.com

India and South East Asia Pacific

Level 9, Raheja Towers
M. G. Road
Bangalore, 560 001
India
Tel.: +91 80 67920879
sales-cn@crydom.com

© 2011 Crydom Inc., All Rights Reserved.

Specifications are subject to change without prior notice.
Crydom and the Crydom logo are registered trademarks
of Crydom Inc.

10/2016

CAT/CR/EL/EN

Distributed by :