

# EL series

**crydom**<sup>®</sup>

## The MINI PUCK SSR is back with greater power

### Improved mechanical design for limited space applications

The new EL Series AC and DC solid state relays offer the highest current rating up to 30 Amps in a mini-puck housing and a versatile 90° bent terminals design option for optimal space use.



#### Higher current rating (up to 30 Amps)

Improved mechanical design

#### Pre-installed Thermal Pad

Input LED Indicator

#### Housing meets requirements of IEC60335-1 (Safety of Household Appliances)

Optional Built-in Overvoltage Protection



New option with  
90° bent terminals!





An innovative housing and quick connect terminals make it an ideal option for space demanding applications, especially but not limited to household appliances, professional food equipment and medical machines



AC OUTPUT

- 10 & 30 Amps @ 24-280 VAC
- 5, 12 and 24 VDC control input options
- Zero voltage or instantaneous turn-on output
- LED input status indicator
- Optional built-in overvoltage protection
- Pre-installed thermal pad

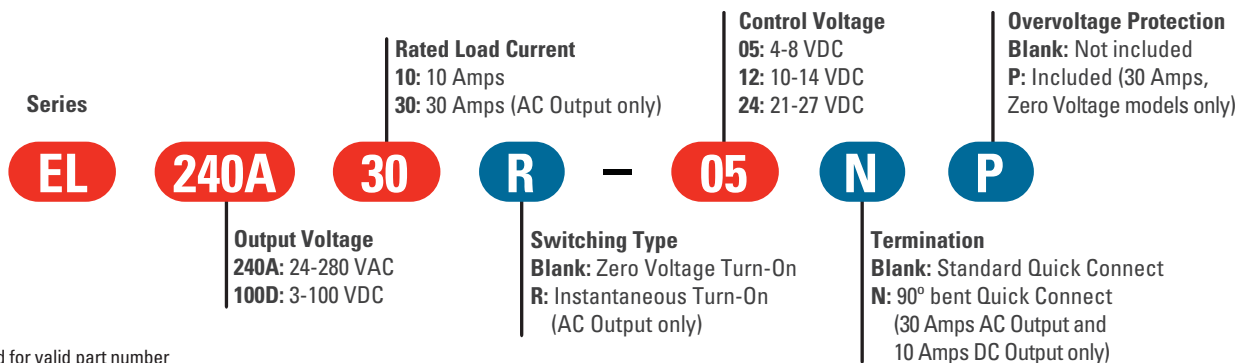


DC OUTPUT

- 10 Amps @ 3-100 VDC
- 5, 12 and 24 VDC control input options
- Low dissipation Mosfet output
- Pre-installed thermal pad



## PART NUMBER NOMENCLATURE



- Required for valid part number
- For options only and not required for valid part number

Questions?  
Call or e-mail:  
HQ/CR/EL/EN Rev.101116

America Tel.: +1 (877) 502 5500  
e-mail: sales@crydom.com

EMEA Tel.: +44 (0) 1202 416170  
e-mail: sales-europe@crydom.com

Asia Tel.: +86 (21) 2306 1648  
e-mail: sales-cn@crydom.com