

# AZ973

## 40 AMP MINI-ISO AUTOMOTIVE RELAY

### FEATURES

- Quick connect terminals
- 40 Amp contact rating
- High momentary carry current (60A)
- High operating temperature (110°C)
- SPST (1 Form A), SPDT (1 Form C)
- Epoxy sealed versions available
- Metal or plastic mounting bracket available
- Resistor or diode parallel to coil available
- ISO/TS 16949, ISO14000
- Tested in accordance with SAE J2544



### CONTACTS

<b>Arrangement</b>	SPST (1 Form A) SPDT (1 Form C)
<b>Ratings</b>	Resistive load: Max. switched power: 560 W (SPST) 560 W (N.O.) 420 W (N.C.) Max. switched current: 40 A (SPST) 40 A (N.O.) 30 A (N.C.) Max. switched voltage: 75 VDC
<b>Material</b>	Silver tin oxide
<b>Resistance</b>	< 100 milliohms initially (6 V, 1 A voltage drop method)

### COIL

<b>Power At Pickup Voltage (typical)</b>	0.68 W
<b>Max. Continuous Dissipation</b>	5.1 W at 20°C (68°F)
<b>Temperature Rise</b>	52°C (94°F) at nominal coil voltage
<b>Temperature</b>	Max. 155°C (311°F)

### NOTES

1. All values at 20°C (68°F).
2. Relay may pull in with less than "Must Operate" value.
3. Specifications subject to change without notice.

### GENERAL DATA

<b>Life Expectancy</b> <b>Mechanical</b> <b>Electrical</b>	Minimum operations 1 x 10 <sup>7</sup> 1 x 10 <sup>5</sup> at 40 A 14 VDC Res.
<b>Operate Time (max.)</b>	7 ms at nominal coil voltage
<b>Release Time (max.)</b>	5 ms at nominal coil voltage
<b>Dielectric Strength (at sea level for 1 min.)</b>	500 Vrms coil to contact 500 Vrms contact to contact
<b>Insulation Resistance</b>	100 megohms min. at 500 VDC, 20°C 50% RH
<b>Dropout</b>	Greater than 10% of nominal coil voltage
<b>Ambient Temperature</b> <b>Operating</b> <b>Storage</b>	-55°C (-67°F) to 110°C (230°F) -55°C (-67°F) to 155°C (311°F)
<b>Vibration</b>	0.062" DA at 10-40 Hz
<b>Shock</b>	100 m/s <sup>2</sup>
<b>Enclosure</b>	P.B.T. polyester
<b>Terminals</b>	Tinned copper alloy 0.25 Quick Connect Note: Allow suitable slack on leads when wiring, and do not subject the terminals to excessive force.
<b>Weight</b>	31 grams



**AMERICAN ZETTLER, INC.**

[www.azettler.com](http://www.azettler.com)

75 COLUMBIA • ALISO VIEJO, CA 92656 • PHONE: (949) 831-5000 • FAX: (949) 831-8642 • E-MAIL: SALES@AZETTLER.COM

11/14/05W

# AZ973

## RELAY ORDERING DATA

COIL SPECIFICATIONS			
Nominal Coil VDC	Must Operate VDC	Max. Continuous VDC	Coil Resistance $\pm 10\%$
6	3.9	10.6	22
12	7.8	21.0	85
24	15.6	42.2	350

## RELAY ORDERING DATA

### AZ973-1C-12DC2R1

- Blank - Standard no diode, no resistor
- R1 - 680 Ohm,  $\frac{1}{2}$  w resistor in parallel with 12 V coil  
2700 Ohm  $\frac{1}{2}$  w resistor in parallel with 24 V coil
- R2 - 820 Ohm,  $\frac{1}{2}$  w resistor in parallel with 12 V coil  
3200 Ohm  $\frac{1}{2}$  w resistor in parallel with 24 V coil
- D1 - 1N4007 diode in parallel with coil, anode on #86 terminal
- D2 - 1N4007 diode in parallel with coil, cathode on #86 terminal
- D3 - 1N4004 diode in parallel with coil, anode on #86 terminal
- D4 - 1N4004 diode in parallel with coil, cathode on #86 terminal
- C1 - Plastic dust cover with steel mounting bracket
- C1E - Plastic dust cover with steel mounting bracket, sealed
- C2 - Plastic dust cover with plastic mounting bracket
- C2E - Plastic dust cover with plastic mounting bracket, sealed
- C3 - Plastic dust cover
- C3E - Plastic dust cover, sealed
- C4 - Plastic dust cover, shrouded, sealed, with metal mounting bracket
- 24D - 24 volt coil
- 12D - 12 volt coil
- 6D - 6 volt coil
- 1A - SPNO Single pole normally open
- 1C - SPDT Single pole double throw
- Basic series designation - AZ973



**AMERICAN ZETTLER, INC.**

[www.azettler.com](http://www.azettler.com)

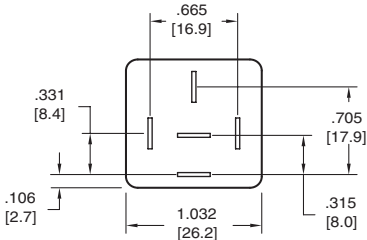
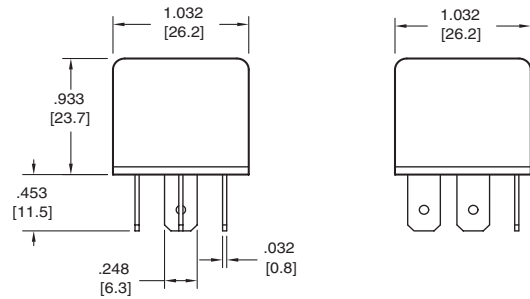
75 COLUMBIA • ALISO VIEJO, CA 92656 • PHONE: (949) 831-5000 • FAX: (949) 831-8642 • E-MAIL: SALES@AZETTLER.COM

11/14/05W

# AZ973

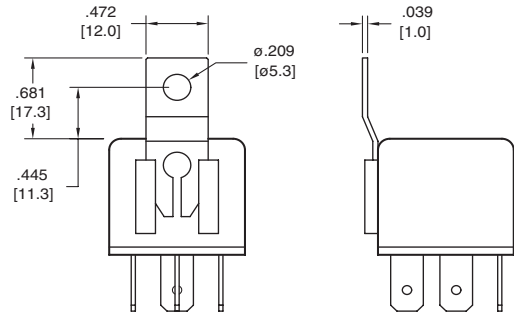
## MECHANICAL DATA

### Version C3

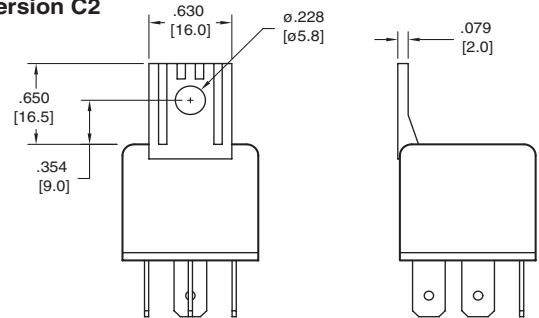


Note:  
Dimensions shown for Version C3  
are typical for all other versions

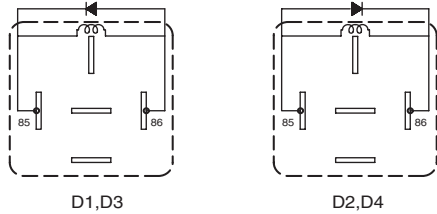
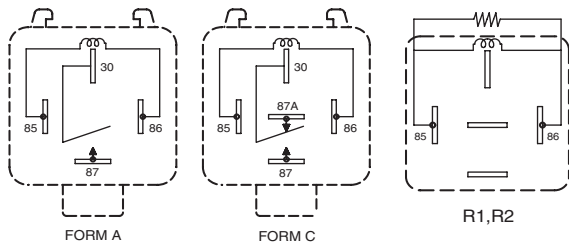
### Version C1



### Version C2

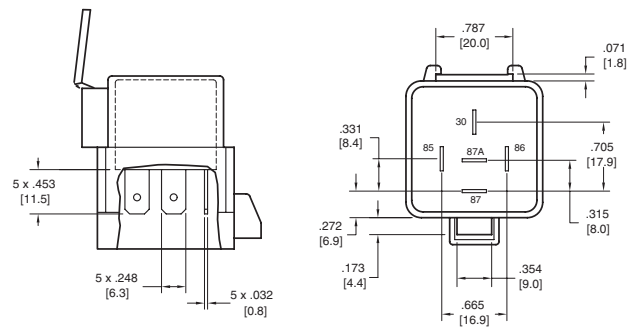
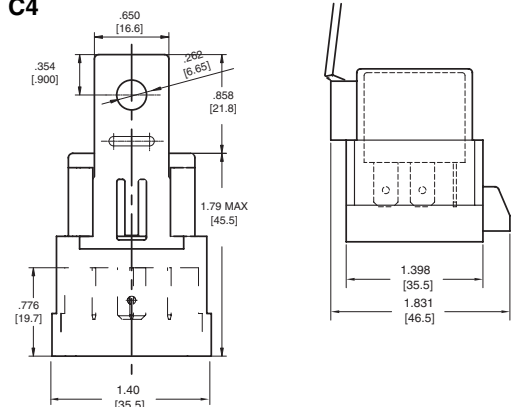


## WIRING DIAGRAMS



Viewed Toward Terminals

### Version C4



Connector for use with Version C4- Connectors to mate with AZ973 relay with the version C4 cover are available from Delphi Connection Systems ([www.delphiconnect.com](http://www.delphiconnect.com)). (Typical Delphi part number is 12065685)

Dimensions in inches with metric equivalents in parentheses. Tolerance:  $\pm .010$ "



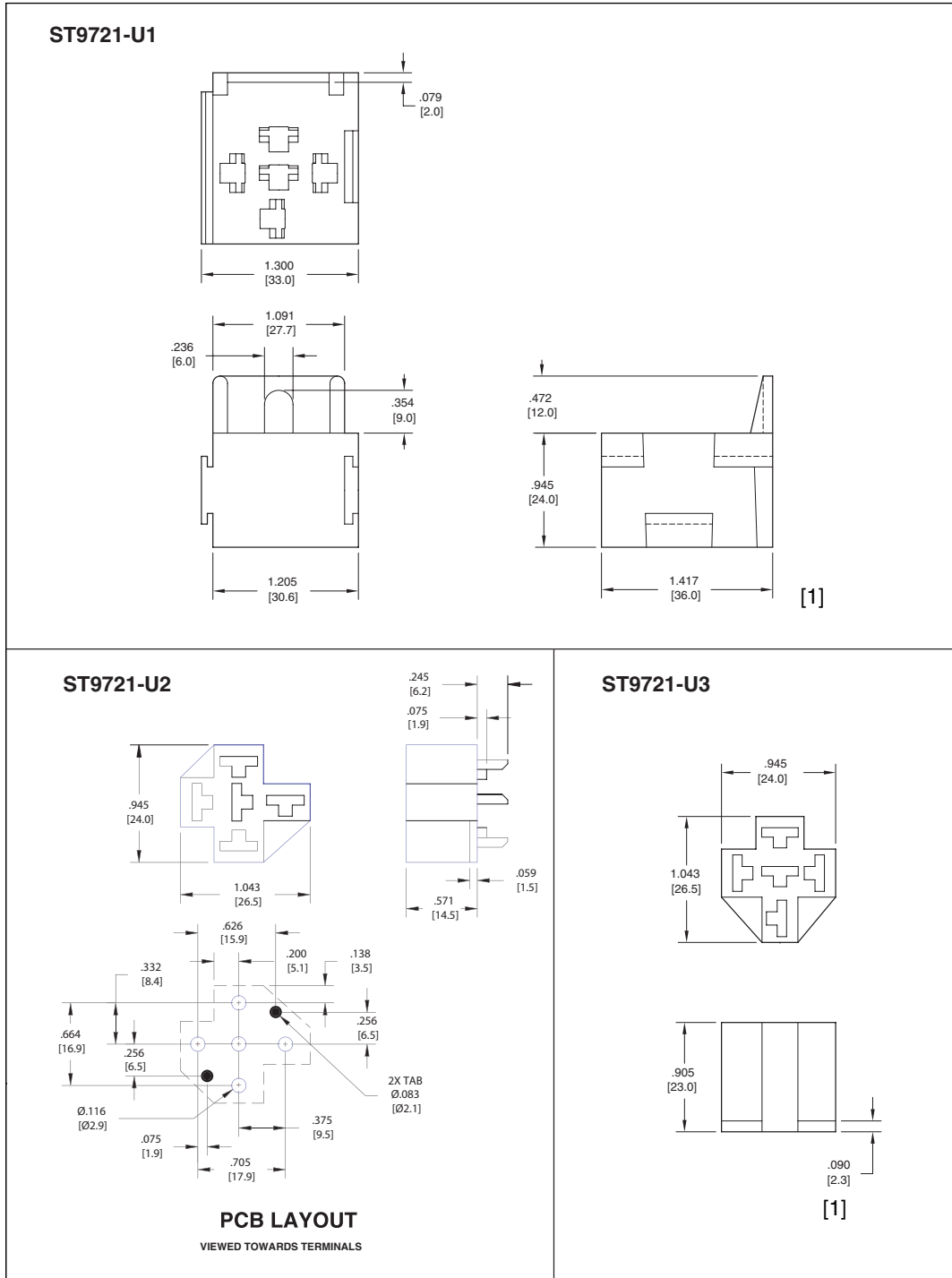
**AMERICAN ZETTLER, INC.**

[www.azettler.com](http://www.azettler.com)

75 COLUMBIA • ALISO VIEJO, CA 92656 • PHONE: (949) 831-5000 • FAX: (949) 831-8642 • E-MAIL: SALES@AZETTLER.COM

11/14/05W

## Sockets & Hardware for AZ973



[1] Recommended receptical connector Amp Part numbers are 5-160558-9 or 5-1605-26-9



# AZ974

## 40 AMP MINI-ISO AUTOMOTIVE RELAY

### FEATURES

- PCB terminals
- 40 Amp contact rating
- High carry current (60A)
- High momentary surge current (120A)
- High operating temperature (125°C)
- Resistor or diode parallel to coil available
- Epoxy sealed versions available
- SPST (1 Form A), SPDT (1 Form C)
- ISO/TS 16949, ISO9001, ISO14000
- Tested in accordance with SAE J2544



### CONTACTS

<b>Arrangement</b>	SPST (1 Form A) SPDT (1 Form C)
<b>Ratings</b>	Resistive load: Max. switched power: 560 W (SPST) 560 W (N.O.) 420 W (N.C.) Max. switched current: 40 A (SPST) 40 A (N.O.) 30 A (N.C.) Max. switched voltage: 75 VDC
<b>Material</b>	Silver tin oxide
<b>Resistance</b>	< 100 milliohms initially (6V, 1 A voltage drop method)

### COIL

<b>Power</b>	
At Pickup Voltage (typical)	0.68 W
Max. Continuous Dissipation	4.8 W at 20°C (68°F)
Temperature Rise	75°C (113°F) at nominal coil voltage
<b>Temperature</b>	Max. 200°C (392°F)

### NOTES

1. All values at 20°C (68°F).
2. Relay may pull in with less than "Must Operate" value.
3. Specifications subject to change without notice.

### GENERAL DATA

<b>Life Expectancy</b> Mechanical Electrical	Minimum operations 1 x 10 <sup>7</sup> 1 x 10 <sup>5</sup> at 40 A 14 VDC Res.
<b>Operate Time (max.)</b>	10 ms at nominal coil voltage
<b>Release Time (max.)</b>	10 ms at nominal coil voltage
<b>Dielectric Strength (at sea level for 1 min.)</b>	500 Vrms coil to contact 500 Vrms contact to contact
<b>Insulation Resistance</b>	100 megohms min. at 500 VDC, 20°C 50% RH
<b>Dropout</b>	Greater than 10% of nominal coil voltage
<b>Ambient Temperature</b> Operating Storage	-55°C (-67°F) to 125°C (257°F) -55°C (-67°F) to 200°C (392°F)
<b>Vibration</b>	0.062" DA at 10-40 Hz
<b>Shock</b>	10 g
<b>Enclosure</b>	P.B.T. polyester
<b>Terminals</b>	Tinned copper alloy, P.C.
<b>Max. Solder Temp.</b>	270°C (518°F)
<b>Max. Solder Time</b>	5 seconds
<b>Max Solvent Temp.</b>	80°C (176°F)
<b>Max Immersion Time</b>	30 seconds
<b>Weight</b>	31 grams



**AMERICAN ZETTLER, INC.**

[www.azettler.com](http://www.azettler.com)

75 COLUMBIA • ALISO VIEJO, CA 92656 • PHONE: (949) 831-5000 • FAX: (949) 831-8642 • E-MAIL: SALES@AZETTLER.COM

1/24/06W

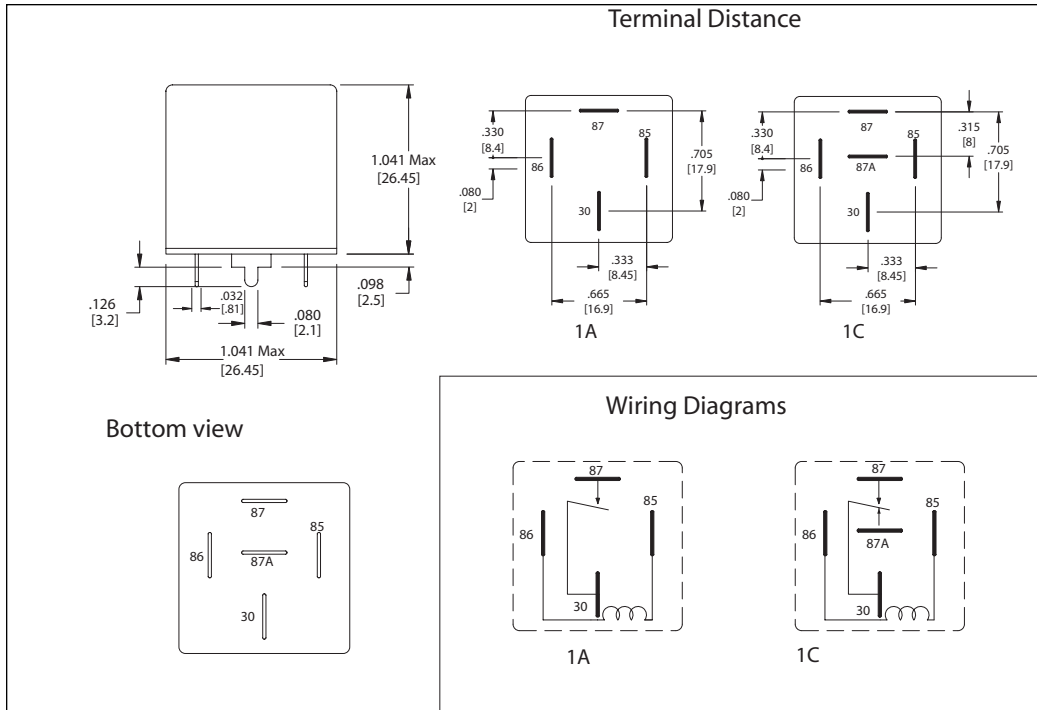
# AZ974

## RELAY ORDERING DATA

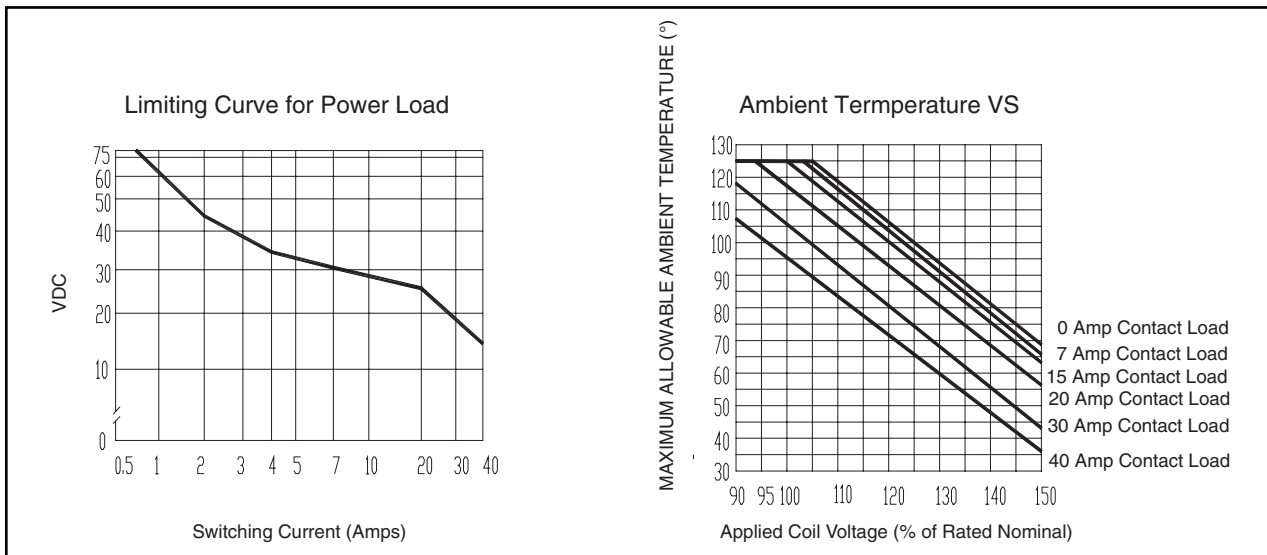
COIL SPECIFICATIONS				ORDER NUMBER*	
Nominal Coil VDC	Must Operate VDC	Max. Continuous VDC	Coil Resistance $\pm 10\%$	SPST	SPDT
6	3.9	10.1	22	AZ974-1A-6D	AZ974-1C-6D
12	7.8	20.2	85	AZ974-1A-12D	AZ974-1C-12D
24	15.6	40.5	350	AZ974-1A-24D	AZ974-1C-24D

\*Add suffix "E" for epoxy sealed version. Add suffix "R" for resistor across coil (6V=180 ohms, 12V=680 ohms, 24V=2700 ohms). Add suffix D1 for diode across coil (anode on #86) or suffix D2 for diode across coil (anode on #85).

## MECHANICAL DATA



Dimensions in inches with metric equivalents in parentheses. Tolerance:  $\pm .010"$



**AMERICAN ZETTLER, INC.**

[www.azettler.com](http://www.azettler.com)

75 COLUMBIA • ALISO VIEJO, CA 92656 • PHONE: (949) 831-5000 • FAX: (949) 831-8642 • E-MAIL: SALES@AZETTLER.COM

## OEM Price List

## AZ973/974 Series

29-November 2006

Std Pkg	Part Number	'1-49'	50-99	100-499	500-999	1000
40	AZ973-1A-6DC1	4.20	2.81	2.11	1.75	1.55
40	AZ973-1A-12DC1	4.20	2.81	2.11	1.75	1.55
40	AZ973-1A-24DC1	4.20	2.81	2.11	1.75	1.55
40	AZ973-1A-6DC1-D1	4.41	2.95	2.21	1.84	1.63
40	AZ973-1A-12DC1-D1	4.41	2.95	2.21	1.84	1.63
40	AZ973-1A-24DC1-D1	4.41	2.95	2.21	1.84	1.63
40	AZ973-1A-6DC1-D2	4.38	2.93	2.20	1.83	1.62
40	AZ973-1A-12DC1-D2	4.38	2.93	2.20	1.83	1.62
40	AZ973-1A-24DC1-D2	4.38	2.93	2.20	1.83	1.62
40	AZ973-1A-6DC1-D3	4.38	2.93	2.20	1.83	1.62
40	AZ973-1A-12DC1-D3	4.38	2.93	2.20	1.83	1.62
40	AZ973-1A-24DC1-D3	4.38	2.93	2.20	1.83	1.62
40	AZ973-1A-6DC1-D4	4.38	2.93	2.20	1.83	1.62
40	AZ973-1A-12DC1-D4	4.38	2.93	2.20	1.83	1.62
40	AZ973-1A-24DC1-D4	4.38	2.93	2.20	1.83	1.62
40	AZ973-1A-6DC1-R1	4.50	3.01	2.26	1.88	1.66
40	AZ973-1A-12DC1-R1	4.50	3.01	2.26	1.88	1.66
40	AZ973-1A-24DC1-R1	4.50	3.01	2.26	1.88	1.66
40	AZ973-1A-6DC1-R2	4.50	3.01	2.26	1.88	1.66
40	AZ973-1A-12DC1-R2	4.50	3.01	2.26	1.88	1.66
40	AZ973-1A-24DC1-R2	4.50	3.01	2.26	1.88	1.66
40	AZ973-1A-6DC2	4.20	2.81	2.11	1.75	1.55
40	AZ973-1A-12DC2	4.20	2.81	2.11	1.75	1.55
40	AZ973-1A-24DC2	4.20	2.81	2.11	1.75	1.55
40	AZ973-1A-6DC2-D1	4.41	2.95	2.21	1.84	1.63
40	AZ973-1A-12DC2-D1	4.41	2.95	2.21	1.84	1.63
40	AZ973-1A-24DC2-D1	4.41	2.95	2.21	1.84	1.63
40	AZ973-1A-6DC2-D2	4.38	2.93	2.20	1.83	1.62
40	AZ973-1A-12DC2-D2	4.38	2.93	2.20	1.83	1.62
40	AZ973-1A-24DC2-D2	4.38	2.93	2.20	1.83	1.62
40	AZ973-1A-6DC2-D3	4.38	2.93	2.20	1.83	1.62
40	AZ973-1A-12DC2-D3	4.38	2.93	2.20	1.83	1.62
40	AZ973-1A-24DC2-D3	4.38	2.93	2.20	1.83	1.62
40	AZ973-1A-6DC2-D4	4.38	2.93	2.20	1.83	1.62
40	AZ973-1A-12DC2-D4	4.38	2.93	2.20	1.83	1.62
40	AZ973-1A-24DC2-D4	4.38	2.93	2.20	1.83	1.62
40	AZ973-1A-6DC2-R1	4.50	3.01	2.26	1.88	1.66
40	AZ973-1A-12DC2-R1	4.50	3.01	2.26	1.88	1.66
40	AZ973-1A-24DC2-R1	4.50	3.01	2.26	1.88	1.66
40	AZ973-1A-6DC2-R2	4.44	2.97	2.23	1.85	1.64
40	AZ973-1A-12DC2-R2	4.44	2.97	2.23	1.85	1.64
40	AZ973-1A-24DC2-R2	4.44	2.97	2.23	1.85	1.64
40	AZ973-1A-6DC3	4.20	2.81	2.11	1.75	1.55
40	AZ973-1A-12DC3	4.20	2.81	2.11	1.75	1.55

40	AZ973-1A-24DC3	4.20	2.81	2.11	1.75	1.55
40	AZ973-1A-6DC3-D1	4.38	2.93	2.20	1.83	1.62
40	AZ973-1A-12DC3-D1	4.38	2.93	2.20	1.83	1.62
40	AZ973-1A-24DC3-D1	4.38	2.93	2.20	1.83	1.62
40	AZ973-1A-6DC3-D2	4.38	2.93	2.20	1.83	1.62
40	AZ973-1A-12DC3-D2	4.38	2.93	2.20	1.83	1.62
40	AZ973-1A-24DC3-D2	4.38	2.93	2.20	1.83	1.62
40	AZ973-1A-6DC3-D3	4.38	2.93	2.20	1.83	1.62
40	AZ973-1A-12DC3-D3	4.38	2.93	2.20	1.83	1.62
40	AZ973-1A-24DC3-D3	4.38	2.93	2.20	1.83	1.62
40	AZ973-1A-6DC3-D4	4.38	2.93	2.20	1.83	1.62
40	AZ973-1A-12DC3-D4	4.38	2.93	2.20	1.83	1.62
40	AZ973-1A-24DC3-D4	4.38	2.93	2.20	1.83	1.62
40	AZ973-1A-6DC3-R1	4.44	2.97	2.23	1.85	1.64
40	AZ973-1A-12DC3-R1	4.44	2.97	2.23	1.85	1.64
40	AZ973-1A-24DC3-R1	4.44	2.97	2.23	1.85	1.64
40	AZ973-1A-6DC3-R2	4.44	2.97	2.23	1.85	1.64
40	AZ973-1A-12DC3-R2	4.44	2.97	2.23	1.85	1.64
40	AZ973-1A-24DC3-R2	4.44	2.97	2.23	1.85	1.64
40	AZ973-1C-6DC1	4.57	3.05	2.29	1.90	1.68
40	AZ973-1C-12DC1	4.57	3.05	2.29	1.90	1.68
40	AZ973-1C-24DC1	4.57	3.05	2.29	1.90	1.68
40	AZ973-1C-6DC1-D1	4.75	3.17	2.38	1.98	1.75
40	AZ973-1C-12DC1-D1	4.75	3.17	2.38	1.98	1.75
40	AZ973-1C-24DC1-D1	4.75	3.17	2.38	1.98	1.75
40	AZ973-1C-6DC1-D2	4.75	3.17	2.38	1.98	1.75
40	AZ973-1C-12DC1-D2	4.75	3.17	2.38	1.98	1.75
40	AZ973-1C-24DC1-D2	4.75	3.17	2.38	1.98	1.75
40	AZ973-1C-6DC1-D3	4.75	3.17	2.38	1.98	1.75
40	AZ973-1C-12DC1-D3	4.75	3.17	2.38	1.98	1.75
40	AZ973-1C-24DC1-D3	4.75	3.17	2.38	1.98	1.75
40	AZ973-1C-6DC1-D4	4.75	3.17	2.38	1.98	1.75
40	AZ973-1C-12DC1-D4	4.75	3.17	2.38	1.98	1.75
40	AZ973-1C-24DC1-D4	4.75	3.17	2.38	1.98	1.75
40	AZ973-1C-6DC1-R1	4.81	3.21	2.41	2.01	1.77
40	AZ973-1C-12DC1-R1	4.81	3.21	2.41	2.01	1.77
40	AZ973-1C-24DC1-R1	4.81	3.21	2.41	2.01	1.77
40	AZ973-1C-6DC1-R2	4.81	3.21	2.41	2.01	1.77
40	AZ973-1C-12DC1-R2	4.81	3.21	2.41	2.01	1.77
40	AZ973-1C-24DC1-R2	4.81	3.21	2.41	2.01	1.77
40	AZ973-1C-6DC2	4.57	3.05	2.29	1.90	1.68
40	AZ973-1C-12DC2	4.57	3.05	2.29	1.90	1.68
40	AZ973-1C-24DC2	4.57	3.05	2.29	1.90	1.68
40	AZ973-1C-6DC2-D1	4.75	3.17	2.38	1.98	1.75
40	AZ973-1C-12DC2-D1	4.75	3.17	2.38	1.98	1.75
40	AZ973-1C-24DC2-D1	4.75	3.17	2.38	1.98	1.75



40	AZ973-1C-6DC2-D2	4.75	3.17	2.38	1.98	1.75
40	AZ973-1C-12DC2-D2	4.75	3.17	2.38	1.98	1.75
40	AZ973-1C-24DC2-D2	4.75	3.17	2.38	1.98	1.75
40	AZ973-1C-6DC2-D3	4.75	3.17	2.38	1.98	1.75
40	AZ973-1C-12DC2-D3	4.75	3.17	2.38	1.98	1.75
40	AZ973-1C-24DC2-D3	4.75	3.17	2.38	1.98	1.75
40	AZ973-1C-6DC2-D4	4.75	3.17	2.38	1.98	1.75
40	AZ973-1C-12DC2-D4	4.75	3.17	2.38	1.98	1.75
40	AZ973-1C-24DC2-D4	4.75	3.17	2.38	1.98	1.75
40	AZ973-1C-6DC2-R1	4.81	3.21	2.41	2.01	1.77
40	AZ973-1C-12DC2-R1	4.81	3.21	2.41	2.01	1.77
40	AZ973-1C-24DC2-R1	4.81	3.21	2.41	2.01	1.77
40	AZ973-1C-6DC2-R2	4.81	3.21	2.41	2.01	1.77
40	AZ973-1C-12DC2-R2	4.81	3.21	2.41	2.01	1.77
40	AZ973-1C-24DC2-R2	4.81	3.21	2.41	2.01	1.77
40	AZ973-1C-6DC3	4.57	3.05	2.29	1.90	1.68
40	AZ973-1C-12DC3	4.57	3.05	2.29	1.90	1.68
40	AZ973-1C-24DC3	4.57	3.05	2.29	1.90	1.68
40	AZ973-1C-6DC3-D1	4.75	3.17	2.38	1.98	1.75
40	AZ973-1C-12DC3-D1	4.75	3.17	2.38	1.98	1.75
40	AZ973-1C-24DC3-D1	4.75	3.17	2.38	1.98	1.75
40	AZ973-1C-6DC3-D2	4.75	3.17	2.38	1.98	1.75
40	AZ973-1C-12DC3-D2	4.75	3.17	2.38	1.98	1.75
40	AZ973-1C-24DC3-D2	4.75	3.17	2.38	1.98	1.75
40	AZ973-1C-6DC3-D3	4.75	3.17	2.38	1.98	1.75
40	AZ973-1C-12DC3-D3	4.75	3.17	2.38	1.98	1.75
40	AZ973-1C-24DC3-D3	4.75	3.17	2.38	1.98	1.75
40	AZ973-1C-6DC3-D4	4.75	3.17	2.38	1.98	1.75
40	AZ973-1C-12DC3-D4	4.75	3.17	2.38	1.98	1.75
40	AZ973-1C-24DC3-D4	4.75	3.17	2.38	1.98	1.75
40	AZ973-1C-6DC3-R1	4.81	3.21	2.41	2.01	1.77
40	AZ973-1C-12DC3-R1	4.81	3.21	2.41	2.01	1.77
40	AZ973-1C-24DC3-R1	4.81	3.21	2.41	2.01	1.77
40	AZ973-1C-6DC3-R2	4.81	3.21	2.41	2.01	1.77
40	AZ973-1C-12DC3-R2	4.81	3.21	2.41	2.01	1.77
40	AZ973-1C-24DC3-R2	4.81	3.21	2.41	2.01	1.77
50	AZ974-1A-6D	4.20	2.81	2.11	1.75	1.55
50	AZ974-1A-12D	4.20	2.81	2.11	1.75	1.55
50	AZ974-1A-24D	4.20	2.81	2.11	1.75	1.55
50	AZ974-1A-6DE	4.31	2.88	2.16	1.80	1.59
50	AZ974-1A-12DE	4.31	2.88	2.16	1.80	1.59
50	AZ974-1A-24DE	4.31	2.88	2.16	1.80	1.59
50	AZ974-1A-6DR	4.50	3.00	2.26	1.88	1.66
50	AZ974-1A-12DR	4.50	3.00	2.26	1.88	1.66
50	AZ974-1A-24DR	4.50	3.00	2.26	1.88	1.66
50	AZ974-1A-6DER	4.61	3.08	2.31	1.92	1.70

50	AZ974-1A-12DER	4.61	3.08	2.31	1.92	1.70
50	AZ974-1A-24DER	4.61	3.08	2.31	1.92	1.70
50	AZ974-1A-6DD1	4.42	2.95	2.22	1.84	1.63
50	AZ974-1A-12DD1	4.42	2.95	2.22	1.84	1.63
50	AZ974-1A-24DD1	4.42	2.95	2.22	1.84	1.63
50	AZ974-1A-6DED1	4.50	3.00	2.26	1.88	1.66
50	AZ974-1A-12DED1	4.50	3.00	2.26	1.88	1.66
50	AZ974-1A-24DED1	4.50	3.00	2.26	1.88	1.66
50	AZ974-1A-6DD2	4.42	2.95	2.22	1.84	1.63
50	AZ974-1A-12DD2	4.42	2.95	2.22	1.84	1.63
50	AZ974-1A-24DD2	4.42	2.95	2.22	1.84	1.63
50	AZ974-1A-6DED2	4.50	3.00	2.26	1.88	1.66
50	AZ974-1A-12DED2	4.50	3.00	2.26	1.88	1.66
50	AZ974-1A-24DED2	4.50	3.00	2.26	1.88	1.66
50	AZ974-1C-6D	4.57	3.05	2.29	1.90	1.68
50	AZ974-1C-12D	4.57	3.05	2.29	1.90	1.68
50	AZ974-1C-24D	4.57	3.05	2.29	1.90	1.68
50	AZ974-1C-6DE	4.69	3.13	2.35	1.95	1.73
50	AZ974-1C-12DE	4.69	3.13	2.35	1.95	1.73
50	AZ974-1C-24DE	4.69	3.13	2.35	1.95	1.73
50	AZ974-1C-6DR	4.88	3.26	2.45	2.03	1.80
50	AZ974-1C-12DR	4.88	3.26	2.45	2.03	1.80
50	AZ974-1C-24DR	4.88	3.26	2.45	2.03	1.80
50	AZ974-1C-6DER	4.99	3.33	2.50	2.08	1.84
50	AZ974-1C-12DER	4.99	3.33	2.50	2.08	1.84
50	AZ974-1C-24DER	4.99	3.33	2.50	2.08	1.84
50	AZ974-1C-6DD1	4.82	3.22	2.42	2.01	1.78
50	AZ974-1C-12DD1	4.82	3.22	2.42	2.01	1.78
50	AZ974-1C-24DD1	4.82	3.22	2.42	2.01	1.78
50	AZ974-1C-6DED1	4.99	3.33	2.50	2.08	1.84
50	AZ974-1C-12DED1	4.99	3.33	2.50	2.08	1.84
50	AZ974-1C-24DED1	4.99	3.33	2.50	2.08	1.84
50	AZ974-1C-6DD2	4.82	3.22	2.42	2.01	1.78
50	AZ974-1C-12DD2	4.82	3.22	2.42	2.01	1.78
50	AZ974-1C-24DD2	4.82	3.22	2.42	2.01	1.78
50	AZ974-1C-6DED2	4.99	3.33	2.50	2.08	1.84
50	AZ974-1C-24DED2	4.99	3.33	2.50	2.08	1.84
50	AZ974-1C-12DED2	4.99	3.33	2.50	2.08	1.84