

# XMC0 Series

---

## Definite Purpose Contactors

### Description

American Zettler's XMC0 series of Definite Purpose Contactors are electromechanical switching devices designed for the Industrial Controls Industry. The most common applications of our contactors are found in elevators, lighting, pools/spas, food service equipment, cranes, hoists, welding machines, power supplies, vending machines, pumps and compressors. XMC0 contactors are built to the ARI 780/790 standard in our ISO 9001 manufacturing facility for high performance and great reliability. XMC0 is available in various pole configurations and load ratings up to 63 amps.



### Features

- A variety of termination options for specific application requirements
- Universal mounting plate
- Heavy-duty contacts ensure long electrical life
- EE lamination (magnetic assembly) provides optimum performance while reducing power consumption
- Performance unaffected by position mounting
- Dust-free internal construction
- UL, CUR file no. E222994



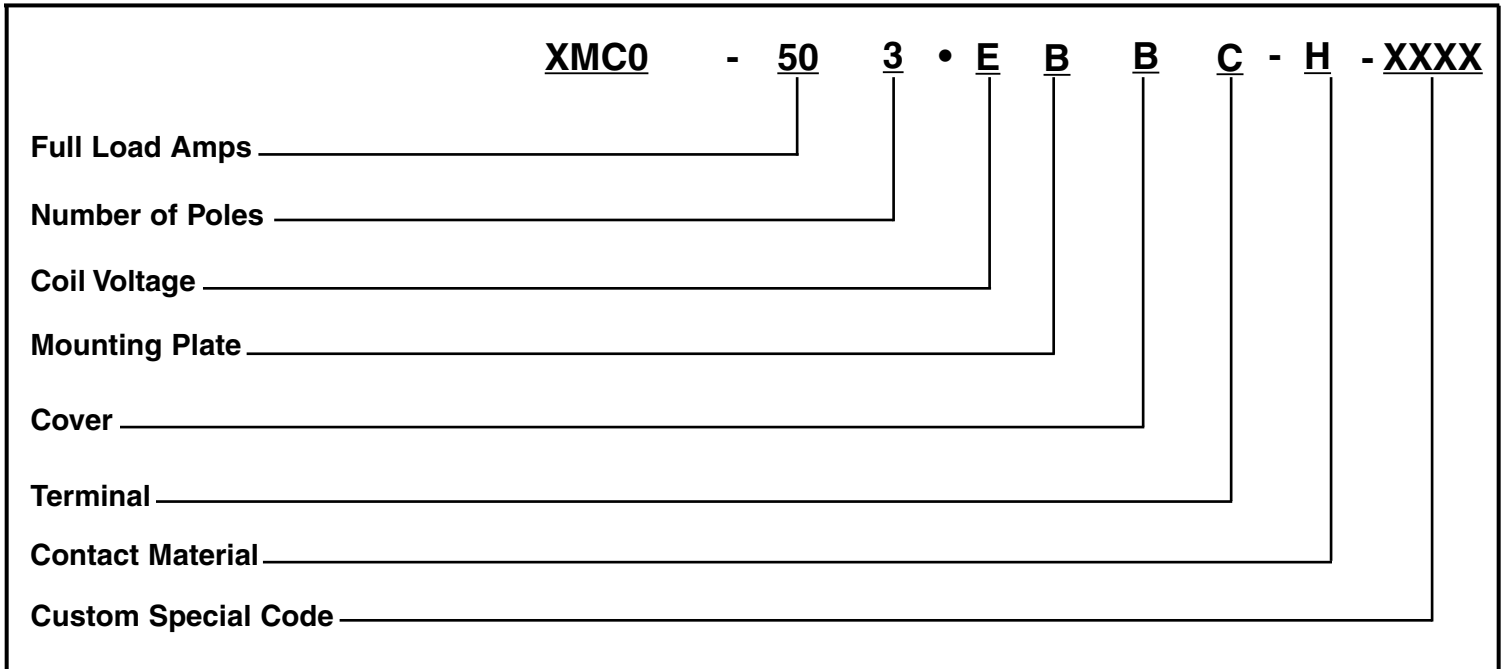
**AMERICAN ZETTLER, INC.**

[www.azettler.com](http://www.azettler.com)

75 COLUMBIA • ALISO VIEJO, CA 92656 • PHONE: (949) 831-5000 • FAX: (949) 831-8642 • E-MAIL: SALES@AZETTLER.COM

# XMCO Series

## PART NUMBERING SYSTEM



### Full Load Amp

25	25 FLA
32	32 FLA
40	40 FLA
50	50 FLA
63	63 FLA

### Number of Poles

1	1-pole + 1 shunt - Compact
2	2-pole - Compact
7	1-pole - Compact
3	3-pole* - Standard
3A	2-pole - Standard

\* 3P is only option for 50/63 Amp models

### Coil Voltage

	50Hz	60Hz
D	12V	12V
E	24V	24V
F	110-120V	110-120V
I	208-240V	208-220V
L	227V	---
N	440-480V	550-600V
U	380-415V	550-600V

### Mounting Plate

A	Plastic Base
B	Metal Plate
C	Metal Plate with DIN rail mounting*

\* Available for 50 & 63 Amp versions only

### Cover

A	Long cover
B	Short cover

### Terminal with Quick Connects

A	Screw
B	Sems clamp
C	Slotted & Hex head washer
D	Box lug

### Contact Material

Nil	AgSnO <sub>2</sub>
H	AgCdO



**AMERICAN ZETTLER, INC.**

[www.azettler.com](http://www.azettler.com)

75 COLUMBIA • ALISO VIEJO, CA 92656 • PHONE: (949) 831-5000 • FAX: (949) 831-8642 • E-MAIL: SALES@AZETTLER.COM

4/16/06W

# XMCO Series

---

## Definite Purpose Contactors

### General Data

Rated insulation voltage	690 Vrms
Di-electric strength	2500Vrms (coil to contact & contact to contact)
Designs/conforms to	IEC 60947-4-1, GB14048.4, EN60947-4, ARI780 / 790
Agency approvals	UL,CUR file E220475
Operating position	± 15° possible, relative to normal vertical mounting plane
Operating altitude	2000 meters without derating
Ambient temperature	-20°C to 70°C -40°C to 70°C
Shock resistance (1/2 ~ wave) = 11ms	Contact Open: 6g ; Contact Closed: 15g
Vibration resistance (5-300Hz)	Contact Open: 2g ; Contact Closed: 4g

### Electrical

Rated Operating voltage	12V-600V max.
Make capacity (230V, cos Ø=0.45)	12 x FLA
Break capacity (230V, cos Ø=0.45)	10 x FLA
Switching frequency	360 operations/hour
Electrical endurance (ARI 780/790)	200,000 cycles
Mechanical endurance (ARI 780/790)	3,000,000 cycles



**AMERICAN ZETTLER, INC.** [www.azettler.com](http://www.azettler.com)

75 COLUMBIA • ALISO VIEJO, CA 92656 • PHONE: (949) 831-5000 • FAX: (949) 831-8642 • E-MAIL: SALES@AZETTLER.COM

# XMCO Series

## Definite Purpose Contactors

### Electrical Ratings

Size	Full Load Amps (FLA)	Resistive Load Amps (RLA)	Locked Rotor Amps (LRA)			Pole Form	Order Number
Compact	25	32	150	125	100	1P	XMCO-257
						1P+1shunt	XMCO-251
						2P	XMCO-252
	32	40	180	150	120	1P	XMCO-327
						1P+1shunt	XMCO-321
						2P	XMCO-322
	40	50	240	200	160	1P	XMCO-407
						1P+1shunt	XMCO-401
						2P	XMCO-402
Standard	25	32	150	125	100	2P	XMCO-253A
						3P	XMCO-253
	32	40	180	150	120	2P	XMCO-323A
						3P	XMCO-323
	40	50	240	200	160	2P	XMCO-403A
						3P	XMCO-403
	50	63	300	250	200	3P	XMCO-503
	63	80	360	300	240	3P	XMCO-633

### Coil Data

Pole Form	Inrush VA	Sealed VA	Sealed (W)	Pickup Voltage	Dropout Voltage
1 pole, 1 pole + 1 shunt	32	5.0	1.5 - 3	≤ 0.8 Us*	≥ 0.2 Us*
2 pole	40	6.0	2.5 - 4.5		
3 pole, 2 pole standard (3A)	60	8.0	3.6 - 6		

\*Us = nominal coil voltage



**AMERICAN ZETTLER, INC.**

[www.azettler.com](http://www.azettler.com)

75 COLUMBIA • ALISO VIEJO, CA 92656 • PHONE: (949) 831-5000 • FAX: (949) 831-8642 • E-MAIL: SALES@AZETTLER.COM

4/16/06W

# XMCO Series

## Definite Purpose Contactors

### Dimensions

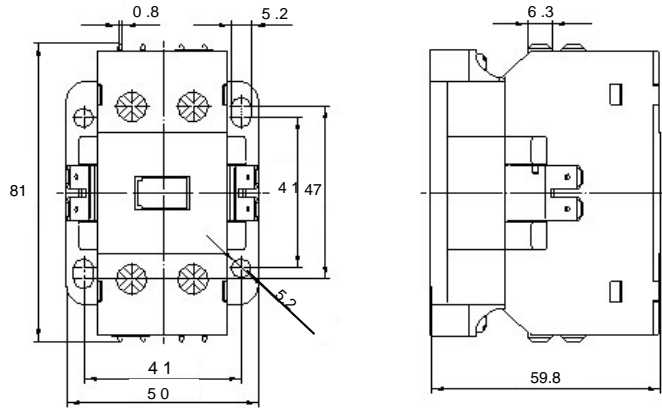


Fig 1 -1-pole/1-pole +shunt (plastic base, 25-63 A Compact)

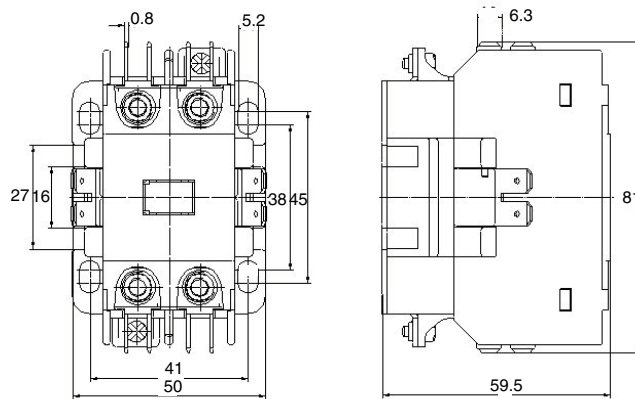


Fig 2 -1-pole/1-pole +shunt (metal base, 25-63 A Compact)

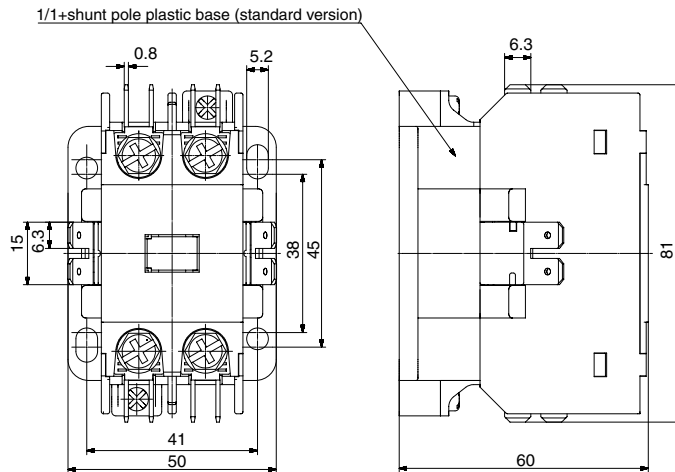


Fig 3 -1-pole/1-pole +shunt (plastic base, 25-63 A Standard)



**AMERICAN ZETTLER, INC.**

[www.azettler.com](http://www.azettler.com)

75 COLUMBIA • ALISO VIEJO, CA 92656 • PHONE: (949) 831-5000 • FAX: (949) 831-8642 • E-MAIL: SALES@AZETTLER.COM

# XMCO Series

## Definite Purpose Contactors

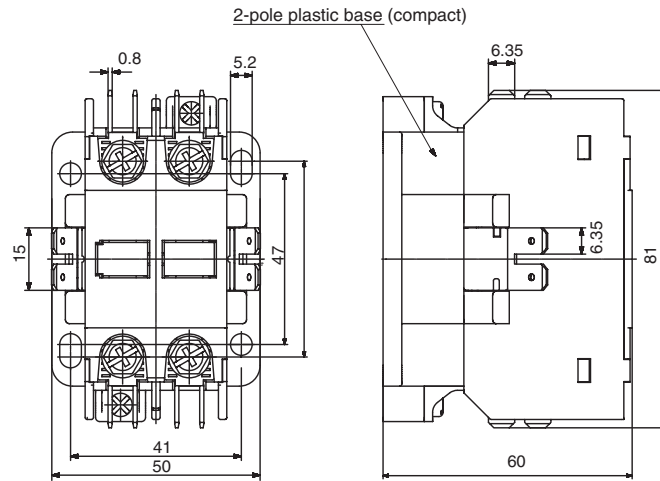


Fig 4 -2-pole (plastic base, 25-63 A Compact)

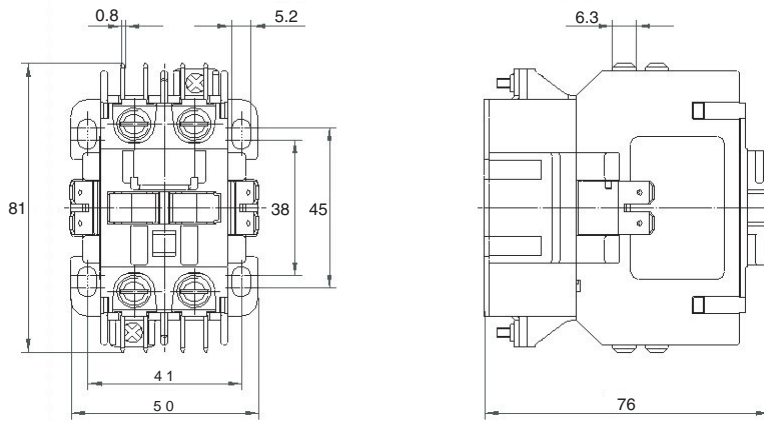


Fig 5 -2-pole (metal base, 25-63 A Compact)

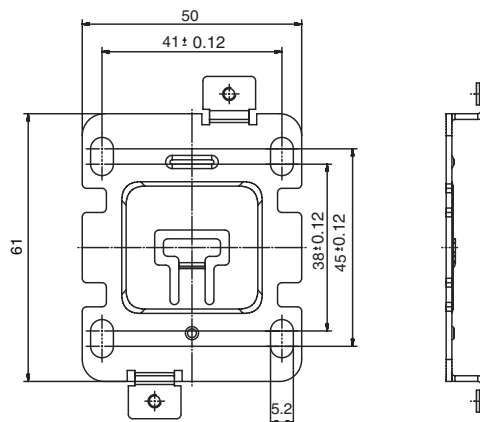


Fig 6 -2-pole (metal base, 25-63 A Compact)



**AMERICAN ZETTLER, INC.**

[www.azettler.com](http://www.azettler.com)

75 COLUMBIA • ALISO VIEJO, CA 92656 • PHONE: (949) 831-5000 • FAX: (949) 831-8642 • E-MAIL: SALES@AZETTLER.COM

# XMCO Series

## Definite Purpose Contactors

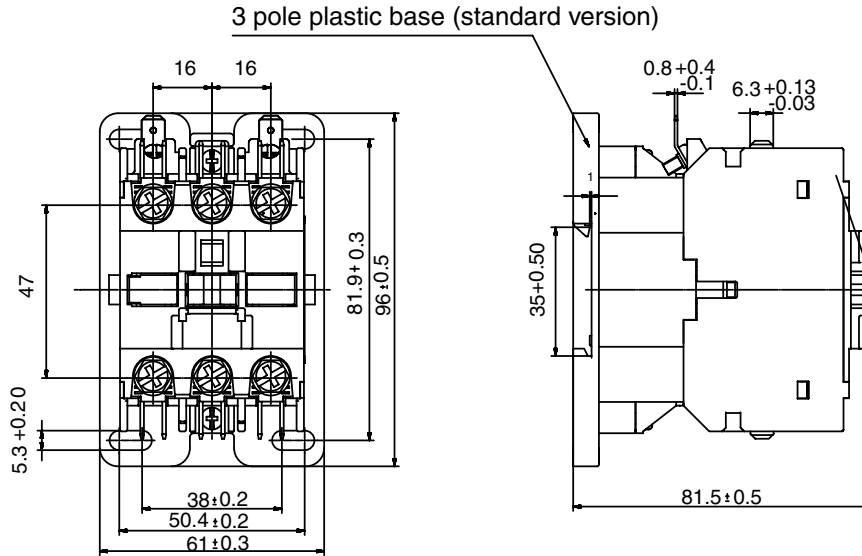


Fig 7 -3-pole (plastic base, 25-63 A Standard)

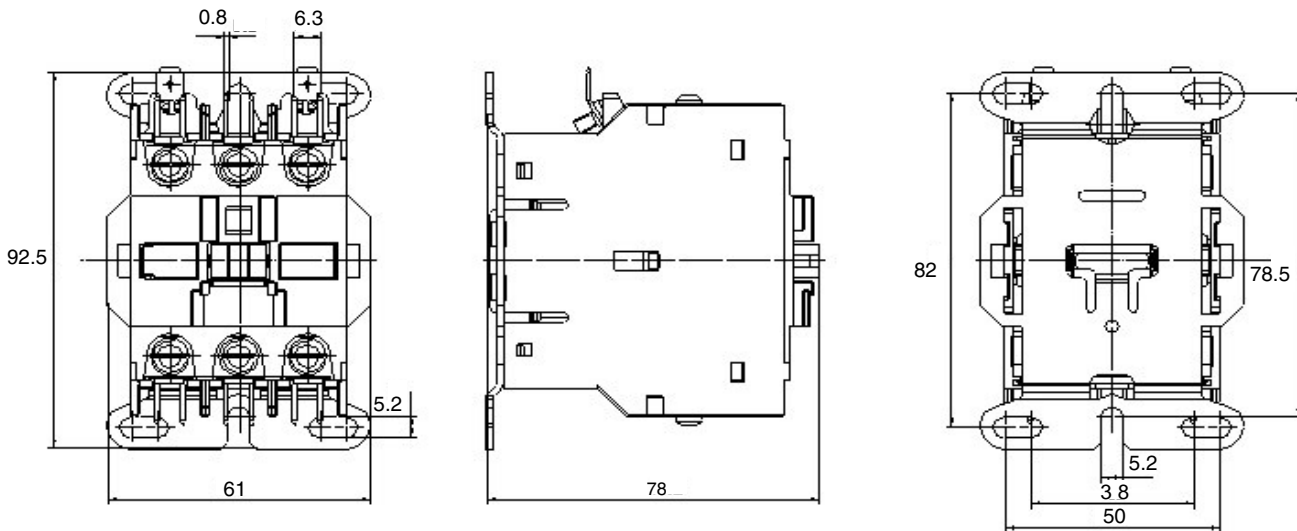


Fig 8 -3-pole (metal base, 25-63 A Standard)



**AMERICAN ZETTLER, INC.**

[www.azettler.com](http://www.azettler.com)

75 COLUMBIA • ALISO VIEJO, CA 92656 • PHONE: (949) 831-5000 • FAX: (949) 831-8642 • E-MAIL: SALES@AZETTLER.COM