

XMC0 Series

Definite Purpose Contactors

Description

Zettler controls XMC0 series high performance definite purpose contactors (1-Pole, 1-Pole + 1-Shunt, 2-Pole, and 3-Pole, from 25A to 40A) are ideal for "HVAC" air conditioning, refrigeration, heating, lighting, pools, spas, and foodservice equipment. XMC0 series definite purpose contactors meet the ARI 780/790 standard.



Features

1. Various terminal options for specific application needs.
2. Easy to change coil.
3. Universal mounting plate eliminates changing hole patterns when replacing competitive contactors.
4. Convenient non-position sensitive mounting.
5. Heavy-duty silver metal oxide composition contacts ensure long electrical life.
6. Coils are Class F (155° C) temperature insulated encompassing a wide range of voltages and 50/60 Hz ratings.
7. Double E magnet assembly provides optimal performance with reduced power consumption.
8. Effective dust-proof structure.
9. UL, CUR File E222994

Type model nomenclature - Ordering Information

XM **C** **0** - □□ □□ · □ □ □ □ - □□□
1 2 3 4 5 6 7 8 9 10

Number digit 1: Manufacturer's code
XM – Series designation

Number digit 2: Product Type
C – Contactor



AMERICAN ZETTLER, INC.

www.azettler.com

75 COLUMBIA • ALISO VIEJO, CA 92656 • PHONE: (949) 831-5000 • FAX: (949) 831-8642 • E-MAIL: SALES@AZETTLER.COM

XMCO Series

Definite Purpose Contactors

Number digit 3: Design Sequence Number – 0.

Number digit 4: Full Load Amperes (FLA) – 25, 32, or 40

Number digit 5: Number of Poles – Compact 1,2, or 7; Standard 3, or 3A

Number digit 5	1 Compact	2 Compact	7 Compact	3 STD	3A STD
Number of poles	1-pole+ 1shunt	2-pole	1-pole	3-pole	2-pole

Number digit 6: Coil Voltage – D, E, F, I, L, N, U

Number digit 6		D	E	F	I	L	N	U
Coil voltage	60Hz	12V	24V	110-120V	208-240V	277V	440-480V	550-600V
	50Hz	12V	24V	110-120V	208-220V	--	380-415V	550-600V

Number digit 7: Mounting plate – A, B

- A*– plastic base
- B – metal plate

Number digit 8: Cover – A, B

- A*– long cover
- B – short cover

Number digit 9: Terminal – A, B, C, D (Line & Load)

- A*– screw w/ quick connect
- B – Sems clamp w/ quick connect
- C – slotted & hex head washer w/ quick connect
- D – box lug w/ quick connect

Number digit 10: Contact Material – H, Omitted

- H – Silver Cadmium Oxide contacts 1P, 1P+shunt, 2P. 40A only
- Omitted - Silver Tin Oxide contacts

Number digit 11:

- XXX – Optional Customer Assigned

*If this will be the final digit(s) in selection, omit from model nomenclature.



AMERICAN ZETTLER, INC.

www.azettler.com

75 COLUMBIA • ALISO VIEJO, CA 92656 • PHONE: (949) 831-5000 • FAX: (949) 831-8642 • E-MAIL: SALES@AZETTLER.COM

2/23/06W

XMCO Series

Definite Purpose Contactors

Characteristics

Environment

Rated insulation voltage	V	690 Vrms
Conforming to standard		IEC60947-4-1, GB14048.4, EN60947-4, ARI780/790
Approvals		UL/CUR File E220475
Operating position		± 15 possible, in relation to normal vertical mounting plane
Operating altitude	m	2000 without derating
Ambient temperature	operation	°C -25 C~ +70
	storage	°C -40 C~ +70
Relative humidity		95% at 55°C
Pollution degree		3
Shock resistance 1/2 sine wave=11 ms	contactor open	g 6
	contactor closed	g 15
Vibration resistance 5 to 300 Hz	contactor open	g 2
	contactor closed	g 4

Performance

XMCO							
Pole Code		Compact 1, 2, or 7			Standard 3 or 3A		
Rated operating voltage	V	12V - 600V Max.					
Full load ampere (FLA)	A	25	32	40	25	32	40
Resistive load ampere (RLA)	A	35	40	50	35	40	50
Making capacity (230V cosφ 0.45)	A	12 x FLA					
Breaking capacity (230V cosφ 0.45)	A	10 x FLA					
Switching frequency	op/h	360					
Electrical endurance (ARI 780/790)	cycle	200,000					
Mechanical endurance (ARI 780/790)	cycle	3,000,000					



AMERICAN ZETTLER, INC. www.azettler.com

75 COLUMBIA • ALISO VIEJO, CA 92656 • PHONE: (949) 831-5000 • FAX: (949) 831-8642 • E-MAIL: SALES@AZETTLER.COM

2/23/06W

XMCO Series

Definite Purpose Contactors

Pole Characteristics

Full Load Amps	Resistive Amps Per Pole	Locked Rotor amps			Poles	Catalog Number
		240/277V	480V	600V		
25 Compact	35	150	125	100	1P	XMCO – 257
					1P+Shunt	XMCO – 251
					2P	XMCO – 252
32 Compact	40	180	150	120	1P	XMCO – 327
					1P+Shunt	XMCO – 321
					2P	XMCO – 322
40 Compact	50	240	200	160	1P	XMCO – 407
					1P+Shunt	XMCO – 401
					2P	XMCO – 402
25 STD	35	150	125	100	2P	XMCO – 253A
					3P	XMCO – 253
32 STD	40	180	150	120	2P	XMCO – 323A
					3P	XMCO – 323
40 STD	50	240	200	160	2P	XMCO – 403A
					3P	XMCO – 403

Coil technical data

	Inrush VA	Sealed VA	Sealed w	Voltage	
				Pick-up	Drop-out
XMCO- 1/7	32	5	1.5-3	≤0.8U _s	≥ 0.2U _s
XMCO- 2	40	6	2.5-4.5		
XMCO- 3/3A	60	8	3.5-6		



AMERICAN ZETTLER, INC.

www.azettler.com

75 COLUMBIA • ALISO VIEJO, CA 92656 • PHONE: (949) 831-5000 • FAX: (949) 831-8642 • E-MAIL: SALES@AZETTLER.COM

XMCO Series

Definite Purpose Contactors

Dimensions

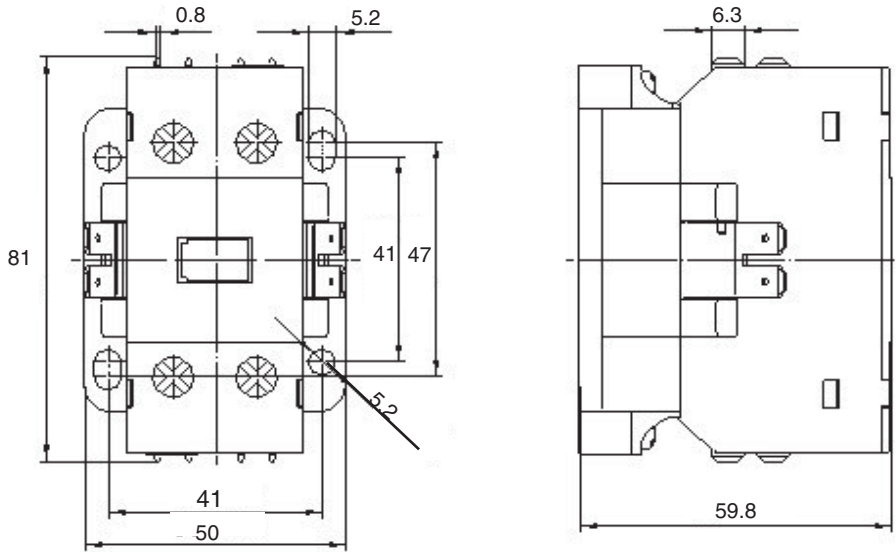


FIG 1 - 1-pole/1-pole+shunt (plastic base, 25-40A Compact)

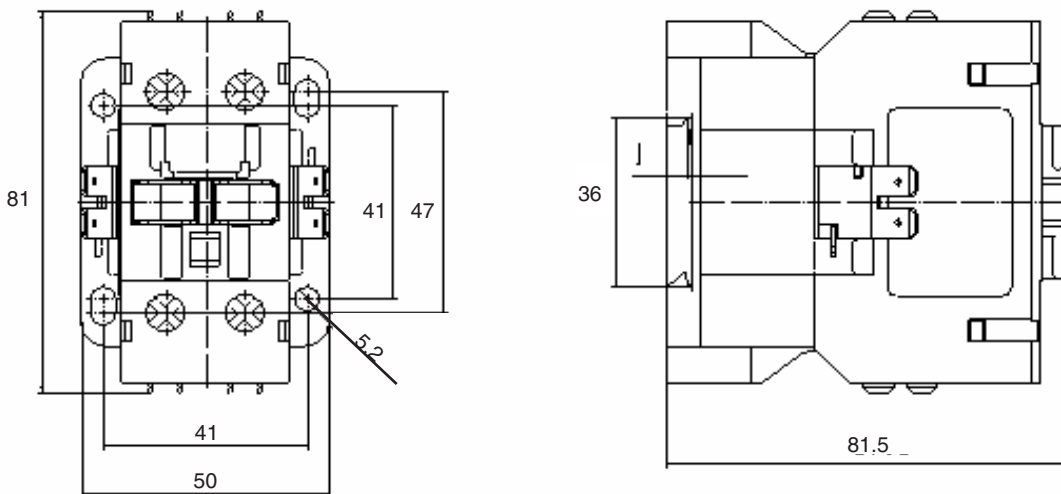


FIG 2 - 2-pole (plastic base, 25-40A Compact)



AMERICAN ZETTLER, INC.

www.azettler.com

75 COLUMBIA • ALISO VIEJO, CA 92656 • PHONE: (949) 831-5000 • FAX: (949) 831-8642 • E-MAIL: SALES@AZETTLER.COM

XMCO Series

Definite Purpose Contactors

Dimensions

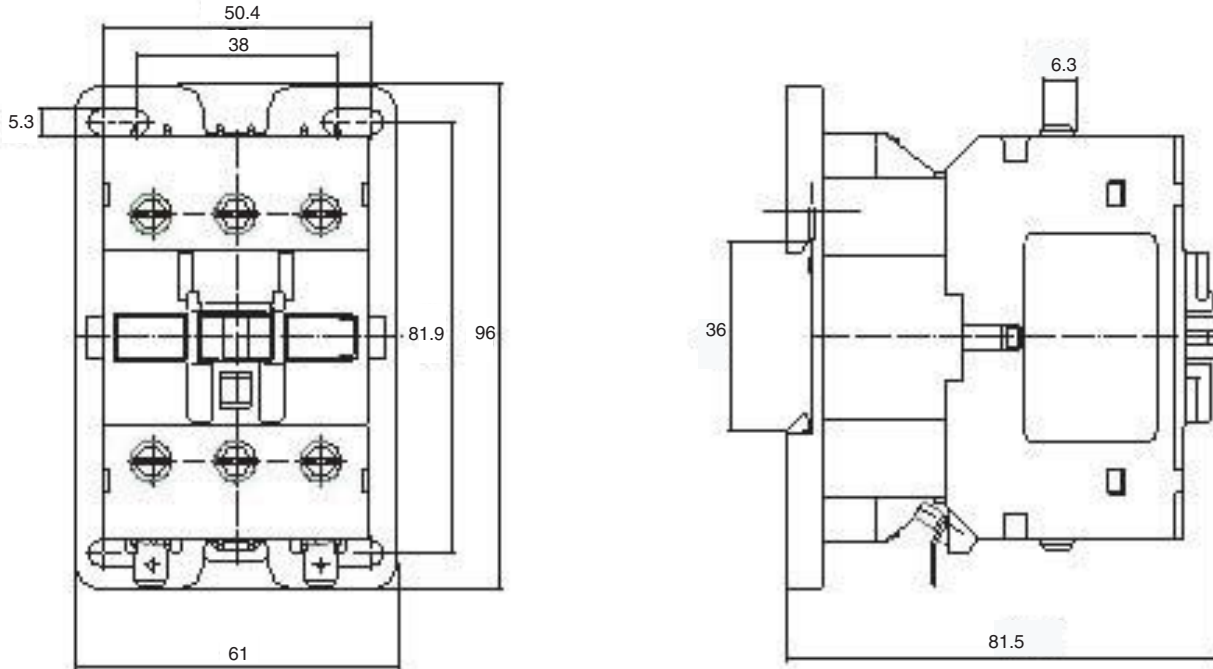


FIG 3 - 3-pole (plastic base, 25-40A Standard)

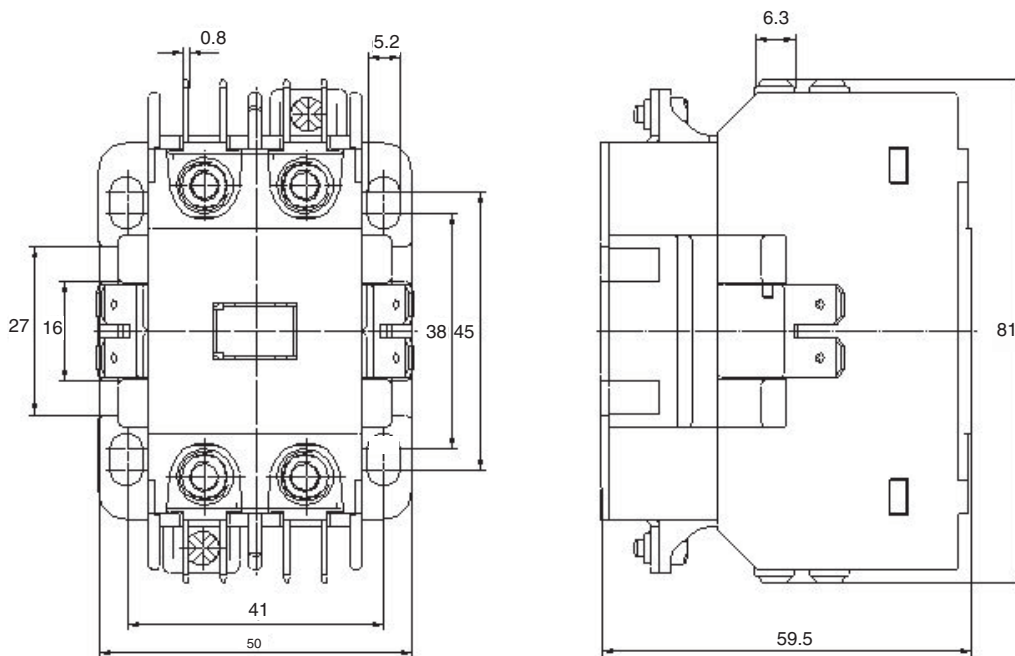


FIG 4 - 1-pole/1-pole + shunt (metal base, 25-40A Compact)



AMERICAN ZETTLER, INC.

www.azettler.com

75 COLUMBIA • ALISO VIEJO, CA 92656 • PHONE: (949) 831-5000 • FAX: (949) 831-8642 • E-MAIL: SALES@AZETTLER.COM

XMCO Series

Definite Purpose Contactors

Dimensions

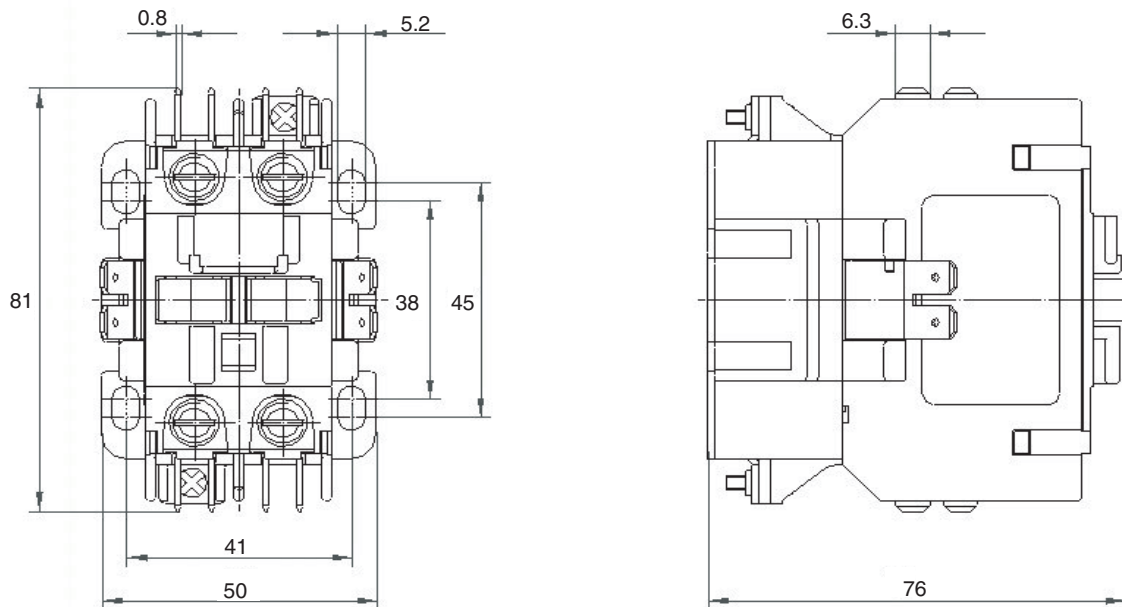


FIG 5 - 2-pole (metal base, 25-40A Compact)

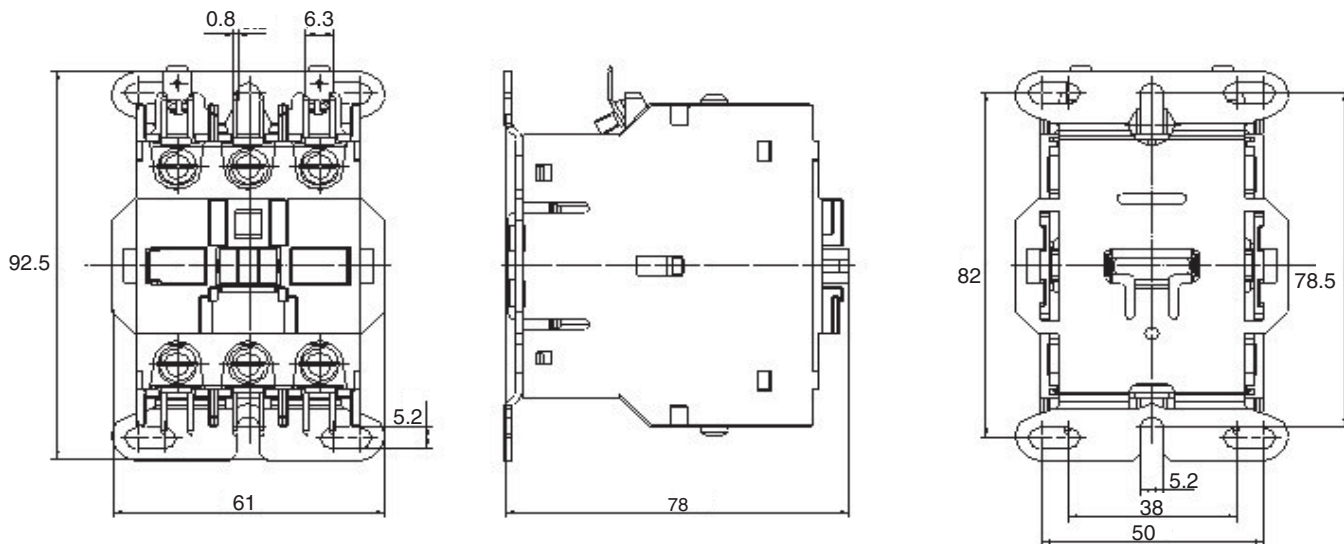


FIG 6 - 3-pole (metal base, 25-40A Standard)



AMERICAN ZETTLER, INC.

www.azettler.com

75 COLUMBIA • ALISO VIEJO, CA 92656 • PHONE: (949) 831-5000 • FAX: (949) 831-8642 • E-MAIL: SALES@AZETTLER.COM