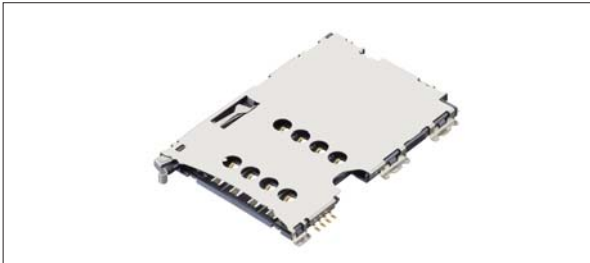


Connector for SIM Card (8pins)



SCGC1B03 Series

Card lock and unlock retention mechanism linked to push-push operation.



Features

- The lever opens and shuts automatically.
- Minimum size with self locking mechanism.
- High performance against the vibration and shock at car.

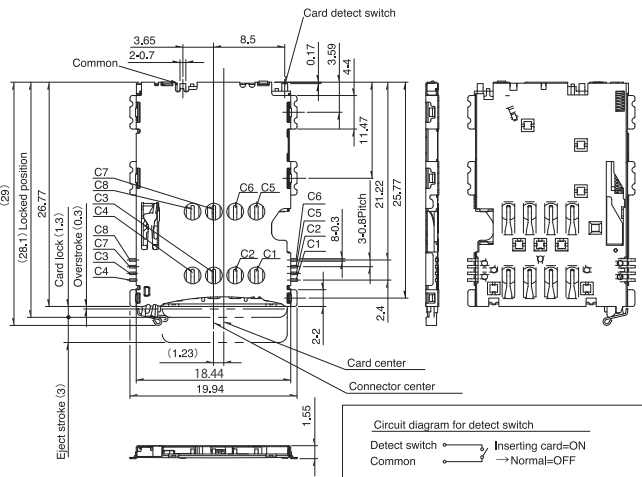
Applications

- Car navigation, notebook PCs, etc.
- Suitable in size B-CAS connector of SIM card for the ground digital broadcasting attestation.

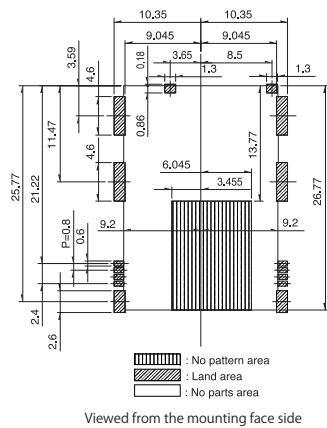
Typical Specifications

Items	Specifications	
Applicable media	SIM card (8 pins)	
Dimensions (W×D×H)	18.44× (29)× 1.55	
Mounting type	Surfac mounting type	
Mounting style	Standard mount	
Media ejection structure	Push-push type	
Operating temperature range	-40°C to +85°C	
Voltage proof	250V AC 1 minute	
Contact resistance(Initial)	Connector contact	100 mΩ max.
	Detector switch	500 mΩ max.
Insulation resistance(Initial)	1,000 MΩ min.	
Insertion and removal cycle	5,000cycles	

Dimensions



PC Board Mounting Hole Dimensions



Precautions when handling our products

1. For the export of products which are controlled items subject to foreign and domestic export laws and regulations, you must obtain approval and/or follow the formalities of such laws and regulations.
2. Products must not be used for military and/or antisocial purposes such as terrorism, and shall not be supplied to any party intending to use the products for such purposes.
3. Unless provided otherwise, the products have been designed and manufactured for application in equipment and devices which are sold to end-users in the market, such as AV (audio visual) equipment, home electronic equipment, office and commercial electronic equipment, information and communication equipment or amusement equipment. The products are not intended for use in, and must not be used for, any application of nuclear equipment, driving control equipment for aerospace or any other unauthorized use.
With the exception of the above mentioned banned applications, for applications involving high levels of safety and liability such as medical equipment, burglar alarm equipment, disaster prevention equipment and undersea equipment, please contact an Alps sales representative and/or evaluate the total system on the applicability. Also, implement a fail-safe design, protection circuit, redundant circuit, malfunction protection and/or fire protection into the complete system for safety and reliability of the total system.
4. Before using products which were not specifically designed for use in automotive applications, please contact an Alps sales representative.

Cautions for using this catalog

1. The specifications herein are an overview of the specifications. Obtain official specifications before use.
2. The colors of the products in the catalog may slightly differ from those of the actual products.
3. The external appearance, functions and other specifications herein may be changed for improvement and other reasons without prior notice. Furthermore, the products herein may discontinue without prior notice.
4. All product names, company names and names of standards described in this catalog are trademarks or registered trademarks of their respective owners.
5. The contents of this catalog are according to Alps Electric as of August 2010.
6. This catalog is valid until the end of December 2010.

Inquiries about this product

Products Information Center
 +81 (3) 5499-8154
 Products Information Site
<http://www.alps.com/products/e/>

ALPS ELECTRIC CO., LTD.
 1-7, Yuki-gaya-otsukamachi, Ota-ku, Tokyo, 145-8501, Japan