

ARK865CHTSST



200 x 200

Sample image

Order symbol : ARK865CHTSST

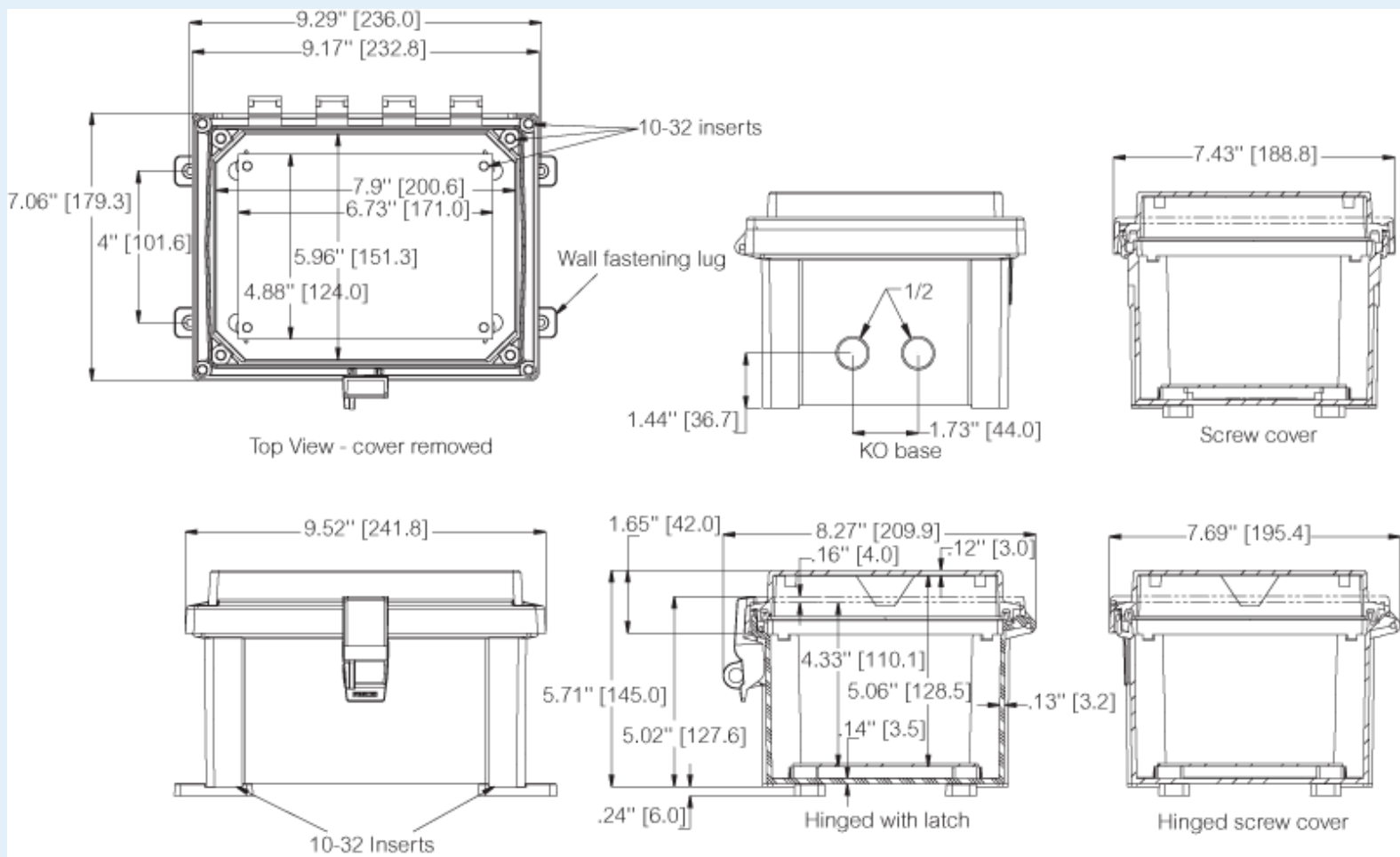
Product nr : 8561445

Description : PC Enclosure

Remarks : Hinged transparent cover w/S.S. Lockable twist latch. Base includes 1/2 and 3/4 inch knock-outs.

EAN : 6418074096210

Including : Hinged cover. Base with 10-32 brass inserts, latched cover with formed in place PUR gasket, stainless hinge pin. Base with 1/2 and 3/4 inch knock-outs. Quick release latches. Enclosure mounting foot kit. Accessory 10-32 screws for panel mounting.



Dimensions : **Height** **Width** **Depth**

Accessories :

mm :	203	152	127
inch :	8	6	5

Materials :

Material :	Polycarbonate
Base colour :	RAL 7035 -light grey
Cover colour :	Transparent
Gasket material :	Polyurethane

Temperatures :

Temperature °C (short term) :	-40 ... 140
Temperature °C (continuous) :	-40 ... 80
Temperature °F (short term) :	-40 ... 250
Temperature °F (continuous) :	-40 ... 175

AMFL6	6" Mounting Flange Set
ASP86	Aluminum Swing Panel
ASPK86	Swing Panel Kit incl. Panel
APBP86	PVC Back Panel
ASPHK8	Swing Panel Kit w/o Panel
ABP86	Painted Steel Back Panel
ALBP86	Aluminum Back Panel
ADFP86	Dead Front Panel w/ screws

Ratings :

Ingress protection (EN 60529):	IP66; IP67;
Impact Resistance (EN 62262):	IK09;
electrical_insulation :	Totally insulated
Halogen free (DIN/VDE 0472, Part 815) :	Yes
UV resistance :	UL 508
Flammability Rating :	UL 508
Glow Wire Test (IEC 695-2-1) °C :	960 °C
NEMA Class	NEMA 4, 4X, 6, 6P, 12, 12K and 13