

ARK864CHFSC



Sample image

Order symbol : ARK864CHFSC

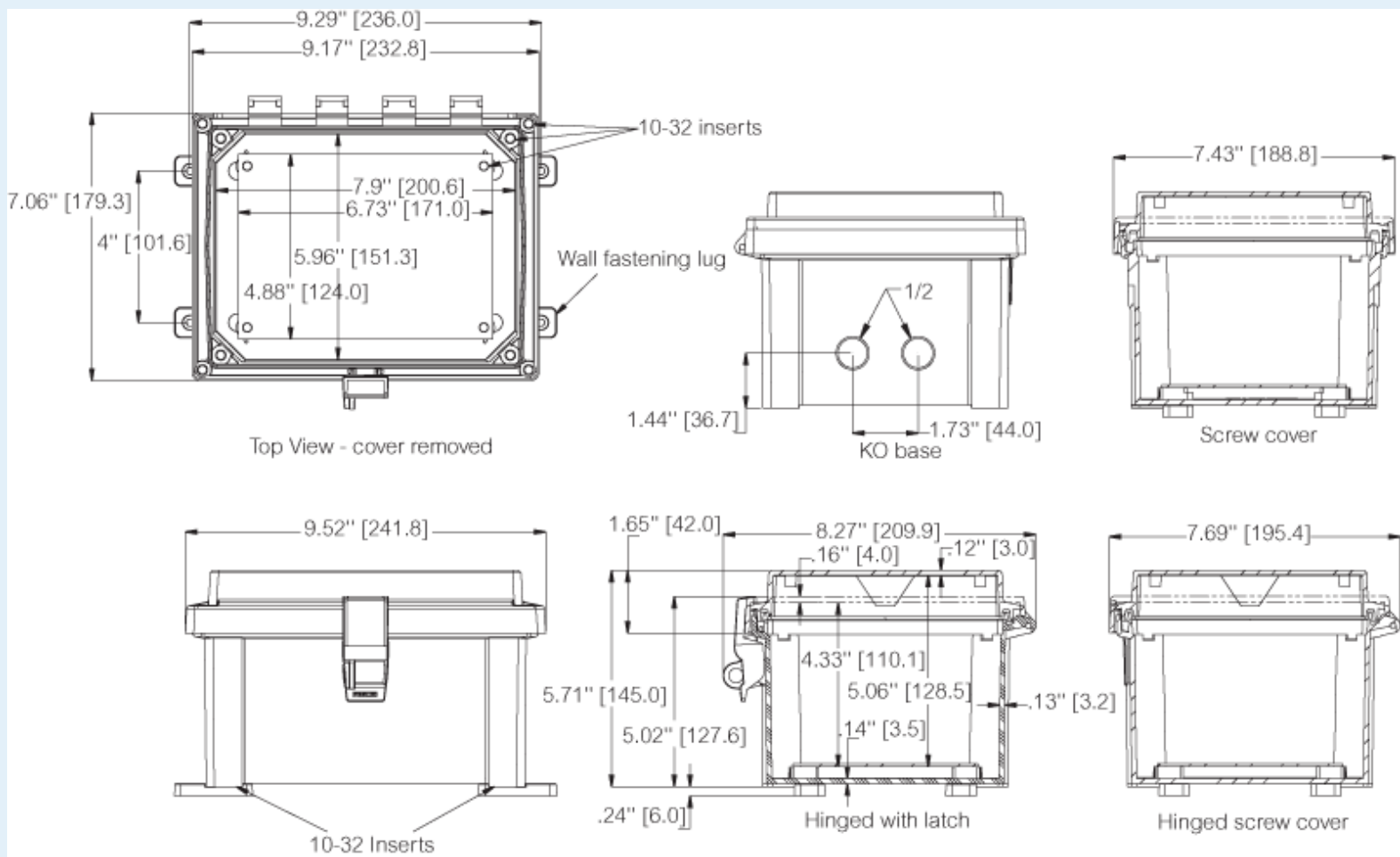
Product nr : 8561403

Description : PC Enclosure

Remarks : Hinged opaque flat screw cover, base includes 1/2 and 3/4 inch knock-outs

EAN : 6418074095794

Including : Hinged screw flat cover. Base with 10-32 brass inserts, cover with formed in place PUR gasket, stainless hinge pin and 2 cover screws. Base includes 1/2 and 3/4 inch knock-outs. Enclosure mounting foot kit. Accessory 10-32 screws for panel mounting.



Dimensions : **Height** **Width** **Depth**

Accessories :

mm :	203	152	102
inch :	8	6	4

Materials :

Material :	Polycarbonate
Base colour :	RAL 7035 -light grey
Cover colour :	RAL 7035 -light grey
Gasket material :	Polyurethane

Temperatures :

Temperature °C (short term) :	-40 ... 140
Temperature °C (continuous) :	-40 ... 80
Temperature °F (short term) :	-40 ... 250
Temperature °F (continuous) :	-40 ... 175

AMFL6	6" Mounting Flange Set
ASP86	Aluminum Swing Panel
ASPK86	Swing Panel Kit incl. Panel
APBP86	PVC Back Panel
ASPHK8	Swing Panel Kit w/o Panel
ABP86	Painted Steel Back Panel
ALBP86	Aluminum Back Panel
ADFP86	Dead Front Panel w/ screws

Ratings :

Ingress protection (EN 60529):	IP66; IP67;
Impact Resistance (EN 62262):	IK09;
electrical_insulation :	Totally insulated
Halogen free (DIN/VDE 0472, Part 815) :	Yes
UV resistance :	UL 508
Flammability Rating :	UL 508
Glow Wire Test (IEC 695-2-1) °C :	960 °C
NEMA Class	NEMA 4, 4X, 6, 6P, 12, 12K and 13