

ARK12105CHFTSS



Sample image

Order symbol : ARK12105CHFTSS

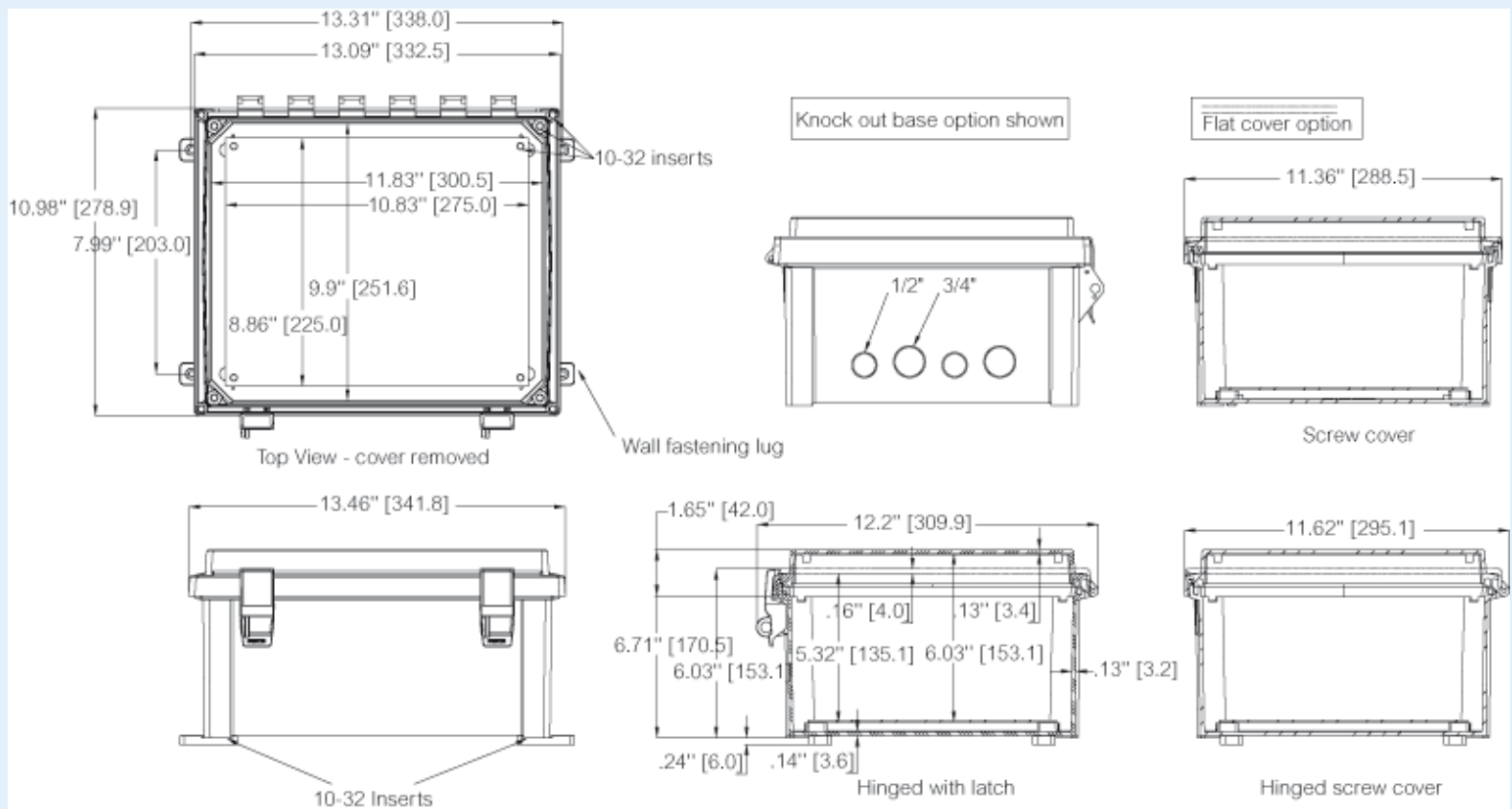
Product nr : 8561520

Description : PC Enclosure

Remarks : Hinged opaque flat cover w/S.S. Lockable twist latch, base includes 1/2 and 3/4 inch knock-outs

EAN : 6418074096968

Including : Hinged cover. Base with 10-32 brass inserts, latched flat cover with formed in place PUR gasket, stainless hinge pin. Base with 1/2 and 3/4 inch knock-outs. Quick release latches. Enclosure mounting foot kit. Accessory 10-32 screws for panel mounting.



| Dimensions : | Height | Width | Depth |
|--------------|--------|-------|-------|
| mm : | 305 | 254 | 127 |
| inch : | 12 | 10 | 5 |

| Accessories : | |
|---------------|---------------------------|
| ASPHK12 | Swing Panel Kit w/o Panel |
| ALBP1210 | Aluminum Back Panel |
| ASP1210 | Aluminum Swing Panel |

Materials :

| | |
|-------------------|----------------------|
| Material : | Polycarbonate |
| Base colour : | RAL 7035 -light grey |
| Cover colour : | RAL 7035 -light grey |
| Gasket material : | Polyurethane |

| | |
|----------|-----------------------------|
| ASPK1210 | Swing Panel Kit incl. Panel |
| ADFP1210 | Dead Front Panel w/ screws |
| APBP1210 | PVC Back Panel |
| AMFL10 | 10" Mounting Flange Set |
| ABP1210 | Painted Steel Back Panel |

Temperatures :

| | |
|-------------------------------|-------------|
| Temperature °C (short term) : | -40 ... 140 |
| Temperature °C (continuous) : | -40 ... 80 |
| Temperature °F (short term) : | -40 ... 250 |
| Temperature °F (continuous) : | -40 ... 175 |

Ratings :

| | |
|---|-----------------------------------|
| Ingress protection (EN 60529): | IP66; IP67; |
| Impact Resistance (EN 62262): | IK09; |
| electrical_insulation : | Totally insulated |
| Halogen free (DIN/VDE 0472, Part 815) : | Yes |
| UV resistance : | UL 508 |
| Flammability Rating : | UL 508 |
| Glow Wire Test (IEC 695-2-1) °C : | 960 °C |
| NEMA Class | NEMA 4, 4X, 6, 6P, 12, 12K and 13 |