

# Proximity Sensors Inductive

## Short body, Stainless Steel Housing

### Types IA, M5 w/short-circuit protection



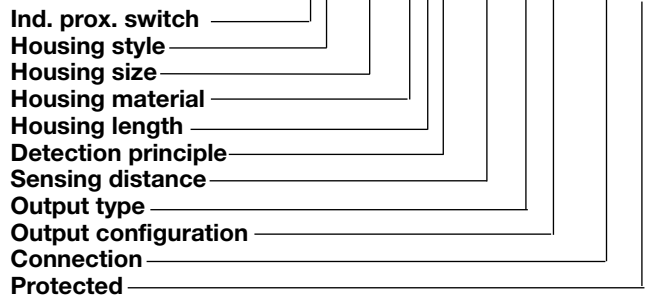
- Miniature stainless steel housing M5
- Short body
- Sensing distance: 1.0 mm (0.8 mm for IA05BSF10NCP only)
- Power supply: 10 to 30 VDC
- Output: Transistor NPN/PNP, normally open or normally closed
- Protection: Reverse polarity and short-circuit protection
- LED-indication for output ON
- 2 m PVC cable or M8 plug.

## Product Description

Miniature inductive proximity sensor with reduced body length. Output configuration for NPN/PNP with both NO and NC types as standard. M5 stainless steel housing. Connection with 2 m PVC cable or M8 plug.

## Ordering Key

**IA 05 BSF 10 NO M5 P**



## Type Selection

Rated operating dist. (S <sub>n</sub> )	Conn. type	Ordering no. Transistor NPN Normally open	Ordering no. Transistor NPN Normally closed	Ordering no. Transistor PNP Normally open	Ordering no. Transistor PNP Normally closed
0.8 mm <sup>1)</sup>	Cable		IA 05 BSF 10 NC P		
1.0 mm <sup>1)</sup>	Cable	IA 05 BSF 10 NO P		IA 05 BSF 10 PO P	IA 05 BSF 10 PC P
1.0 mm <sup>1)</sup>	Plug	IA 05 BSF 10 NO M5 P	IA 05 BSF 10 NC M5 P	IA 05 BSF 10 PO M5 P	IA 05 BSF 10 PC M5 P

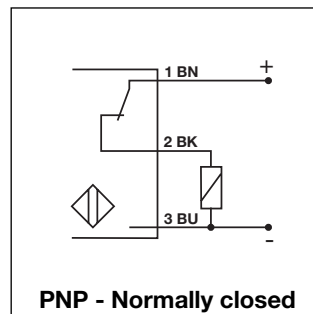
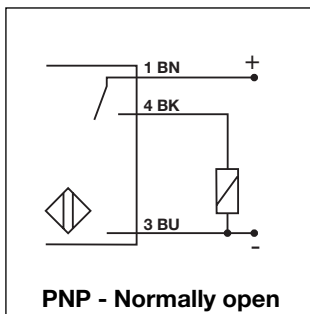
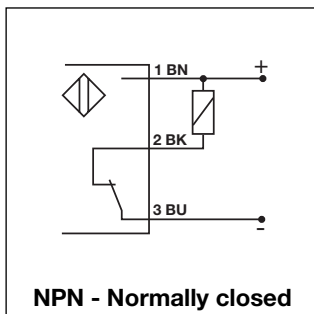
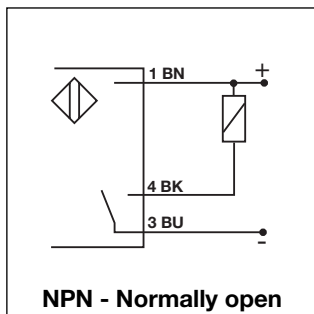
<sup>1)</sup> For flush mounting in metal

## Specifications

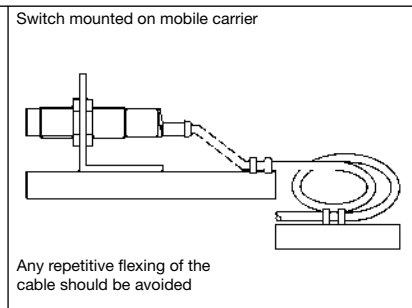
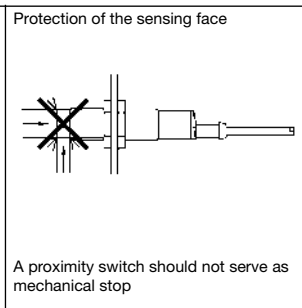
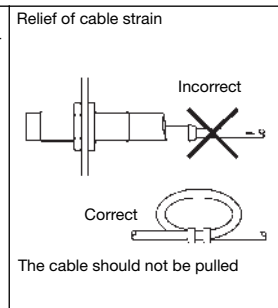
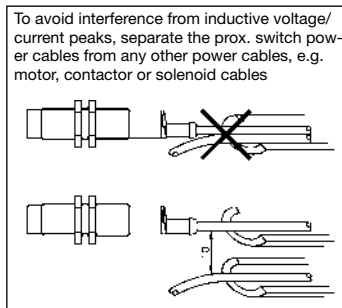
<b>Rated operational volt. (U<sub>B</sub>)</b>	10 to 30 VDC (ripple included)	<b>Ambient temperature</b>	
<b>Ripple</b>	≤ 10%	Operating	-25° to +70°C (-13° to +158°F)
<b>Rated operational current (I<sub>a</sub>)</b> Continuous	≤ 200 mA	Storage	-30° to +75°C (-22° to +167°F)
<b>No-load supply current (I<sub>o</sub>)</b>	≤ 10 mA (ON)	<b>Degree of protection</b>	IP 67 (Nema 1, 3, 4, 6, 13)
<b>Voltage drop (U<sub>d</sub>)</b>	< 1.0 V (@ I <sub>max</sub> )	<b>Housing material</b>	Stainless steel, AISI 303
<b>Protection</b>	Reverse polarity and short-circuit protection	<b>CE-marking</b>	Yes
<b>Frequency of operating cycles (f)</b>	2000 Hz	<b>Connection</b>	
<b>Indication for output ON</b>	LED, yellow	Cable	2 m, PVC, oil proof AWG 26/ 3 x 0.15 mm <sup>2</sup>
<b>Effective operating dist. (S<sub>r</sub>)</b>	0.9 x S <sub>n</sub> ≤ S <sub>r</sub> ≤ 1.1 x S <sub>n</sub>	Plug	M8, CONH5A-xxx Serie
<b>Usable operating dist. (S<sub>u</sub>)</b>	0.85 x S <sub>r</sub> ≤ S <sub>u</sub> ≤ 1.15 x S <sub>r</sub>		



## Wiring Diagrams



## Installation Hints



## Dimensions

