

Overload Relays

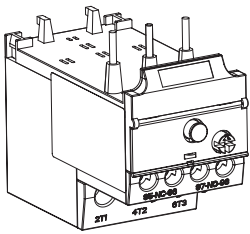
Accessories

Separate mounting adapters
for 3-pole Thermal overload relays

Separate mounting adapter



Corresponding relay	Adapter type	Terminal type	Weight g
GT32	GUZ32S	Screw type	68
GT63	GUZ63S	Screw type	134
GT63L	GUZ63L	Lug type	134
GT95	GUZ95S	Screw type	230
GT95L	GUZ95L	Lug type	230



Overload relay
GT32

Mounting

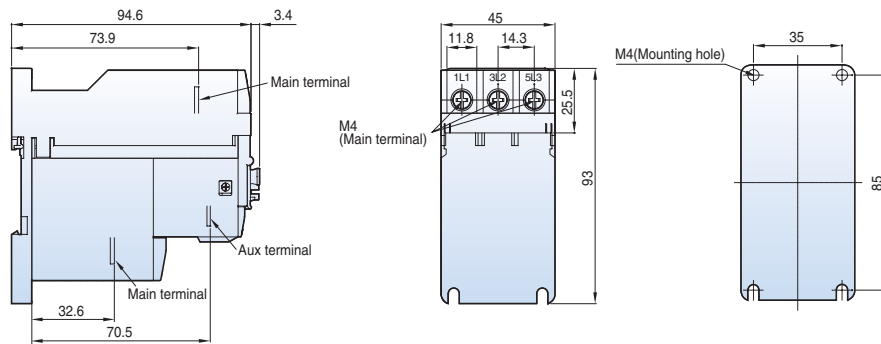
Clip-on mounting on 35 mm DIN rail or screw fixing.

Overall Dimensions

Separate mounting units for overload relays (Screw type)

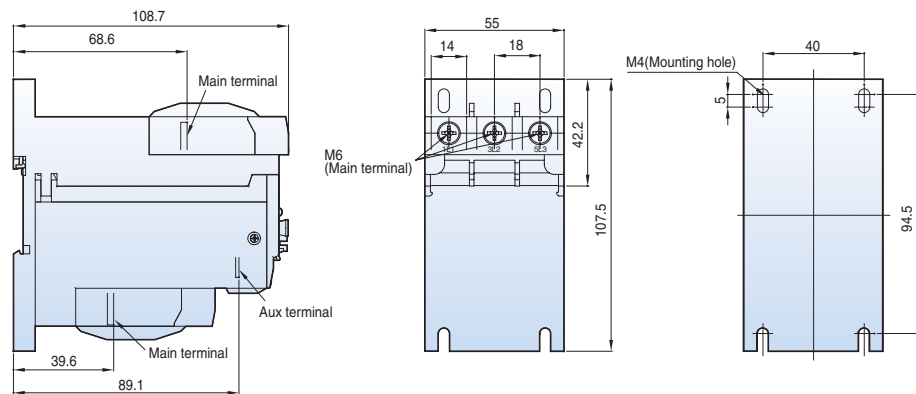
[mm]

GUZ32



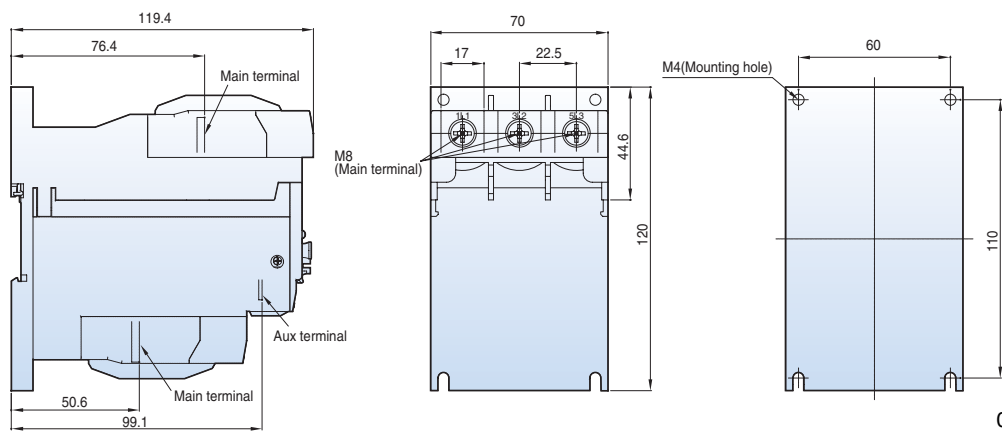
0.068kg

GUZ63



0.134kg

GUZ95



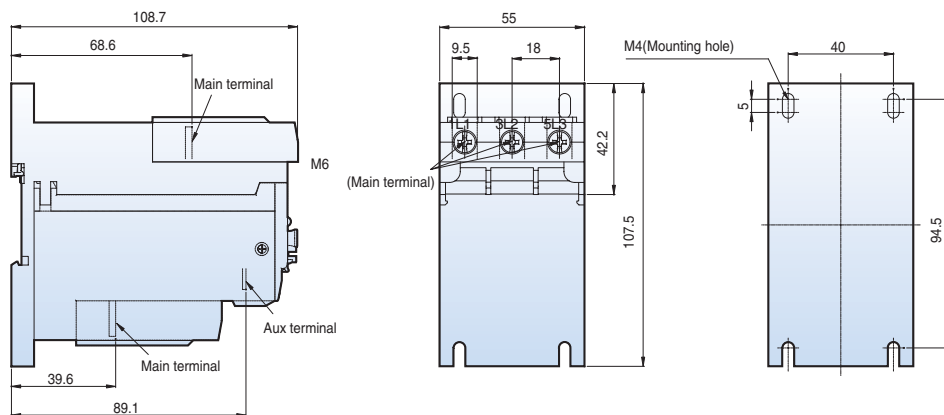
0.230kg

Overall Dimensions

Separate mounting units for overload relays (Lug type)

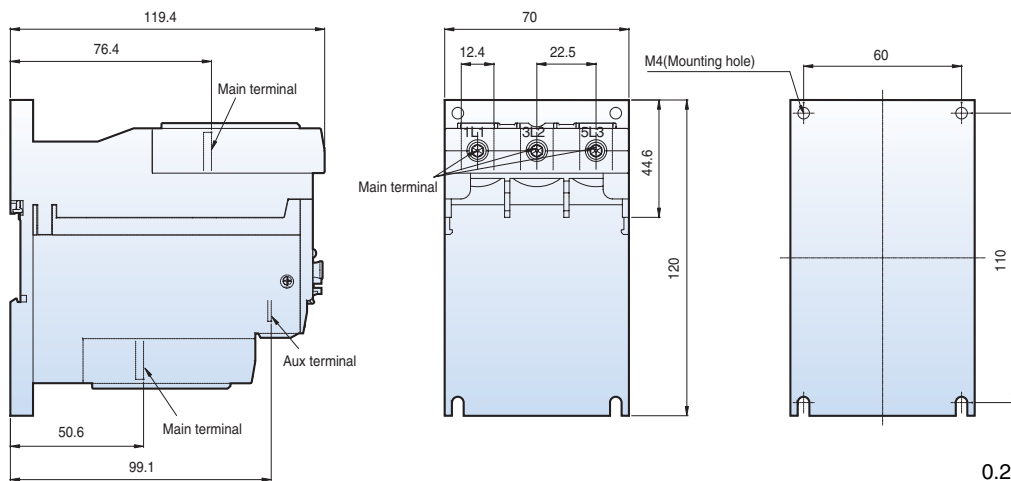
[mm]

GUZ63L



0.152kg

GUZ95L



0.226kg