

Proximity Magnetic Sensors Cylindrical Housing FSQA3 Series



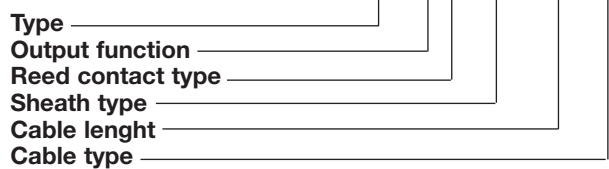
- Cylindrical stainless steel housing
- M12 diameter
- NO output function
- Halogen free silicone cable sheath output connection

Product Description

The FSQA3A012MTHF sensor is characterized by a cylindrical stainless steel housing with a 12 mm diameter and halogen free silicone cable. The output function is NO (Normally Open).

Ordering Key

FSQ A 3 A01 2MT HF



Type Selection

Housing diameter	Connection	Output function	Reference
M12 Diameters are specified in millimeters (mm)	Shielded halogen free cable	NO	FSQ A 3 A01 2MT HF

Output Specifications

Output FSQA3 Series	NO
Contact ratings	
Max Switching Voltage FSQA3 Series	500 VAC
Max Switching Current FSQA3 Series	0.5 A
Max Switching Power FSQA3 Series	10 VA

General Specifications

Operating distance FSQA3 Series	See Operating Distance table
Suitable magnetic unit FSQA3 Series	See Operating Distance table
Ambient temperature Operating	-25 to +75 °C
Environment Degree of protection	IP 67
Housing	
Diameter FSQA3 Series	M12 x 1 mm
Material FSQA3 Series	Stainless steel
CE-marking	Yes

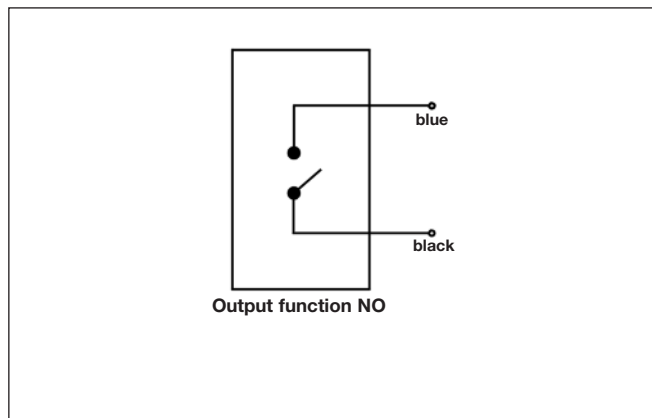


Operating Distance

<u>Magnetic units</u>	<u>CL10</u>	<u>CL11</u>	<u>CL18</u>	<u>CL20S1</u>	<u>CL20S3</u>	<u>CL23</u>	<u>CL31</u>	<u>CL90</u>
FSQA3A012MTHF	9	23	7	18	17	13	23	-

Distances are specified in millimeters (mm)
 xx: operating distance (for all Output functions).

Wiring Diagrams



Dimensions

