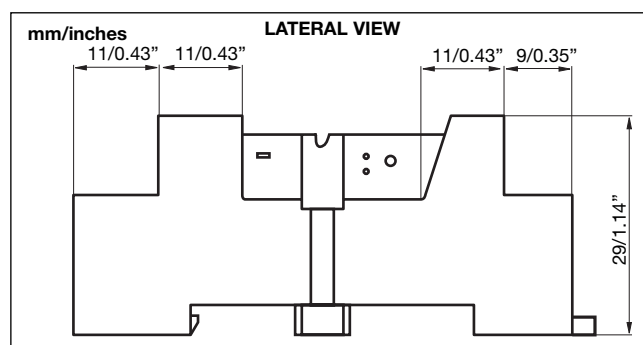
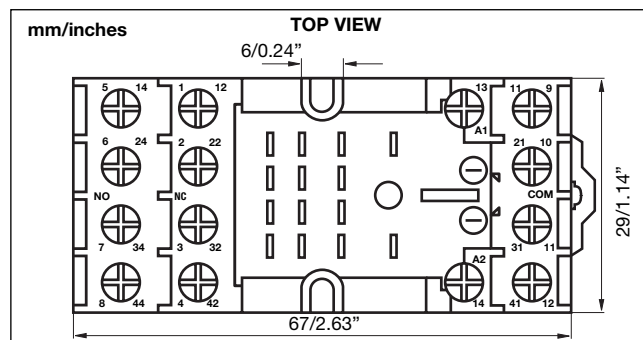
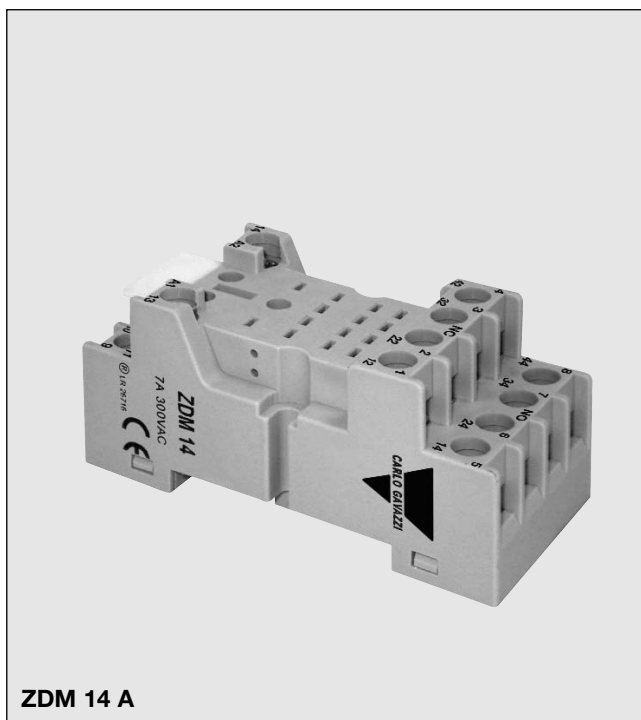


## Sockets for RMI Relays

### ZDM 14 A



### General data

Socket material	PA66 + GF (V0)
Socket colour	RAL 7035 / Pantone 1C
Contact material	CuSn
Contact surface	6µm nickel plated
Terminal type	Screw cage
Screws	5µm nickel plated 8.8 steel
Screw type	M3 with combi head (slotted, Philips Gr.1, Pozi)
Ratings @ 300VAC	10A

Operating temp.	-25° to +85°C (-13° to +185°F)
Insulation voltage	>3kV
Separation between contacts and contact coil	VDE0106/101
Maximum screw torque	0.8N/m
Max Wire section	
Flex / compact wire	2 x 1.5mm <sup>2</sup> (16AWG)
Cable End	2 x 1.5mm <sup>2</sup> (16AWG)
Terminal Protection degree	IP 20B (EN60529)

### Approvals



Ordering code 4 contacts version for RMI A 2 10 / 4 5 with metal hold down spring:

ZDM 14 A

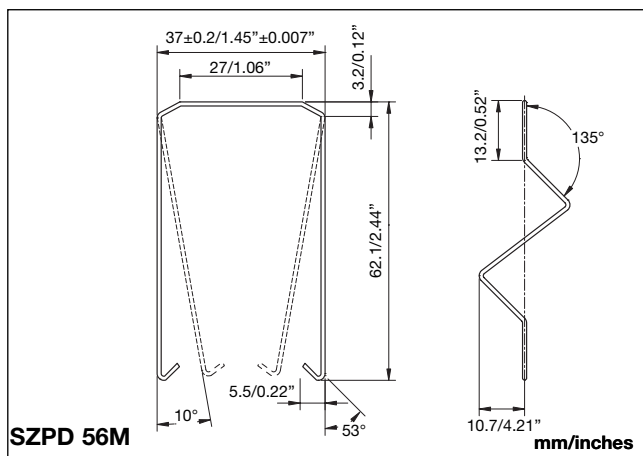
Box content: 10 sockets, 10 labels, 10 Hold down springs  
 Box size: (W 73 x D 66 x H 150) mm Weight: 560g  
 (W 2.87 x D 2.60 x H 5.91) inches Weight: 19.75oz

### Optional Accessories (to be ordered separately if required)

Metal hold down Spring	SZMI36M
Labels	6.73.00.61.3
Modules	

## Optional Springs for ZPD series

### SZPD 56M



### General data

Spring material

Stainless steel

#### Packaging

Box content:

1 plastic bag, 10pcs.

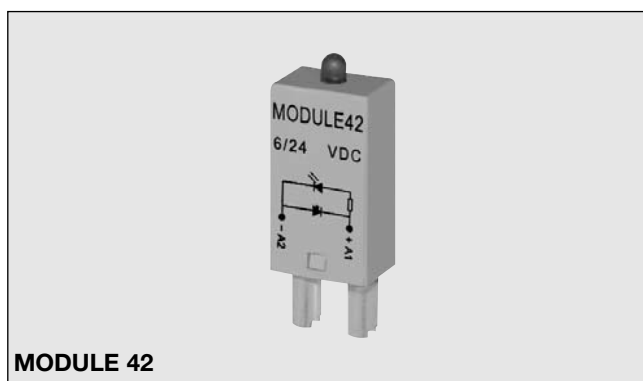
Weight:

~10g (0.36oz)

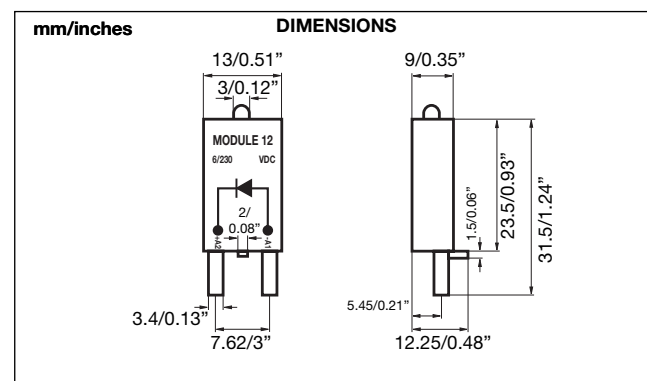


## Optional Function Modules

### Modules for ZMI and ZD sockets



MODULE 42



## Approvals



European low-voltage  
directive compliant



## General data

Module material

PA66+GF (V0)

Module colour

RAL 7035 / Pantone 1C

#### Packaging

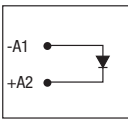
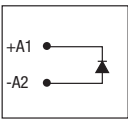
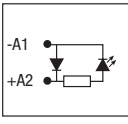
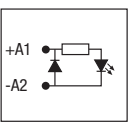
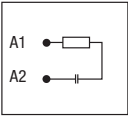
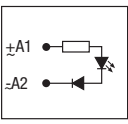
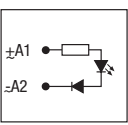
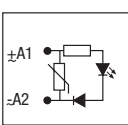
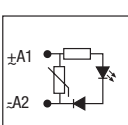
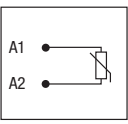
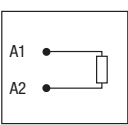
Box content:

1 bag, 100pcs.

Box size: W 160 x D 70 x H 80 mm Weight: ~350g

(W 6.30 x D 2.75 x H 3.15) inches Weight: ~12.3oz

## Types and electrical configurations

Diagram	Type	Description	Operating voltage	LED Colour	Ordering code		Notes
					ZMI, ZD, ZDM Sockets	ZPD9, ZPD11	
	12	Free wheeling diode A2 +	6 / 230VDC	n.a.	MODULE12	MODULE11	
	22	Free wheeling diode A1 +	6 / 230VDC	n.a.	MODULE22	MODULE21	
	32	Free wheeling diode A2 +, with LED	6 / 24VDC	Red	MODULE32	n.a.	
			24 / 60VDC		MODULE32B		
			110 / 230VDC		MODULE32C		
			6 / 24VDC	Green**	MODULE32/G		
			24 / 60VDC		MODULE32B/G		
			110 / 230VDC		MODULE32C/G		
	42	Free wheeling diode A1 +, with LED	6 / 24VDC	Red	MODULE42		
			24 / 60VDC		MODULE42B		
			110 / 230VDC		MODULE42C		
			6 / 24VDC	Green**	MODULE42/G		
			24 / 60VDC		MODULE42B/G		
			110 / 230VDC		MODULE42C/G		
	52	RC Filter	110/240VAC	n.a.	MODULE52	MODULE51	Only for AC relays
		RC Filter	6 / 24VAC		MODULE52B	MODULE51B	
		RC Filter	24 / 60VAC		MODULE52D	MODULE51D	
	62	Signalling LED	6 / 24V	Red	MODULE62	n.a.	Can work with AC and DC Relays
	92		24 / 60V		MODULE62E		
			110 / 230V		MODULE92		
	62	Signalling LED	6 / 24V	Green**	MODULE62/G		
	92		24 / 60V		MODULE62E/G		
			110 / 230V		MODULE92/G		
	62	Signalling LED, with Varistor	6 / 24V	Red	MODULE62C		
	92		24 / 60V		MODULE62D		
			110 / 230V		MODULE92C		
	62	Signalling LED, with Varistor	6 / 24V	Green**	MODULE62C/G		
	92		24 / 60V		MODULE62D/G		
			110 / 230V		MODULE92C/G		
	72	Varistor	6 / 24VAC	n.a.	MODULE72	MODULE71	
	82		115VAC		MODULE72A	MODULE71A	
			230VAC		MODULE82	MODULE81	
	102	Resistor	110 / 230VAC	n.a.	MODULE102	n.a.	

\*\* Non standard devices normally not in stock and production upon request

## Installation Operations

