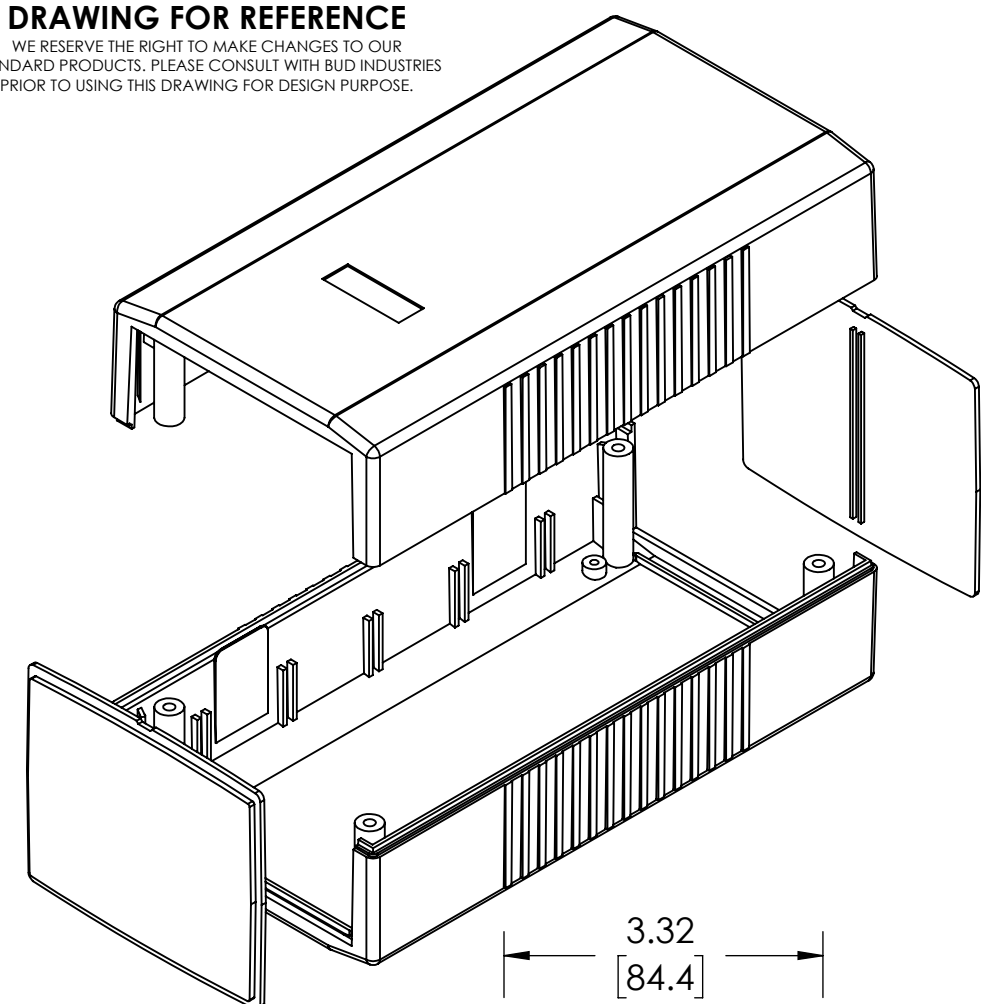


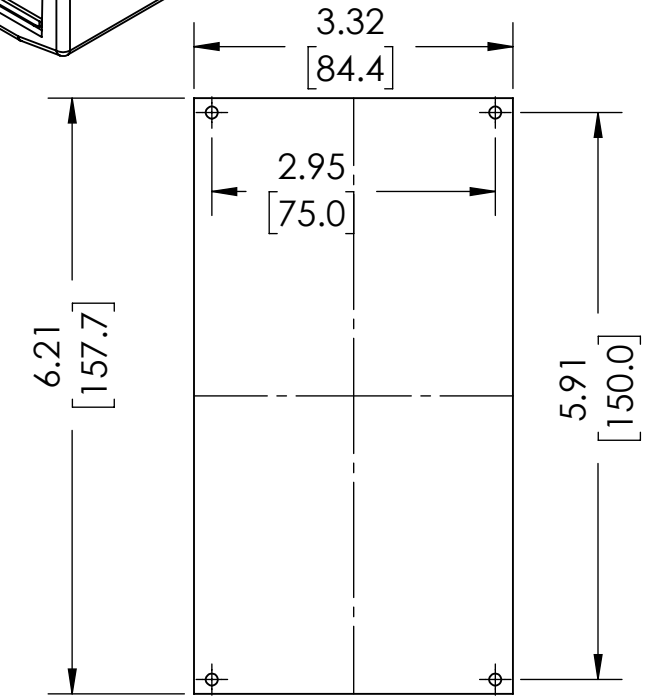
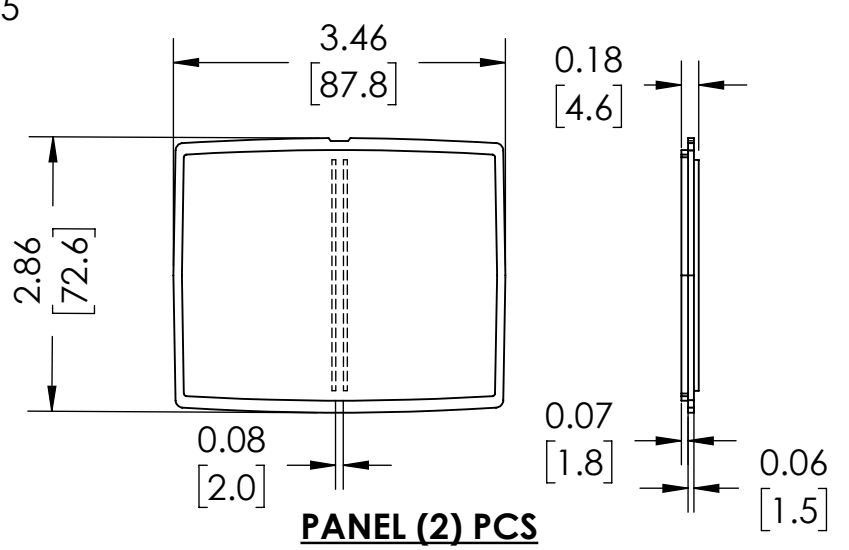
DRAWING FOR REFERENCE
 WE RESERVE THE RIGHT TO MAKE CHANGES TO OUR STANDARD PRODUCTS. PLEASE CONSULT WITH BUD INDUSTRIES PRIOR TO USING THIS DRAWING FOR DESIGN PURPOSE.



.25 DIA BOSS WITH .09 DIA HOLE X .16 DP MOUNTING BOSSSES (4) SEE PCB BELOW FOR LOCATIONS - USE M2.5 OR #4 SHEET METAL SCREW (NOT SUPPLIED)

.32 DIA BOSS WITH M3 X .25 INSERT (4)

SECTION A-A



SECTION B-B

- NOTE:**
1. FOUR (4X) M3 X 25mm [0.98"] SCREWS SUPPLIED FOR ASSEMBLY
 2. FOUR (4X) RUBBER SELF-ADHESIVE FEET SUPPLIED
 3. ALL DALL OUTSIDE AND INSIDE LARGE SURFACES FOLLOW CONTOUR OF MAIN FACE

FOR ADDITIONAL PRODUCT INFORMATION AND ACCESSORIES VISIT WWW.BUDIND.COM

MATERIAL AND FINISH:
 NO SUFFIX - DARK GRAY ABS COVERS WITH LIGHT GRAY ABS END PANELS. UL94V-0 FLAMMABILITY RATING.
 SUFFIX -LG - LIGHT GRAY ABS COVERS WITH DARK GRAY ABS END PANELS. UL94-HB FLAMMABILITY RATING.