



PART NAME

NON-METALLIC ENCLOSURE (STYLE B)

PART No.

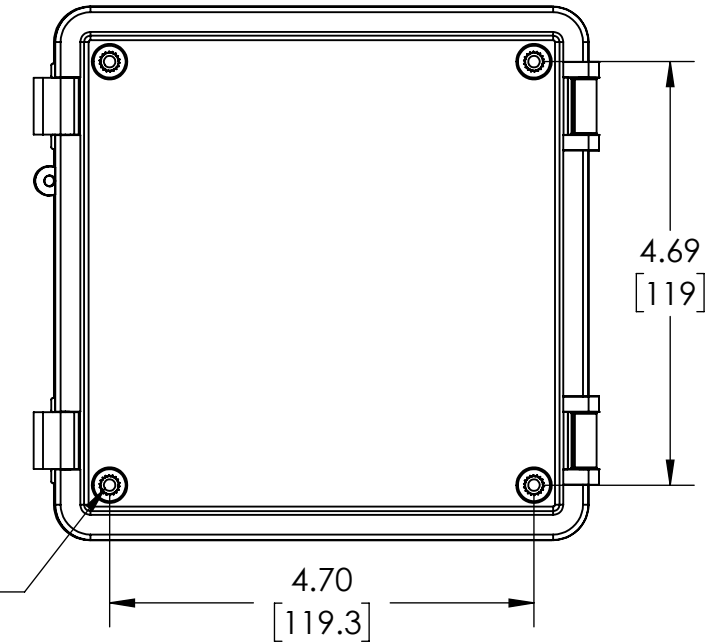
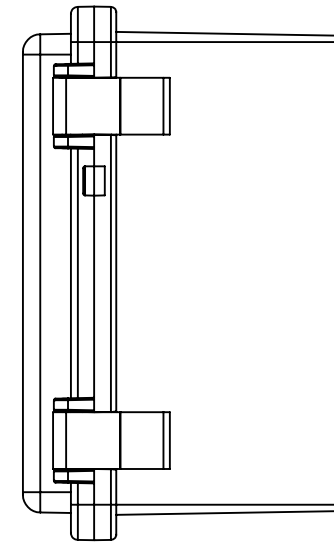
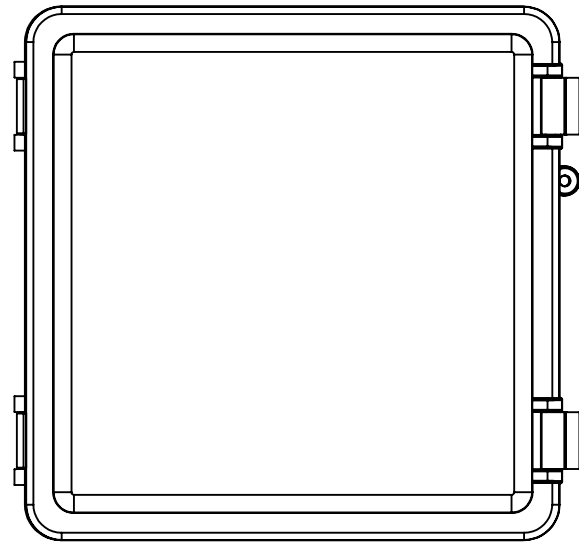
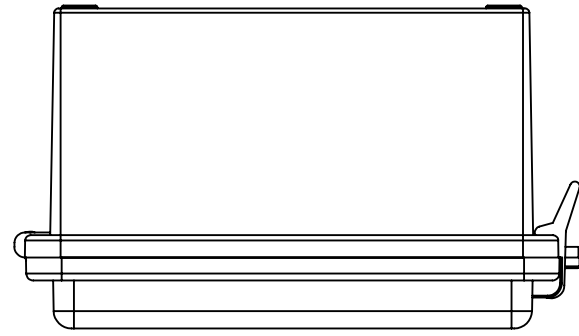
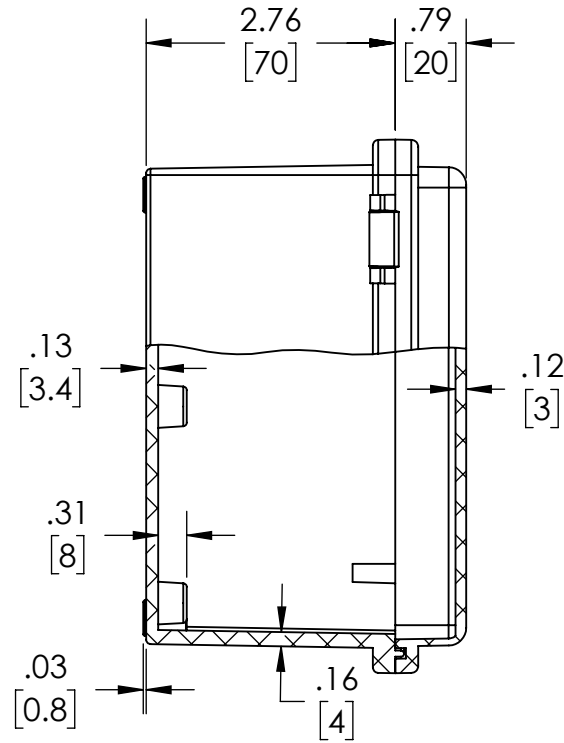
NBB-10240

REVISION DATE

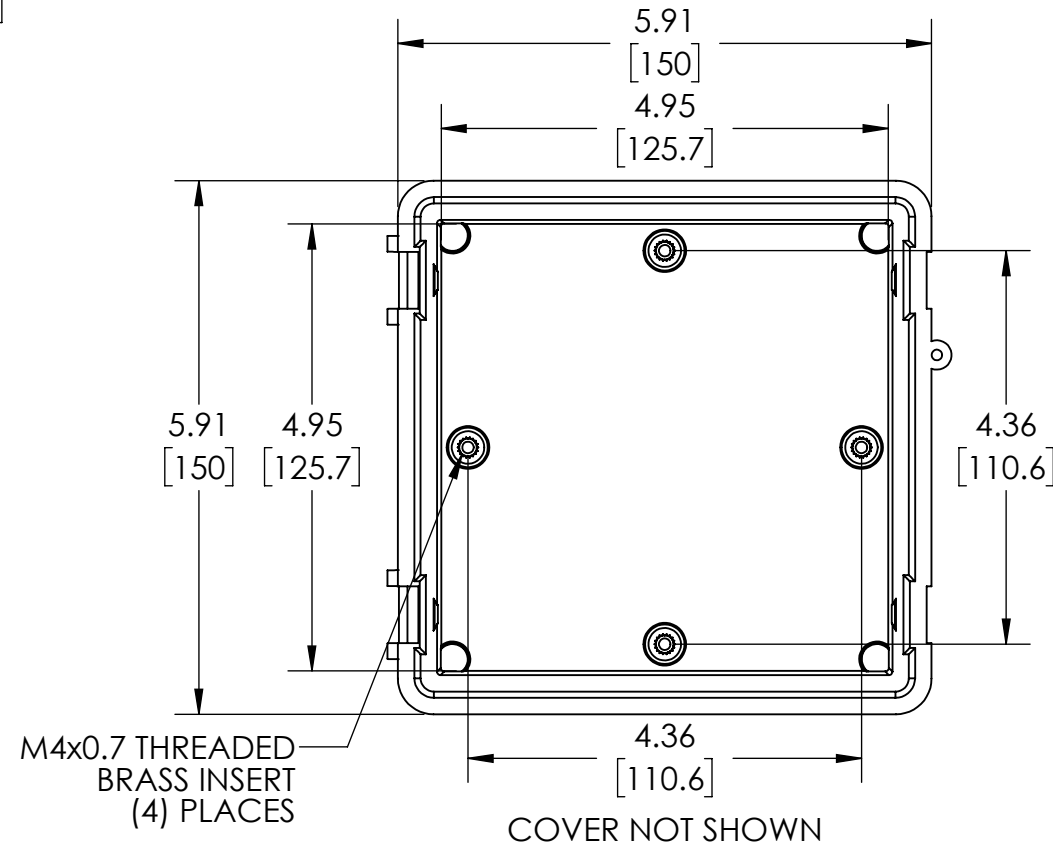
10-26-17

**DRAWING FOR REFERENCE**

WE RESERVE THE RIGHT TO MAKE CHANGES TO OUR STANDARD PRODUCTS. PLEASE CONSULT WITH BUD INDUSTRIES PRIOR TO USING THIS DRAWING FOR DESIGN PURPOSE.



M4x0.7 THREADED BRASS INSERT (4) PLACES



**NOTES:**

1- MATERIAL: BODY & COVER - LIGHT GRAY ABS/PC BLENDED PLASTIC  
UL94-5VA FLAMMABILITY RATING

WALL MOUNTING BRACKETS - STAINLESS STEEL

2- GRAY POLYURETHANE GASKET IN COVER

3- SUPPLIED WITH FOUR WALL MOUNTING BRACKETS AND (4) M4x0.7 x 8mm LG. TRUSS HEAD STAINLESS STEEL MACHINE SCREWS (ITEMS NOT SHOWN)

4- DIMENSIONS ARE INCH [MM]

5- DIMENSION TOLERANCE  $\pm .04[\pm 1]$