



PART  
NAME

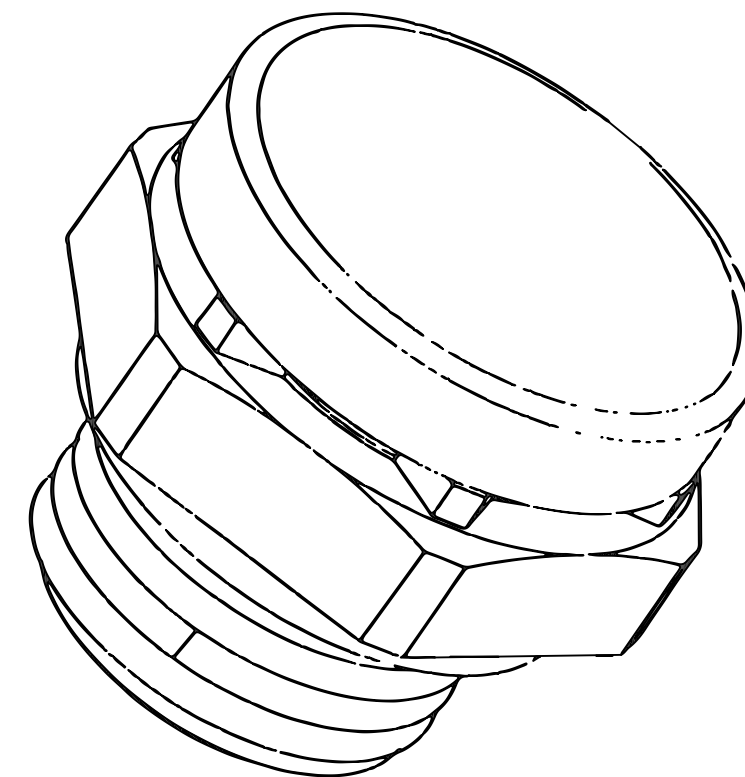
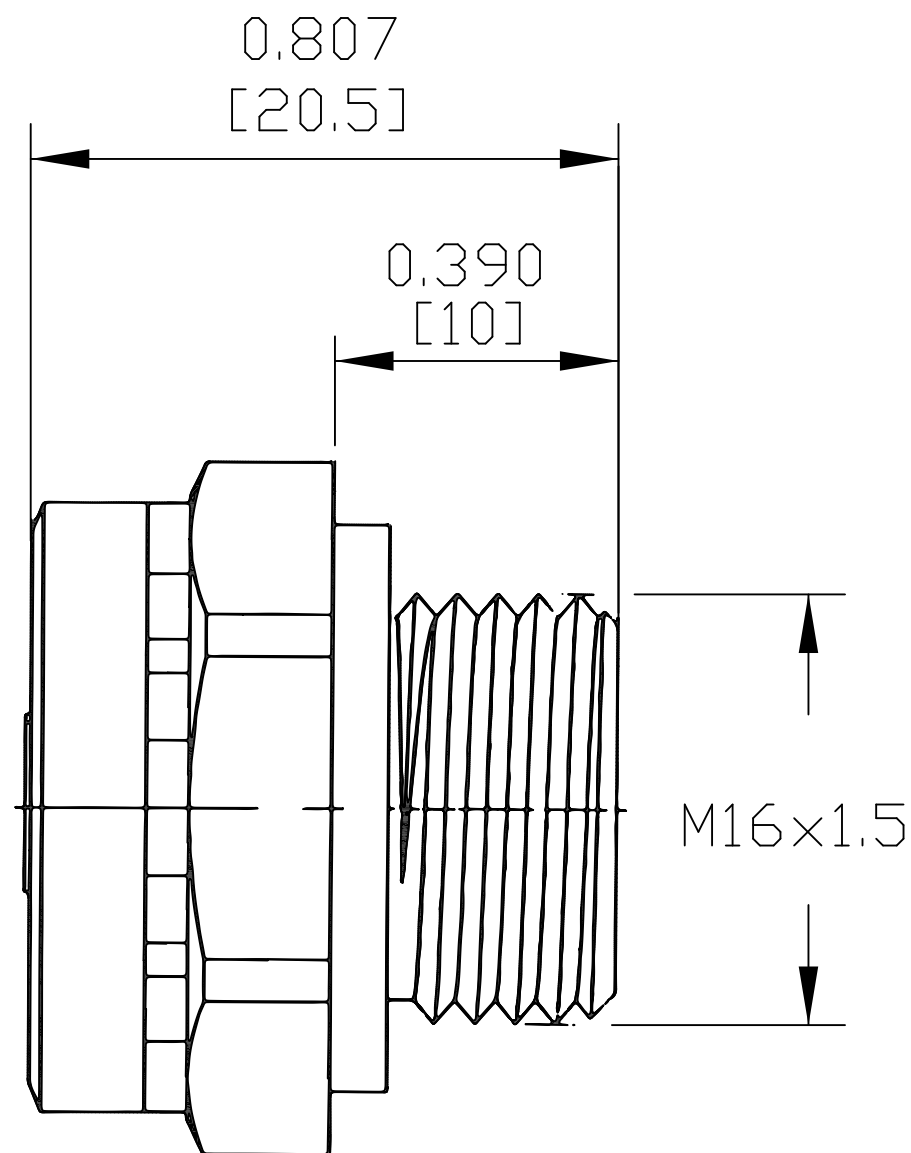
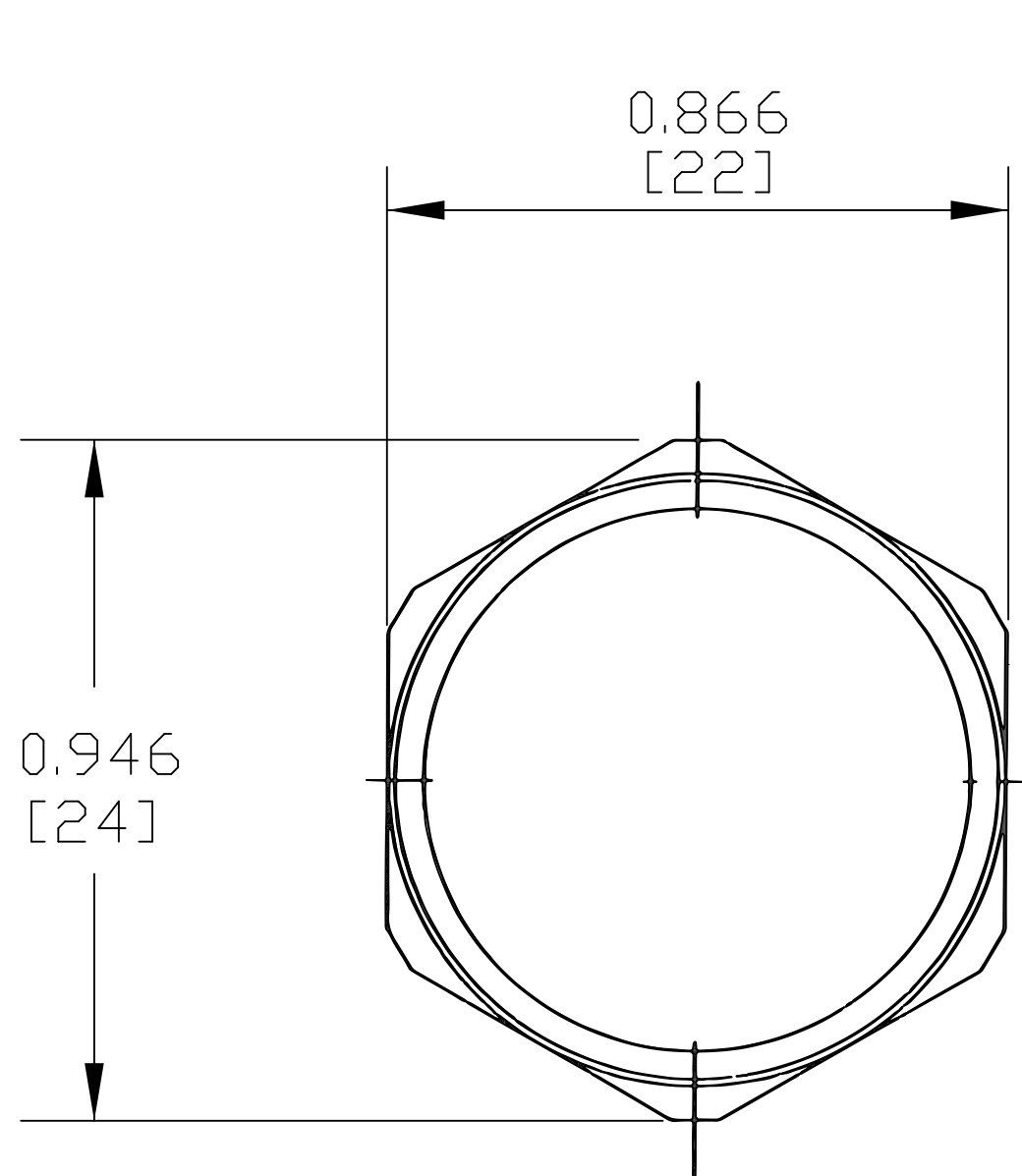
M16 X 1.5 VENT PLUG, BLACK, WITH O-RING WASHER

PART  
No.

IPV-67161-B

REV.  
DATE

5/29/19



DRAWING FOR REFERENCE  
 WE RESERVE THE RIGHT TO MAKE CHANGES TO OUR  
 STANDARD PRODUCTS. PLEASE CONSULT WITH BUD INDUSTRIES  
 PRIOR TO USING THIS DRAWING FOR DESIGN PURPOSE.

- NOTES:
- 1- BODY MATERIAL - PC (IP67)  
 MEMBRANE MATERIAL - e-PTFE  
 O-RING WASHER MATERIAL - SILICONE
  - 2- FINISH - BLACK
  - 3- DIMENSIONS ARE INCH  
 [MM]