

Type PUL-05 Fuse Puller and Tester Regular Auto Blade Fuses



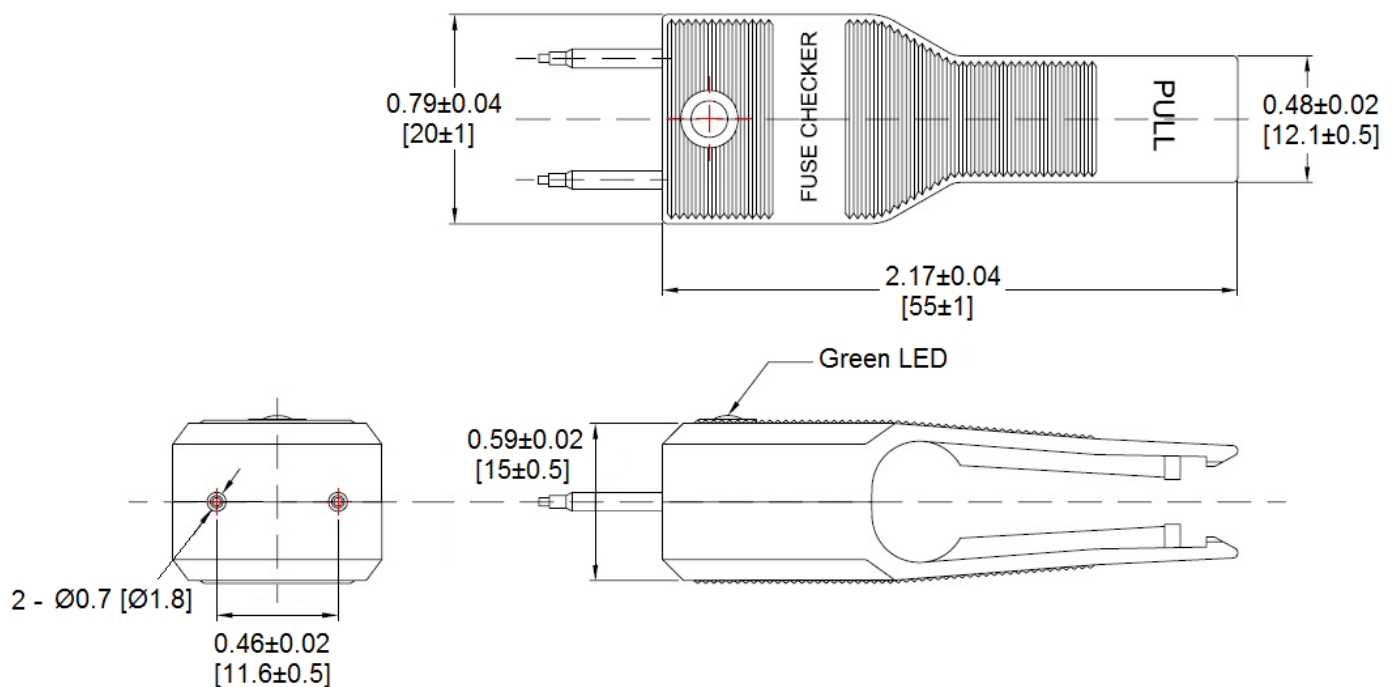
www.optifuse.com

(619)-593-5050

Fuse Style: Regular (APR series) Auto Blade Fuses

- Use to remove or insert or test fuses.
- Can test fuses in or out of a fuse block.
- Has a green indicator light on the end of the tester. Indicator light will remain on if fuse is broken. If fuse is good, the LED light will not be lighted.

Product Dimensions: Inches [mm]



Warning:



-Operation beyond the specified maximum ratings or improper use may result in damage and possible electrical arcing and/or flame.

-Avoid contact of Fuse Puller with chemical solvent. Prolonged contact will damage the device performance.