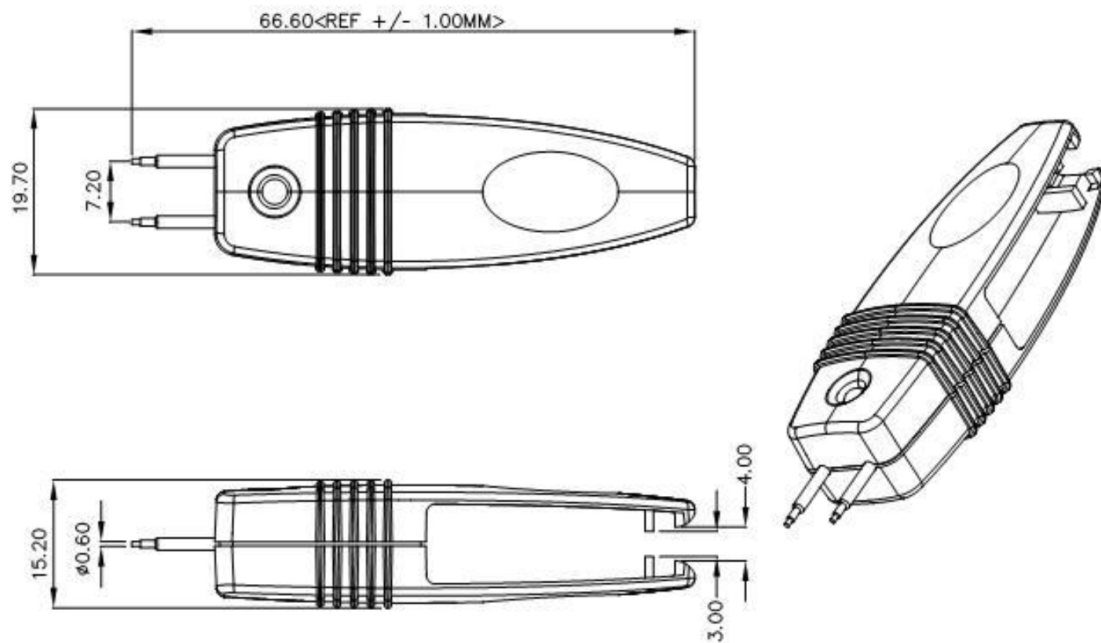


Mechanical Dimensions: Inches [mm]Tolerances ± 0.2 Unless Otherwise Specified**Mini Fuse Puller & Tester with LED**

Applications: MIN-N (ATM & MIN) Fuse

Body Color: White

LED : $\varnothing 3.0$ mm Color: Green

Dimensions (L x W x H): 66.6 x 19.7 x 15.2 mm

Fuse Testing : If the fuse is broken, the LED will not light., if the fuse remains functional, the LED will Light.

Rev	Date of issue	Revision Notes	Designed	Approved
A	05-29-2019	Initial Drawing	RC	OH