

Type PMG-KS-01-Q2R
Panel Mount Fuse Holder
13/32" x 1 1/2" (10.3 x 38.1mm)
Knob/Screw – Dustproof/Splashproof



www.optifuse.com

(619) 593-5050

Electrical Rating: 30A, 600V AC

Fuse Style: 13/32" x 1 1/2" (10.3 x 38.1mm) – For use with UL Class M Fuses

Material:

Frame: PBT (UL flame: 94-HB)

Cap: Phenolic (UL flame: 94V-0)

Terminals: Tin-plated copper

Cap: Knob type, Screw type, Dustproof/Splashproof – Rated to IP-67

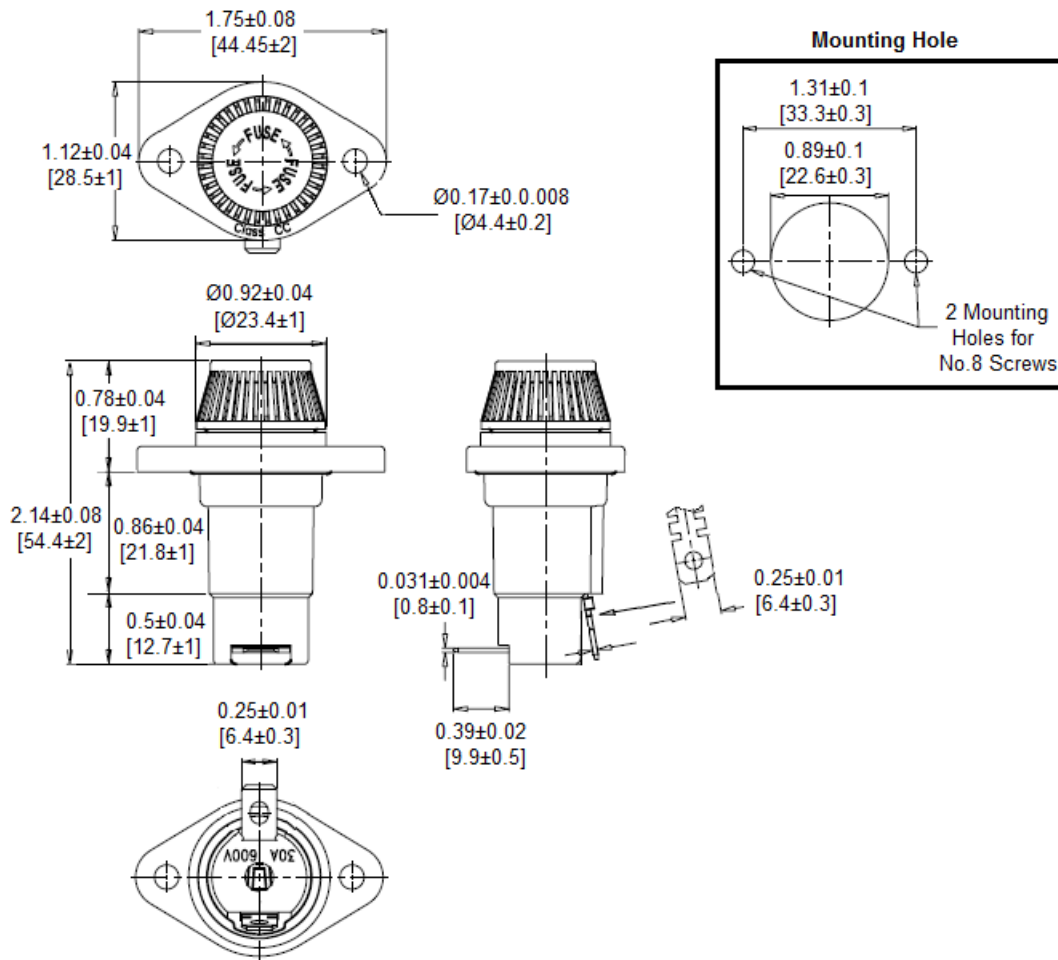
Mounting: Flange mounting – Two (2) No. 8 screws (not included)

Terminal: Solder/Quick-connect 6.4mm / 0.250"

Agency Standards and Listings:



Product Dimensions: Inches [mm]



Warning:



- Operation beyond the specified maximum ratings or improper use may result in damage and possible electrical arcing and/or flame.
- Fuse Holders are not intended for circuit disconnect. All power should be disconnected before removing fuse.
- Avoid contact of Fuse Holder with chemical solvent. Prolonged contact may damage the device performance.