

Type PMA-KS-05-Q1R

Panel Mount Fuse Holder

1/4" x 1/4" (6.3 x 32mm) Fuses

Knob / Screw



www.optifuse.com

(619) 593-5050

Electrical Rating: 15A, 250V AC

Fuse Style: 1/4" x 1/4" (6.3 x 32mm)

Material:

Frame and Cap: PBT (UL flame: 94V-0)

Terminals: Tin-plated brass

Cap: Knob type, Screw type

Mounting: by nut

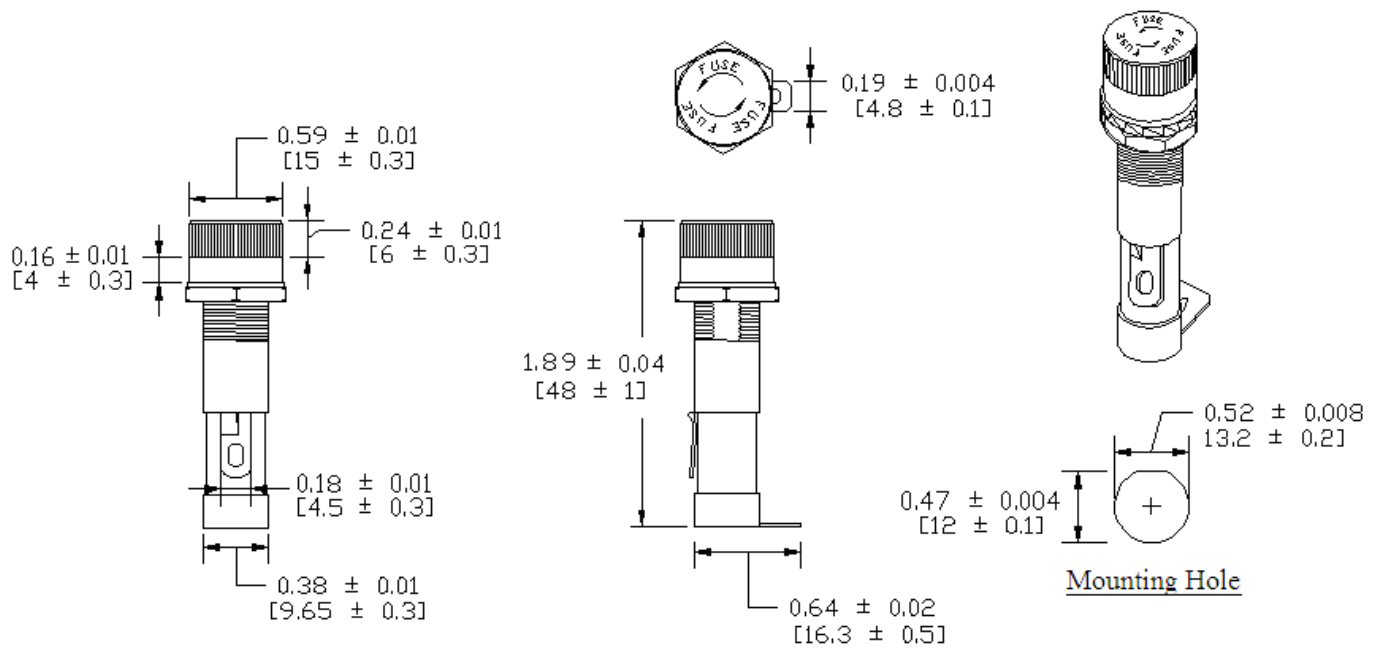
Terminal: Solder/Quick-Connect 4.8mm / 0.187"

Panel Thickness: 4.5mm MAX

Agency Standards and Listings:



Product Dimensions: Inches [mm]



Warning:



- Operation beyond the specified maximum ratings or improper use may result in damage and possible electrical arcing and/or flame.
- Fuse Holders are not intended for circuit disconnect. All power should be disconnected before removing fuse.
- Avoid contact of Fuse Holder with chemical solvent. Prolonged contact may damage the device performance.