

# Type PMA-KB-05-Q1R

## Panel Mount Fuse Holder

### 1/4" x 1 1/4" (6.3 x 32mm) Fuses

### Knob / Bayonet



www.optifuse.com (619) 593-5050

**Electrical Rating:** 15A, 250V AC

**Fuse Style:** 1/4" x 1 1/4" (6.3x 32mm)

**Material:**

**Frame and Cap:** PBT (UL flame: 94V-0)

**Terminals:** Tin-plated brass

**Cap:** Knob type, Bayonet type

**Mounting:** by nut

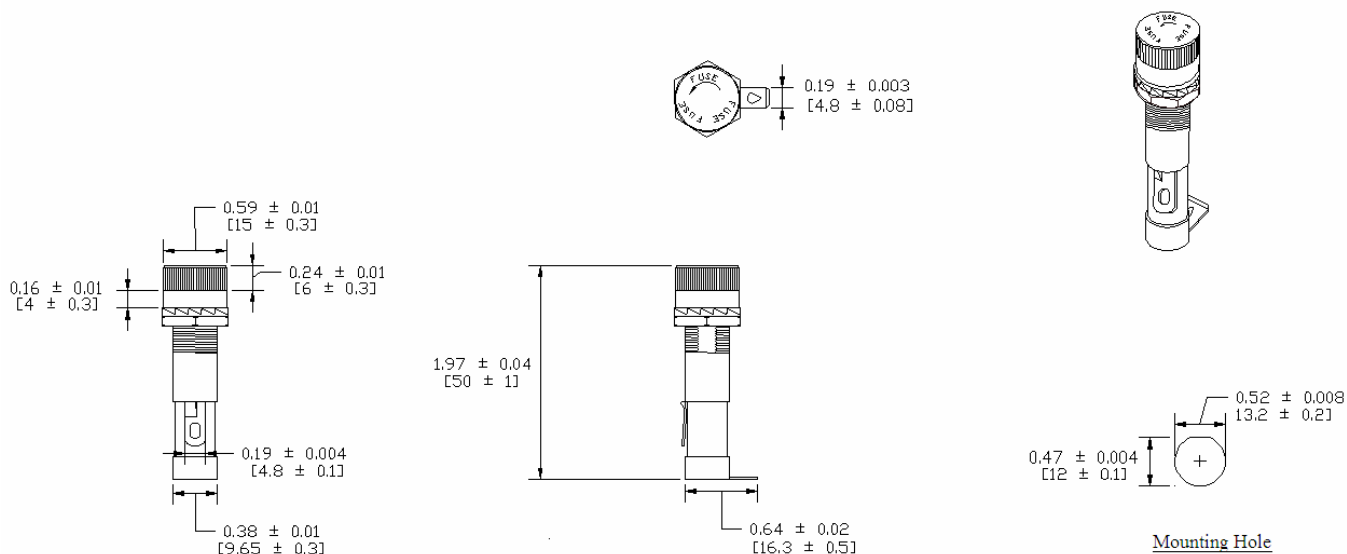
**Terminal:** Solder/Quick-Connect 4.8mm / 0.187"

**Panel Thickness:** 4.5mm MAX

**Agency Standards and Listings:**



**Product Dimensions: Inches [mm]**



#### Warning:



- Operation beyond the specified maximum ratings or improper use may result in damage and possible electrical arcing and/or flame.
- Fuse Holders are not intended for circuit disconnect. All power should be disconnected before removing fuse.
- Avoid contact of Fuse Holder with chemical solvent. Prolonged contact may damage the device performance.