

Type PMA-KB-02-Q1S

Panel Mount Fuse Holder

1/4" x 1 1/4" (6.3 x 32mm) Fuses

Knob / Bayonet



www.optifuse.com (619) 593-5050

Electrical Rating: 10A, 250V AC
Fuse Style: 1/4" x 1 1/4" (6.3 x 32mm)

Material:

Frame and Cap: Phenolic (UL flame: 94V-1)

Terminals: Nickel-plated brass

Cap: Knob type, Bayonet type

Mounting: by metal nut

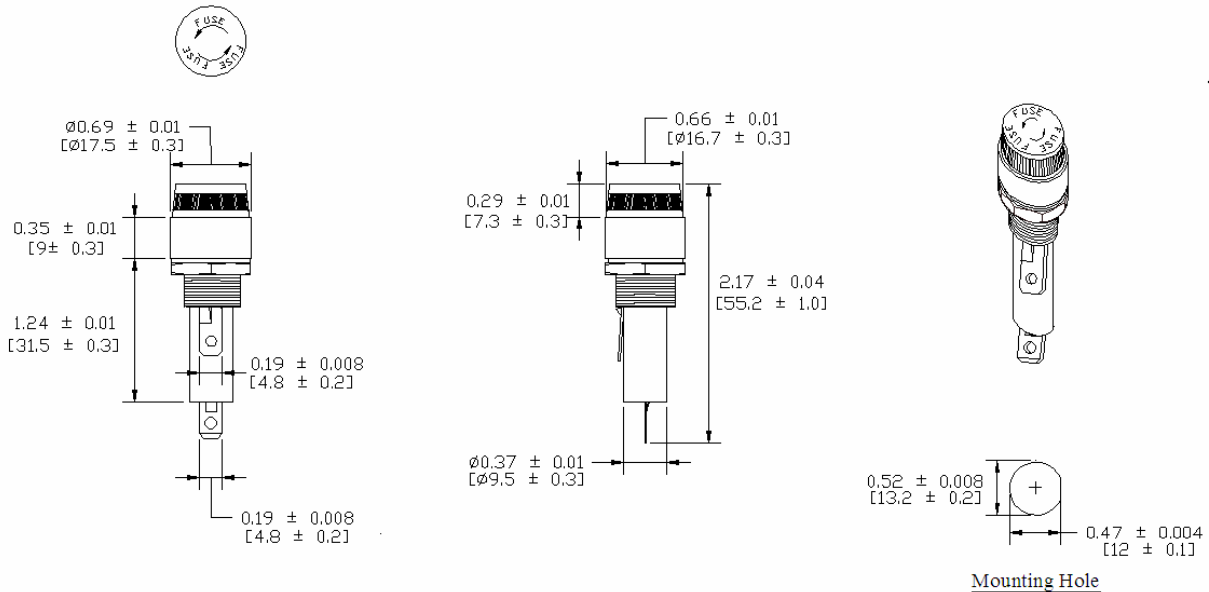
Terminal: Solder/Quick-Connect 4.8mm / 0.187"

Panel Thickness: 0.5 ~ 6.5mm

Agency Standards and Listings:



Product Dimensions: Inches [mm]



Warning:



- Operation beyond the specified maximum ratings or improper use may result in damage and possible electrical arcing and/or flame.
- Fuse Holders are not intended for circuit disconnect. All power should be disconnected before removing fuse.
- Avoid contact of Fuse Holder with chemical solvent. Prolonged contact may damage the device performance.