

Type PMA-KB-01H-SOS

Panel Mount Fuse Holder

1/4" x 1 1/4" (6.3 x 32mm) Fuses

Knob / Bayonet – High Amp



www.optifuse.com (619) 593-5050

Electrical Rating: 30A, 250V AC
Fuse Style: 1/4" x 1 1/4" (6.3 x 32mm)

Material:

Frame and Cap: Phenolic (UL flame: 94V-1)

Terminals: Tin-plated brass

Cap: Knob type, Bayonet type

Mounting: by metal nut

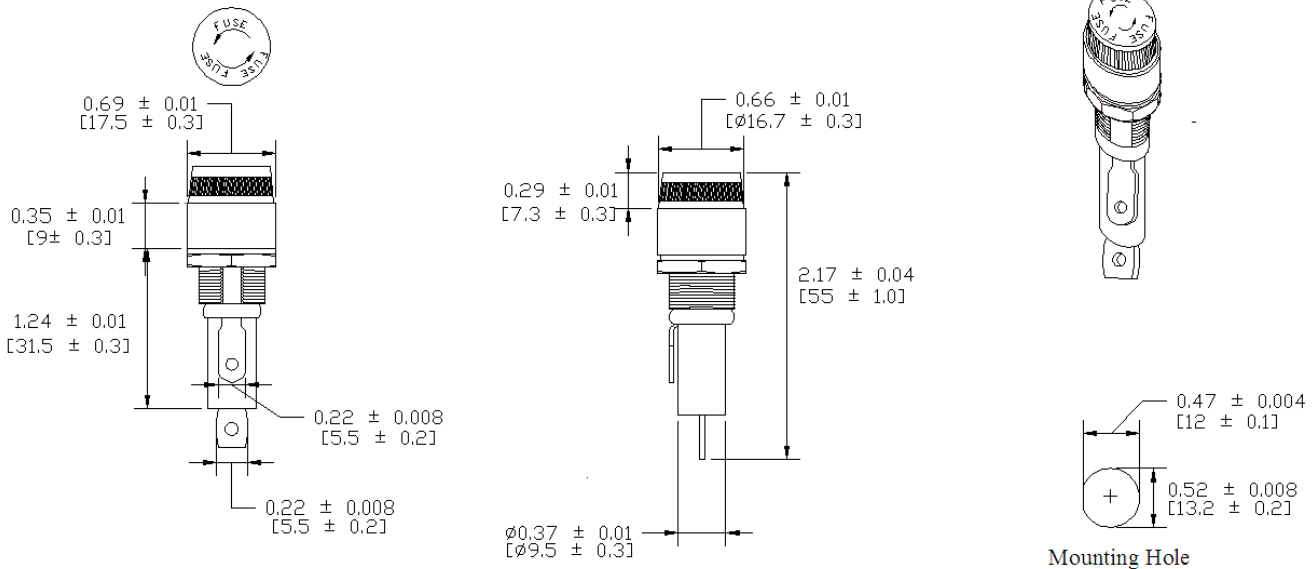
Terminal: Solder 5.5mm / 0.230"


Panel Thickness: 0.5 ~ 6.5mm

Agency Standards and Listings:



Product Dimensions: Inches [mm]



<p>Warning:</p> 	<ul style="list-style-type: none"> -Operation beyond the specified maximum ratings or improper use may result in damage and possible electrical arcing and/or flame. -Fuse Holders are not intended for circuit disconnect. All power should be disconnected before removing fuse. -Avoid contact of Fuse Holder with chemical solvent. Prolonged contact may damage the device performance.
--	---