

Type PMA-DS-09-Q2S Panel Mount Fuse Holder 1/4" x 1 1/4" (6.3 x 32mm) Fuses Driver / Screw



www.optifuse.com

(619) 593-5050

Electrical Rating: 10A, 250V AC

Fuse Style: 1/4" x 1 1/4" (6.3 x 32mm)

Material:

Frame: Polycarbonate (UL flame: 94V-2)

Cap: PBT (UL flame: 94V-0)

Terminals: Nickel-plated brass

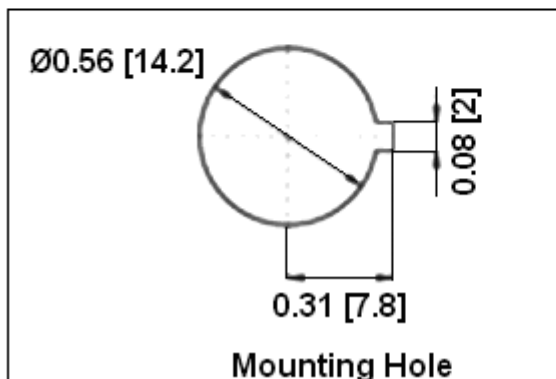
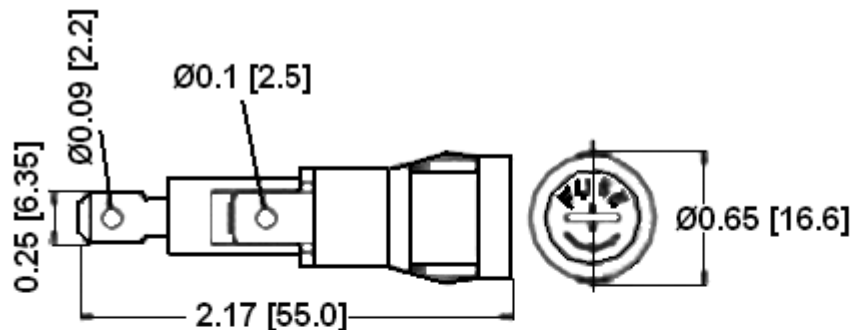
Cap: Slotted Driver type, Screw type

Mounting: by nut and washer

Terminal: Solder/Quick-Connect 6.4mm / 0.250"

Panel Thickness: 7.5 ~ 3.5mm

Product Dimensions: Inches [mm]



Warning:



- Operation beyond the specified maximum ratings or improper use may result in damage and possible electrical arcing and/or flame.
- Fuse Holders are not intended for circuit disconnect. All power should be disconnected before removing fuse.
- Avoid contact of Fuse Holder with chemical solvent. Prolonged contact may damage the device performance.