

**Type PMA-DS-01-Q1S**  
**Panel Mount Fuse Holder**  
**1/4" x 1 1/4" (6.3 x 32mm) Fuses**  
**Driver / Screw**



www.optifuse.com (619) 593-5050

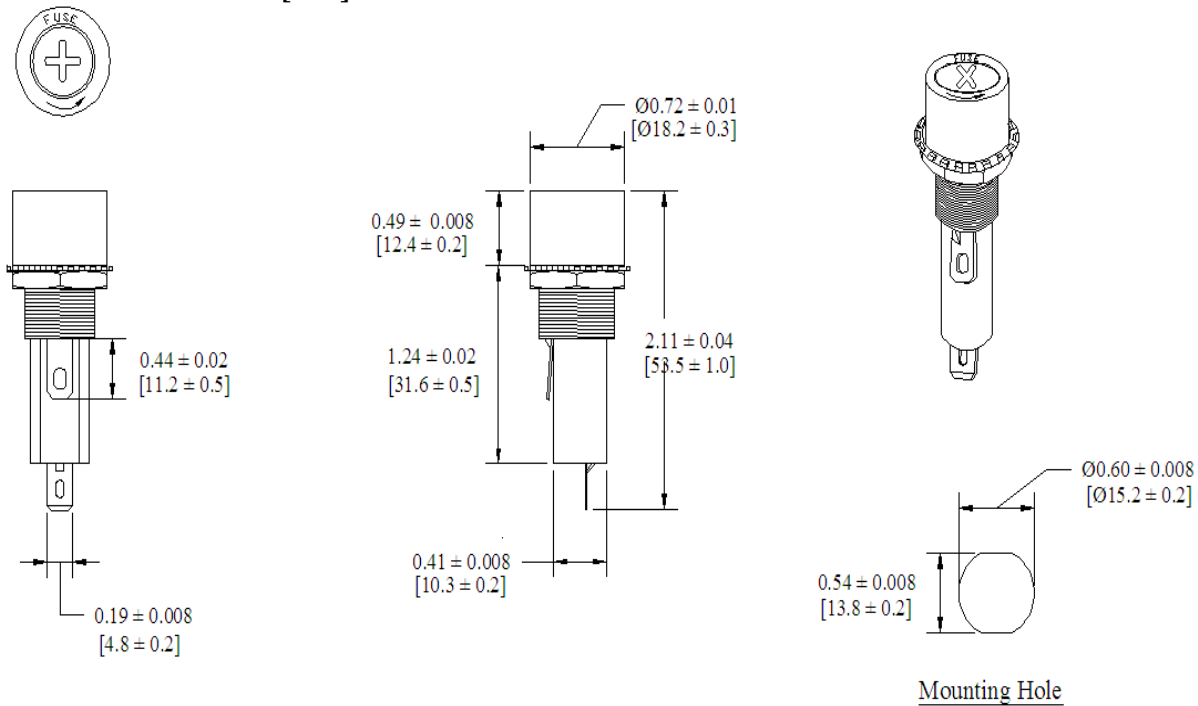
**Electrical Rating:** 10A, 250V AC  
**Fuse Style:** 1/4" x 1 1/4" (6.3 x 32mm)

**Material:**  
**Frame and Cap:** Phenolic (UL flame: 94V-1)  
**Terminals:** Nickel-plated brass  
**Cap:** Slotted Driver type, Screw type  
**Mounting:** by nut  
**Terminal:** Solder/Quick-Connect 4.8mm / 0.187"  
**Panel Thickness:** 0.5 ~ 5mm

**Agency Standards and Listings:**



**Product Dimensions: Inches [mm]**



**Warning:**



- Operation beyond the specified maximum ratings or improper use may result in damage and possible electrical arcing and/or flame.
- Fuse Holders are not intended for circuit disconnect. All power should be disconnected before removing fuse.
- Avoid contact of Fuse Holder with chemical solvent. Prolonged contact may damage the device performance.