

Type MIDA
Fast Acting Automotive (MIDI®)*
Limiter Fuse
30mm Center to Center Bolt-On



www.optifuse.com (619) 593-5050

Interrupting Rating: 1000A @ 32VDC
Operating Temperature: -40°C ~ 125°C
Material: Housing – Thermoplastic (UL 94-V0), Connectors – Zinc-alloy

Electrical Characteristics:

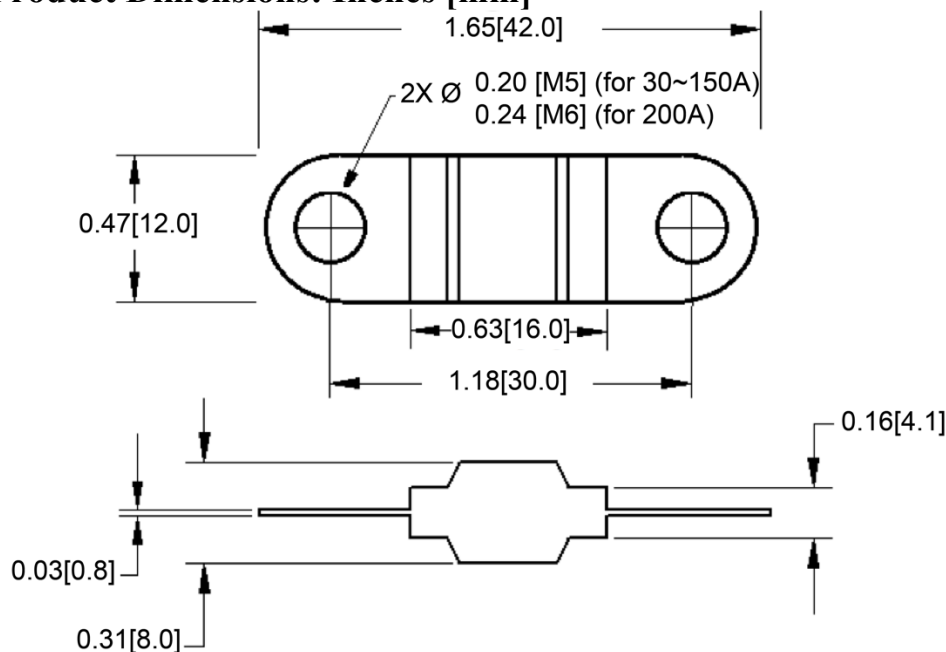
Rating	110%	150%	200%	300%	500%
Opening Time	Min 4 hr.	90 sec ~ 3600 sec	1 sec ~ 100 sec	300ms ~ 3sec	100ms ~ 1sec

- Opening times based on ambient temperature of 23° C

Product Information

Part Number	Ampere Rating	Voltage Rating (VDC)	Stamp Color Code	Nominal Cold Resistance (mΩ)
MIDA-030	30	32	Orange	N/A
MIDA-040	40	32	Green	1.3
MIDA-050	50	32	Red	1.04
MIDA-060	60	32	Yellow	0.87
MIDA-070	70	32	Brown	0.72
MIDA-080	80	32	Clear	0.56
MIDA-100	100	32	Blue	0.45
MIDA-125	125	32	Pink	0.40
MIDA-150	150	32	Gray	0.33
MIDA-200	200	32	Violet	N/A

Product Dimensions: Inches [mm]



Note: All specifications subject to change without notice.

Rev B 01/2020 - Page: 1/2
 Code: G02-01H

* MIDI® is a registered trademark of Littelfuse.

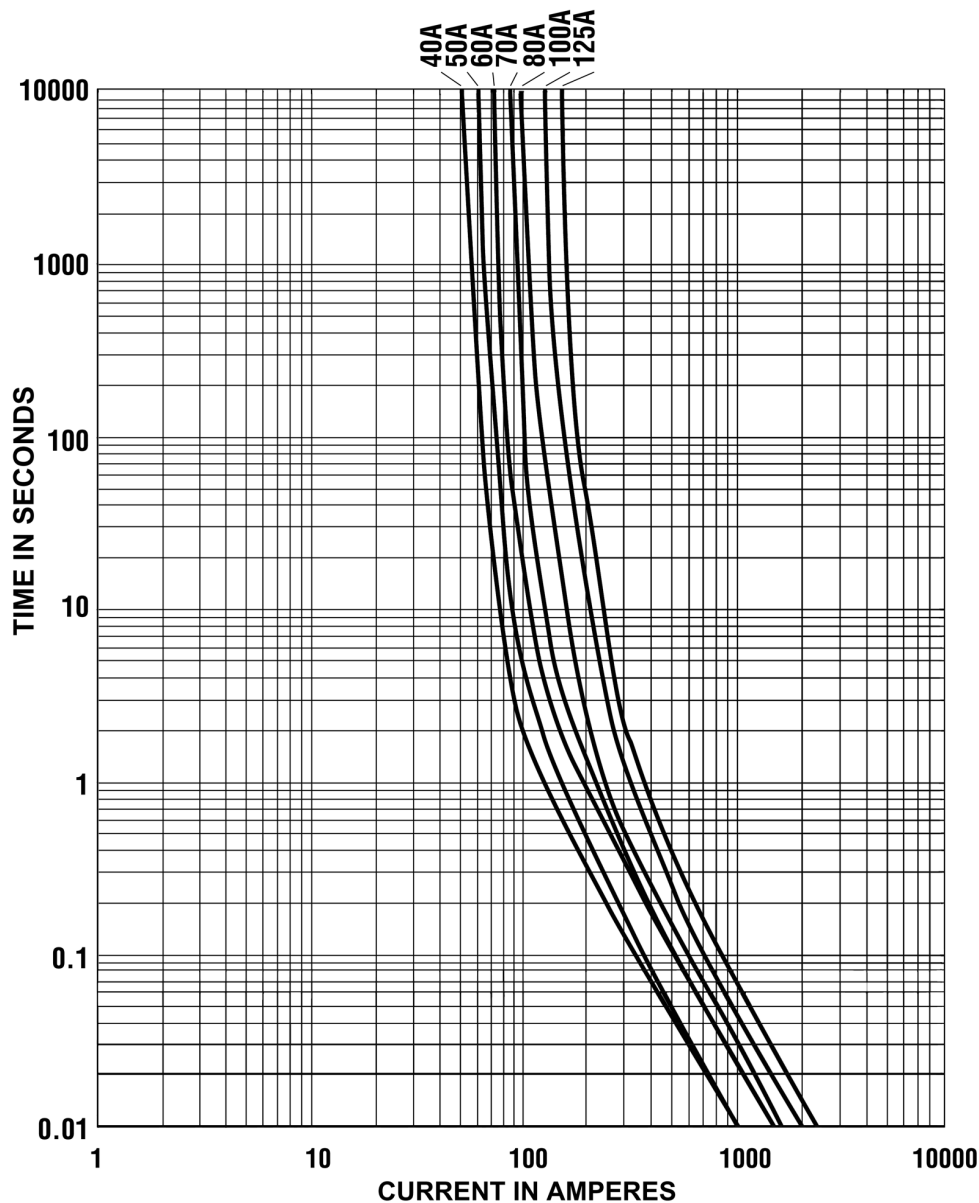
Type MIDA
Fast Acting Automotive (MIDI®)*
Limiter Fuse
30mm Center to Center Bolt-On



www.optifuse.com

(619) 593-5050

Average Time Current Curves:



Warning:



-Operation beyond the specified maximum ratings or improper use may result in damage and possible electrical arcing and/or flame.
 -Limiter Fuses are intended for occasional overcurrent protection. Application for repeated overcurrent condition and/or prolonged trip are not anticipated.
 -Avoid contact of Limiter Fuses with chemical solvent. Prolonged contact will damage the device performance.

Note: All specifications subject to change without notice.

Rev B 01/2020 - Page: 2/2
 Code: G02-01H

* MIDI® is a registered trademark of Littelfuse.