

# Type LPR-05

## Water-Proof In-Line Fuse Holder

### Automotive Blade Type



www.optifuse.com (619) 593-5050

**Specifications:**

- Rating:** 32VDC
- IP Rating:** IP67
- Body Material:** PVC
- For use w/ Type APR, ANR Fuse (Regular-Automotive Blade)
- Water-proof with Inter-Locking Cap**
- Attached Mounting Bracket**
- Standard Wire:** #12AWG – 5” - Orange Color
- (Other wire sizes and colors available as special order)

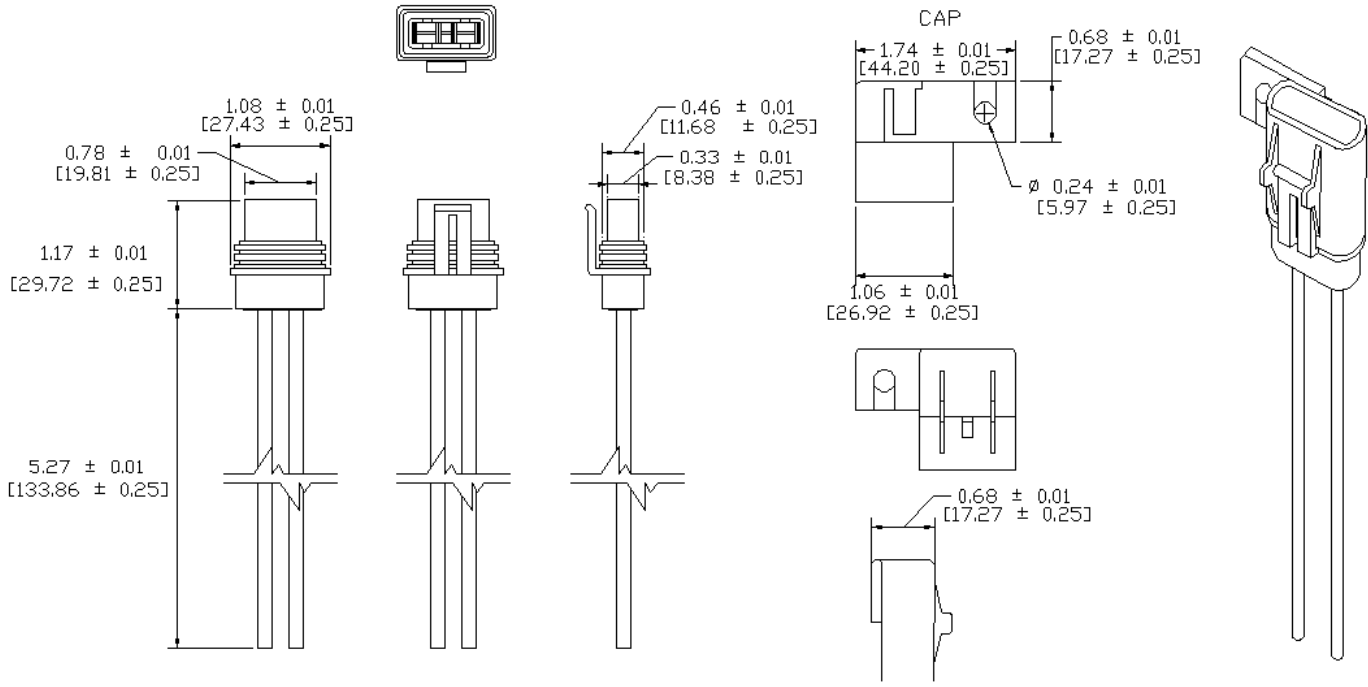
Wire Gauge	Max. Amperage
#12	30A
#16	15A

**Part number format**

**LPR-05B-##Z**

- Where
- ##** = Wire Gauge (12,16 AWG)
  - Z** = Wire Color
  - Orange or Red

**Mechanical Dimensions: Inches [mm]**



<p><b>Warning:</b></p>	<ul style="list-style-type: none"> <li>-Operation beyond the specified maximum ratings or improper use may result in damage and possible electrical arcing and/or flame.</li> <li>-Device are intended for occasional overcurrent protection. Application for repeated overcurrent condition and/or prolonged trip are not anticipated.</li> <li>-Avoid contact of device with chemical solvent. Prolonged contact will damage the device performance.</li> <li>- Not intended for submersible water applications.</li> </ul>
------------------------	---

Note: All specifications subject to change without notice.