

Type LPK-08 “Add-On” Automotive Fuse Holder Micro, 3-Leg Auto Blade Type Fuse



www.optifuse.com

(619) 593-5050

Fuse Type: Micro, 3-Leg Automotive Blade - ANK Fuse Series

Rating: 58VDC

Max Combined Current - Both Circuits - 30A

Max Existing Circuit - 20A

Max Add-on Circuit - 15A

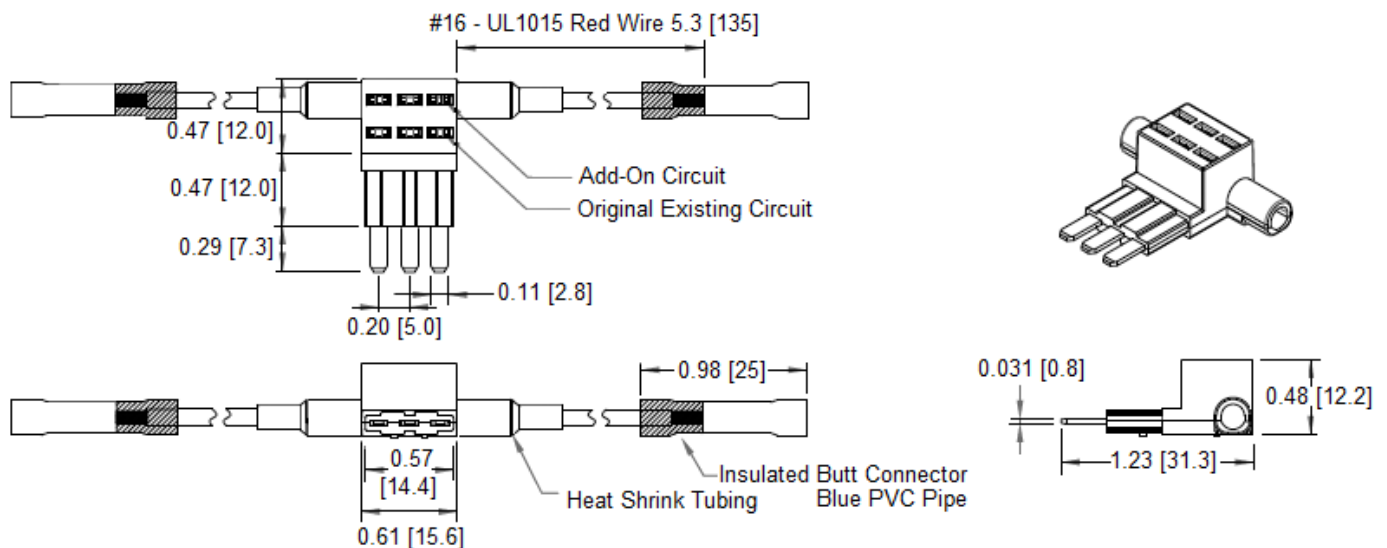
Body Material: Nylon PA66 UL 94V-0

Terminals: Tin Plated Brass

Wire: 16 AWG UL1015 Red Wire

Connector: Butt-Splice Connector

Mechanical Dimensions: Inches [mm]



	<p>Warning: -Operation beyond the specified maximum ratings or improper use may result in damage and possible electrical arcing and/or flame.</p>
	<p>-Device is intended for occasional overcurrent protection. Application for repeated overcurrent condition and/or prolonged trip are not anticipated.</p>
	<p>-Avoid contact of device with chemical solvent. Prolonged contact will damage the device performance.</p>