

Type LPC-08 In-Line Fuse Holder 5 x 20mm Fuses



www.optifuse.com (619) 593-5050

Ratings:

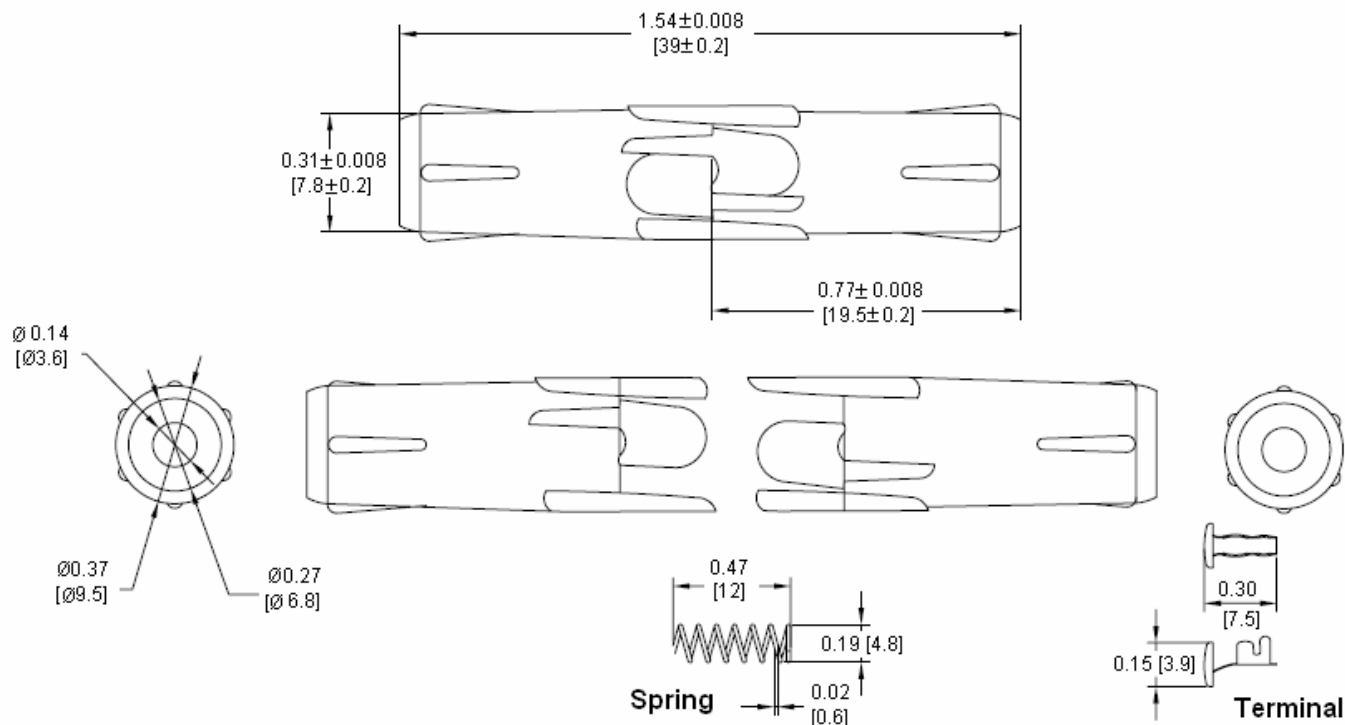
- Fuse Type:** 5 x 20mm
- Electrical Rating:** 10A 32VDC
- Body:** Polycarbonate
- Contacts:** Brass
- Standard Wire Sizes:** #18 AWG
- Standard Wire Colors:** Red
- Standard Body colors:** Black
- Standard Wire Length:** 6 inches (150mm)

Part number format

LPC-08B-##R
where ## = Wire gauge

Available in various wire gauges and lengths, and body and wire colors.
Contact factory for those not listed above.

Mechanical Dimensions: Inches [mm]



Warning:



- Operation beyond the specified maximum ratings or improper use may result in damage and possible electrical arcing and/or flame.
- Avoid contact of device with chemical solvent. Prolonged contact may damage the device performance.
- Not designed for prolonged liquid exposure or submersible applications.