

Type LPA-09 In-Line Fuse Holder 1/4" (6.3mm) Diameter Fuses



www.optifuse.com (619) 593-5050

Ratings:

Fuse Type: 1/4" (6.3mm) Diameter
Electrical Rating: 20A 32VAC
Body: Bakelite
Contacts: Brass, Tin/Nickel Plated
Standard Wire Sizes: #14 AWG
Standard Wire Colors: Red
Standard Body colors: Black
Standard Wire Length: 18 inch loop

Part Number Format

LPA-09B-##R-U
 where ## = Wire gauge
 with 3 different size springs-Universal

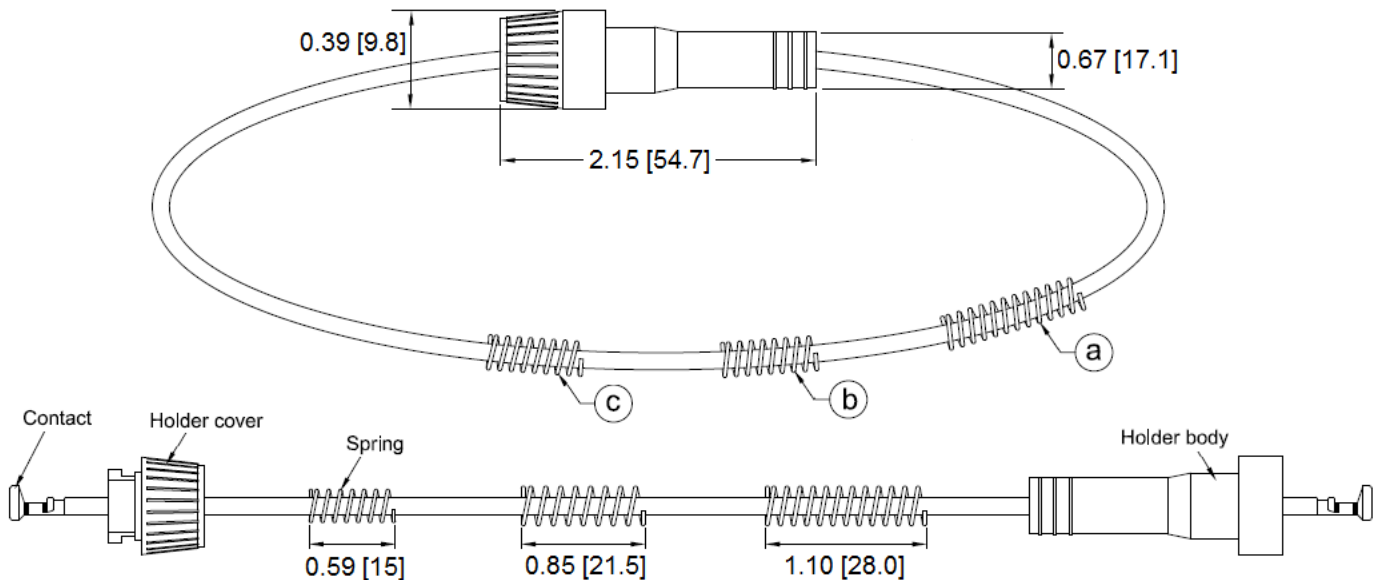
LPA-09B-##R-X
 where ## = Wire gauge
 where X = 20, 14, 9 depending on your fuse size
 20A – for 1 1/4" x 1/4" fuses
 14A – for 1 1/16" x 1/4", 1" x 1/4" fuses
 9A – for 7/8" x 1/4", 3/4" x 1/4", 5/8" x 1/4" fuses

The LPA-09-14R-**U** is **Universal** – it comes with 3 different sizes of springs which can be installed by the user to accommodate fuses ranging from 5/8" to 1 1/4" in length.

The Spring may be **pre-installed** using part numbers

- LPA-09B-14R-20A – **for** 1 1/4" Fuses
- LPA-09B-14R-14A – **for** 1 1/16" / 1" Fuses
- LPA-09B-14R-9A – **for** 7/8" / 3/4" / 5/8" Fuses

Mechanical Dimensions: Inches [mm]



Part Number	Spring Size	1/4" Fuse Size
LPA-09B-14R-20A	0.59"L [15mm]	1 1/4"
LPA-09B-14R-14A	0.85"L [21.5mm]	1 1/16" / 1"
LPA-09B-14R-9A	1.10"L [28mm]	7/8" / 3/4" / 5/8"
LPA-09B-14R-U	0.59"L [15mm] , 0.85"L [21.5mm] , 1.10"L [28mm]	ALL SIZES

Warning:



-Operation beyond the specified maximum ratings or improper use may result in damage and possible electrical arcing and/or flame.
 -Avoid contact of device with chemical solvent. Prolonged contact may damage the device performance.
 -Not designed for prolonged liquid exposure or submersible applications.

Note: All specifications subject to change without notice.

Rev B 06/2014 - Page: 1/1
 Code J01-01H