

Type LPA-06 In-Line Fuse Holder 1/4" x 1 1/4" (6.3 x 32mm) Fuses



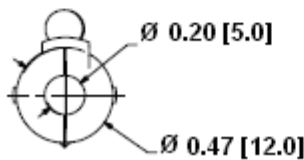
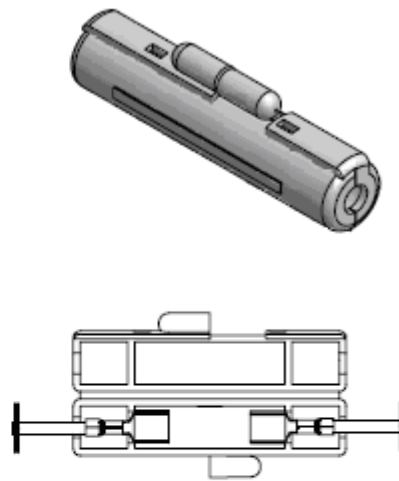
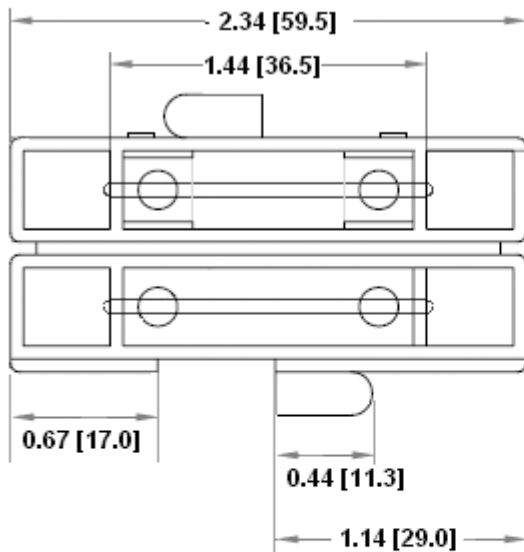
www.optifuse.com (619) 593-5050

Ratings:

- Fuse Type:** 1/4" x 1 1/4" (6.3 x 32mm)
- Electrical Rating:** 32VDC
- Body:** Nylon
- Contacts:** Tin plated Brass
- Standard Wire Sizes:** #16 ~ #20 AWG
- Standard Body colors:** White
- Standard Wire Colors:** Red or Black
- Standard Wire Length:** 8 inch wire loop

Available in various wire gauges, lengths and colors.
Contact factory for those not listed above.

Mechanical Dimensions: Inches [mm]



Part number format

LPA-06W-##Z

where ## = Wire gauge
where Z = Wire Color (R or B)

Wire Gauge	Max. Amperage
16 AWG	15 A
18 AWG	10 A
20 AWG	7.5 A

Warning:



- Operation beyond the specified maximum ratings or improper use may result in damage and possible electrical arcing and/or flame.
- Avoid contact of device with chemical solvent. Prolonged contact may damage the device performance.