

Type LPA-03 In-Line Fuse Holder 1/4" x 1 1/4" (6.3 x 30mm) Fuses Splashproof



www.optifuse.com

(619) 593-5050

Ratings:

Fuse Type: 1/4" x 1 1/4" (6.35 x 30mm or 6.35 x 32mm)

Electrical Rating: 30A 32VDC

Body: Thermoplastic rubber / PVC

Contacts: Brass with tin plated

Available for wire sizes: # 10 ~ #20 AWG

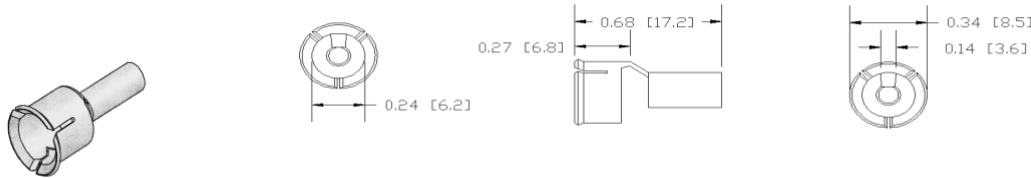
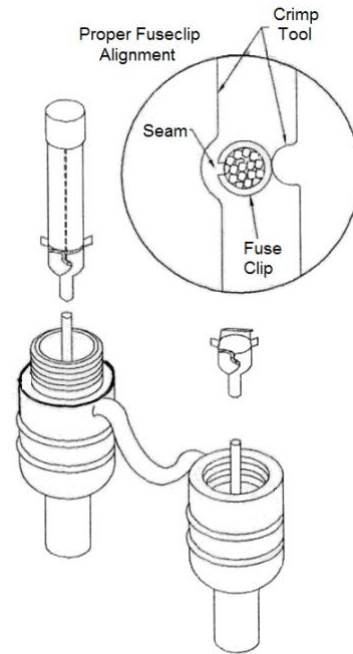
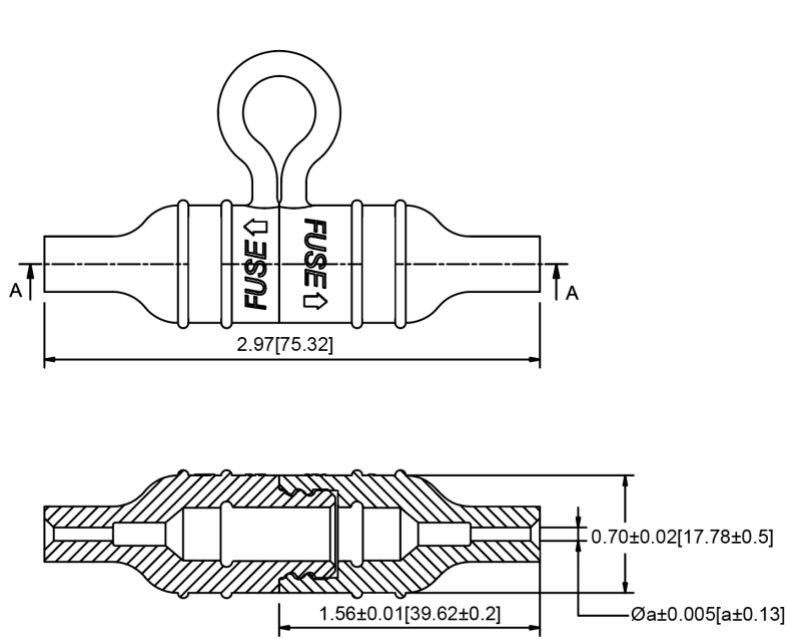
Part number format

LPA-03Y Yellow Body / No Wire

LPA-03Y-##R

Where ## is wire gauge

Mechanical Dimensions: Inches [mm]



Warning:



- Operation beyond the specified maximum ratings or improper use may result in damage and possible electrical arcing and/or flame.
- Avoid contact of device with chemical solvent. Prolonged contact will damage the device performance.
- Not designed for prolonged liquid exposure or submersible applications.