

# Type HPT Telecom Fuseholder



www.optifuse.com

(619) 593-5050

## Ratings:

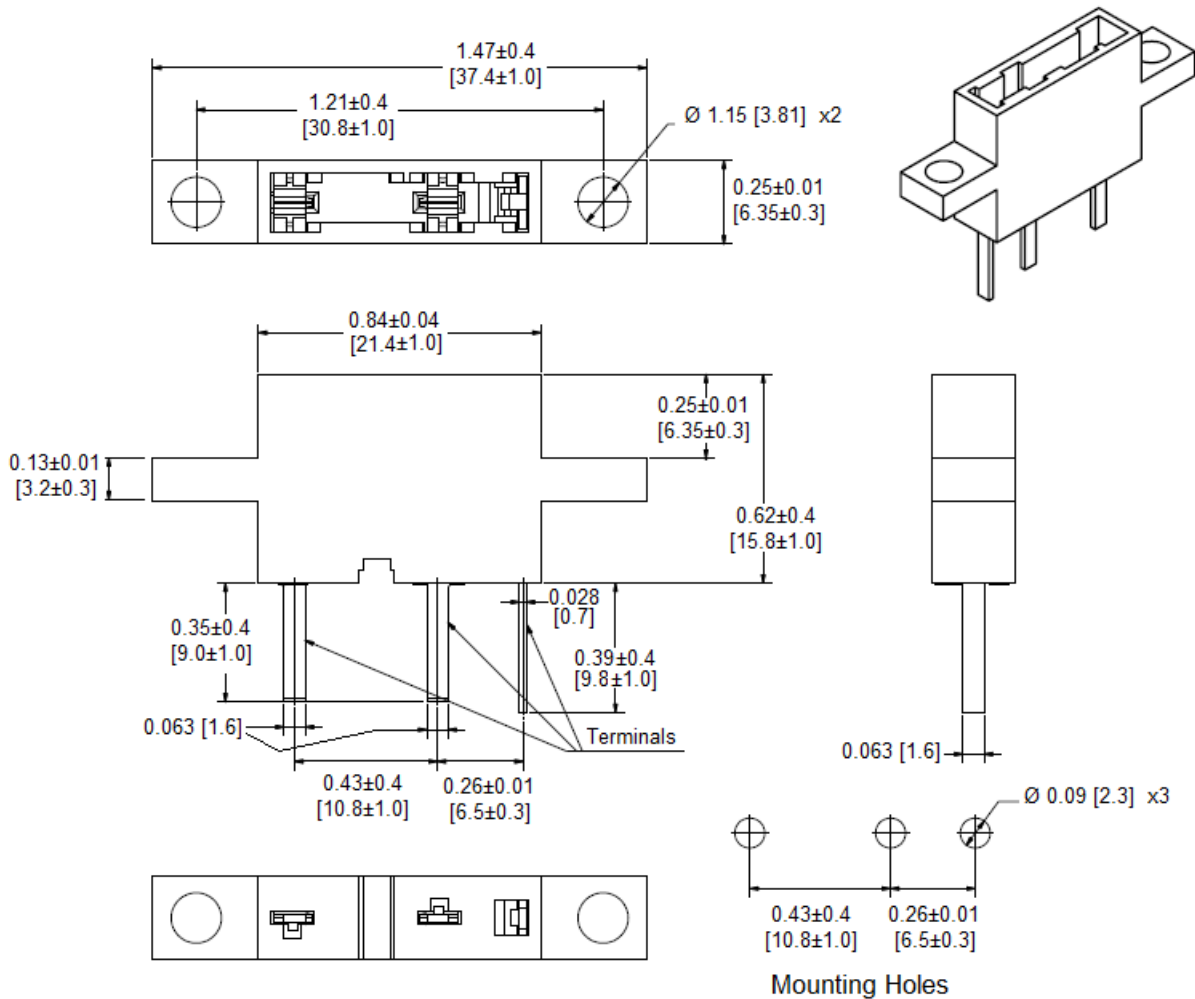
**Body:** Nylon GF30%, UL94V0

**Terminals:** Tin plated Copper Alloy

**Color:** Black



## Mechanical Dimensions: Inches [mm]



Note: All specifications subject to change without notice.

Rev B 10/2013 - Page: 1/1  
Code J01-01H