

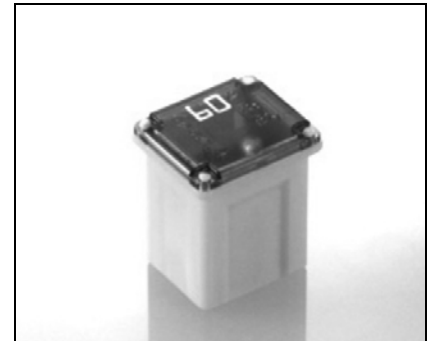
# Type FMX-LP Automotive Fuse Link Low Profile “JCASE<sup>®</sup>” Style



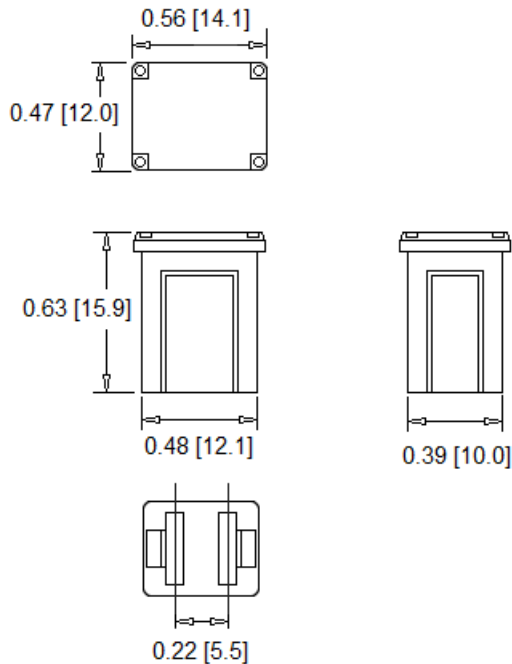
www.optifuse.com (619) 593-5050

## Specifications:

- Voltage:** 58 VDC
- Amperage:** 20A, 25A, 30A, 40A, 50A, 60A
- Interrupting Rating:** 1,000A @ 58VDC
- Operating Temperature:** -40°C to +125°C



## Mechanical Dimensions: Inches [mm]



Part Number	Ampere Rating	Housing Color
FMX-LP-20A	20A	Light-Blue
FMX-LP-25A	25A	White
FMX-LP-30A	30A	Pink
FMX-LP-40A	40A	Green
FMX-LP-50A	50A	Red
FMX-LP-60A	60A	Yellow

Time Characteristics		
% of rated current	Min hold time	Max hold time
110%	100h	
135%	60s	1800s
200%	5s	60s
350%	200ms	7s
600%	40ms	1s

### Warning:



-Operation beyond the specified maximum ratings or improper use may result in damage and possible electrical arcing and/or flame.

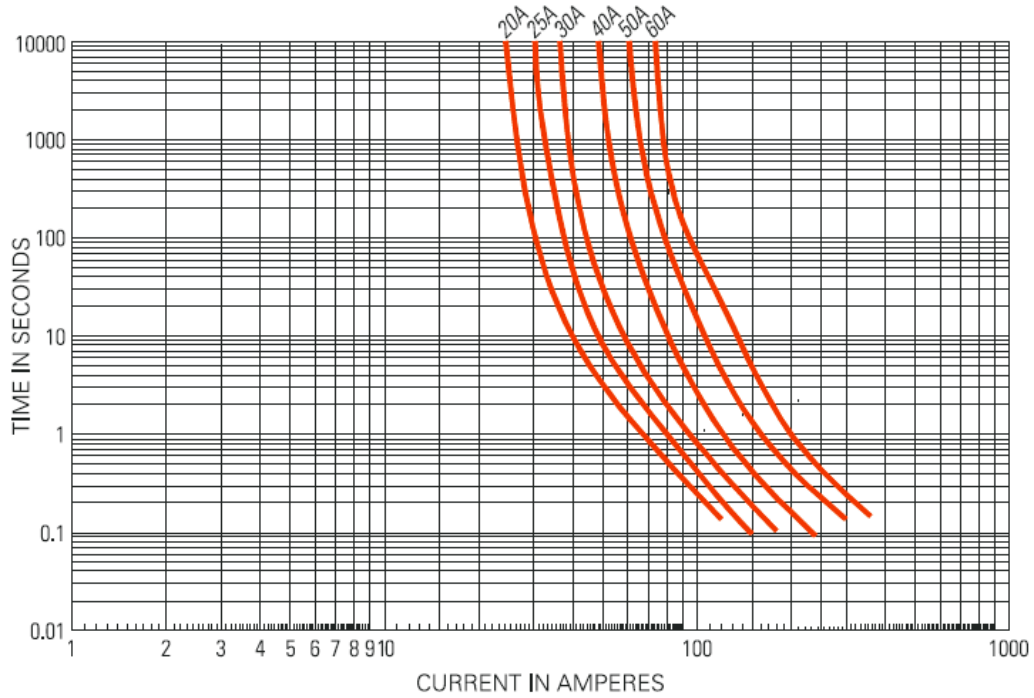
-Avoid contact of device with chemical solvent. Prolonged contact will damage the device performance.

**Type FMX-LP**  
**Automotive Fuse Link**  
**Low Profile “JCASE<sup>®</sup>” Style**



www.optifuse.com (619) 593-5050

**Time Current Curve Graph**



**Temperature Derating Curve**

