

# Type FMX-LP-I Automotive Fuse Link Low Profile “JCASE<sup>®</sup>” Style Open Fuse Indicating LED



www.optifuse.com

(619) 593-5050

## Specifications:

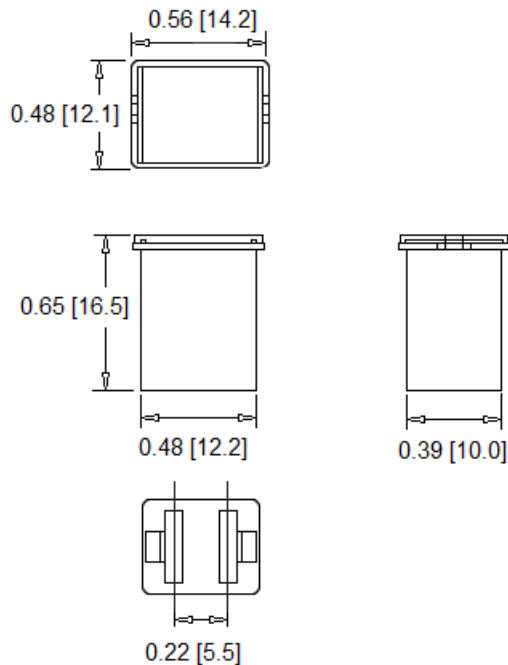
**Voltage:** 32 VDC

**Amperage:** 20A, 30A, 40A, 50A, 60A

## Agency Standards and Listings:

ISO 8820-4

## Mechanical Dimensions: Inches [mm]



Part Number	Ampere Rating	Housing Color
FMX-LP-I-20A	20A	Light-Blue
FMX-LP-I-30A	30A	Pink
FMX-LP-I-40A	40A	Green
FMX-LP-I-50A	50A	Red
FMX-LP-I-60A	60A	Yellow

Time Characteristics		
% of rated current	Min hold time	Max hold time
110%	100h	
135%	60s	1800s
200%	2s	60s
350%	200ms	7s
600%	40ms	1s

### Warning:



-Operation beyond the specified maximum ratings or improper use may result in damage and possible electrical arcing and/or flame.

-Avoid contact of device with chemical solvent. Prolonged contact will damage the device performance.