

# Type CSG-01-HD

## Fuse Clip – with End Stops

### 13/32” (10.3mm) Diameter Fuses



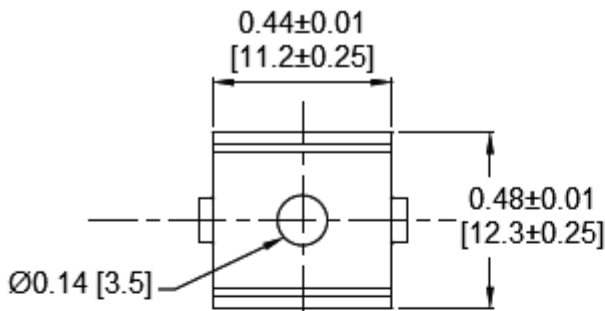
www.optifuse.com (619) 593-5050

#### Specifications:

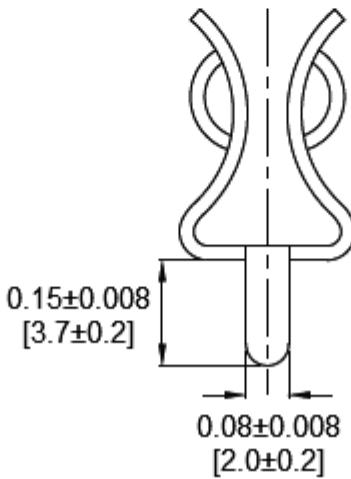
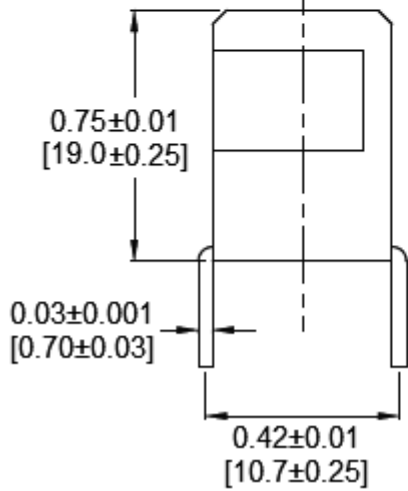
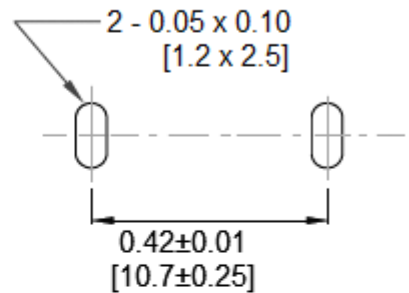
- Rating: 40A, 250V AC
- Body Material: Phosphor Bronze
- Finish: Bright Tin Plated
- Fuse Clip Type: With End Stops

For use with 13/32” (10.3mm) Diameter Fuses

#### Mechanical Dimensions: Inches [mm]



MOUNTING HOLES



#### Warning:



- Operation beyond the specified maximum ratings or improper use may result in damage and possible electrical arcing and/or flame.
- Avoid contact of device with chemical solvent. Prolonged contact may damage the device performance.
- Not designed for prolonged liquid exposure or submersible applications.