

# Type CNR-06-SMD PC Board Type Fuse Clip Regular Auto Blade Fuses



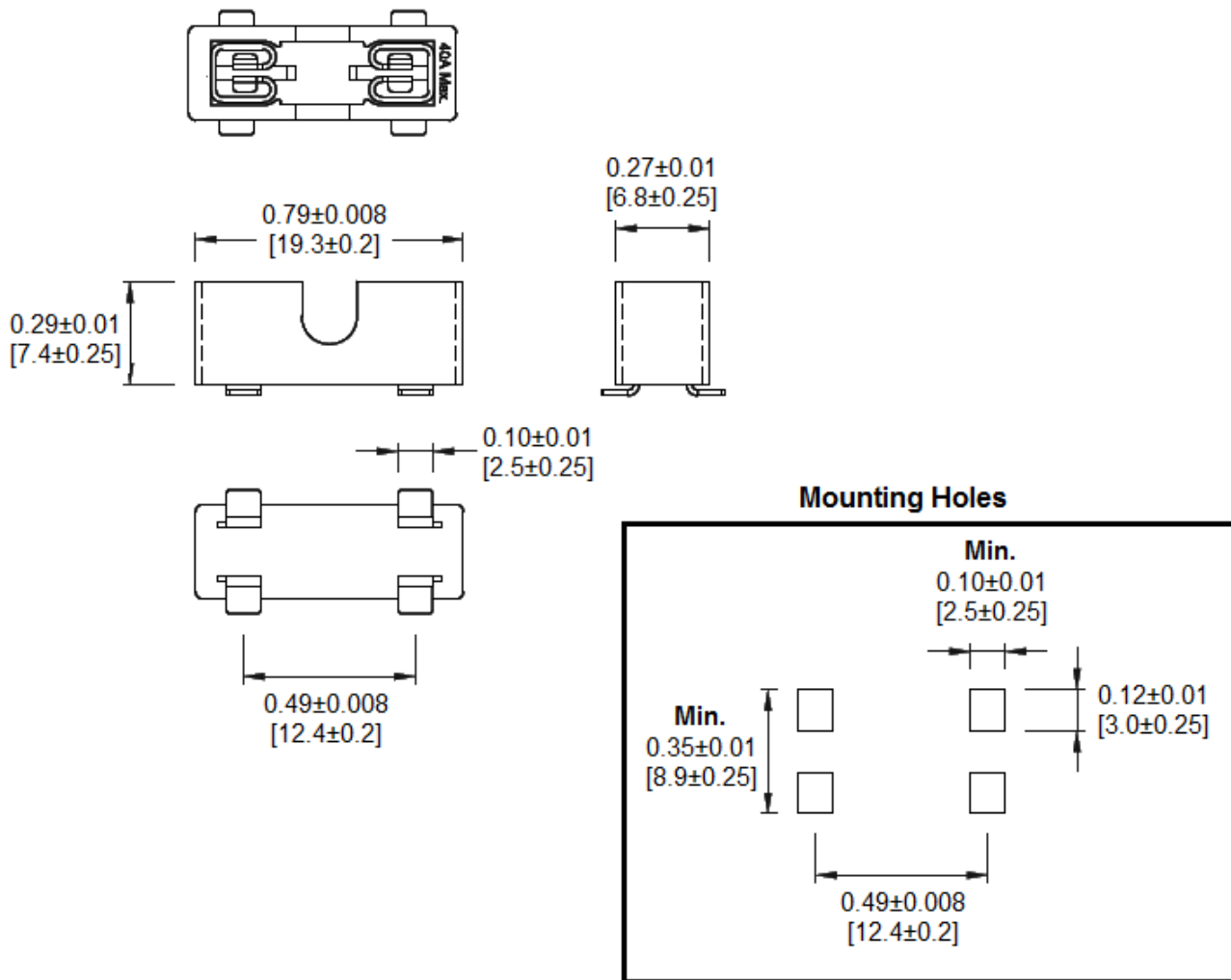
www.optifuse.com (619) 593-5050

## Specifications:

- Rating: 30A 500 VAC / 125 VDC
- Body Material: PBT
- Contacts: Beryllium, Tin-plated

For use with Regular Automotive Blade Fuses: **APR, ANR** Series

## Mechanical Dimensions: Inches [mm]



	<p><b>Warning:</b></p> <ul style="list-style-type: none"> <li>-Operation beyond the specified maximum ratings or improper use may result in damage and possible electrical arcing and/or flame.</li> </ul>
	<ul style="list-style-type: none"> <li>-Avoid contact of device with chemical solvent. Prolonged contact will damage the device performance.</li> </ul>

Note: All specifications and dimensions subject to change without notice.