

BLC-61 Fuse Block MID Limiter Fuses



www.optifuse.com (619) 593-5050

Specifications:

Voltage Rating: 32VDC

Max Fuse Rating: 100A

Fuse Type: MID / MIDA Limiter Fuses

Base and Cover: Nylon 66 -UL flame: 94V-0

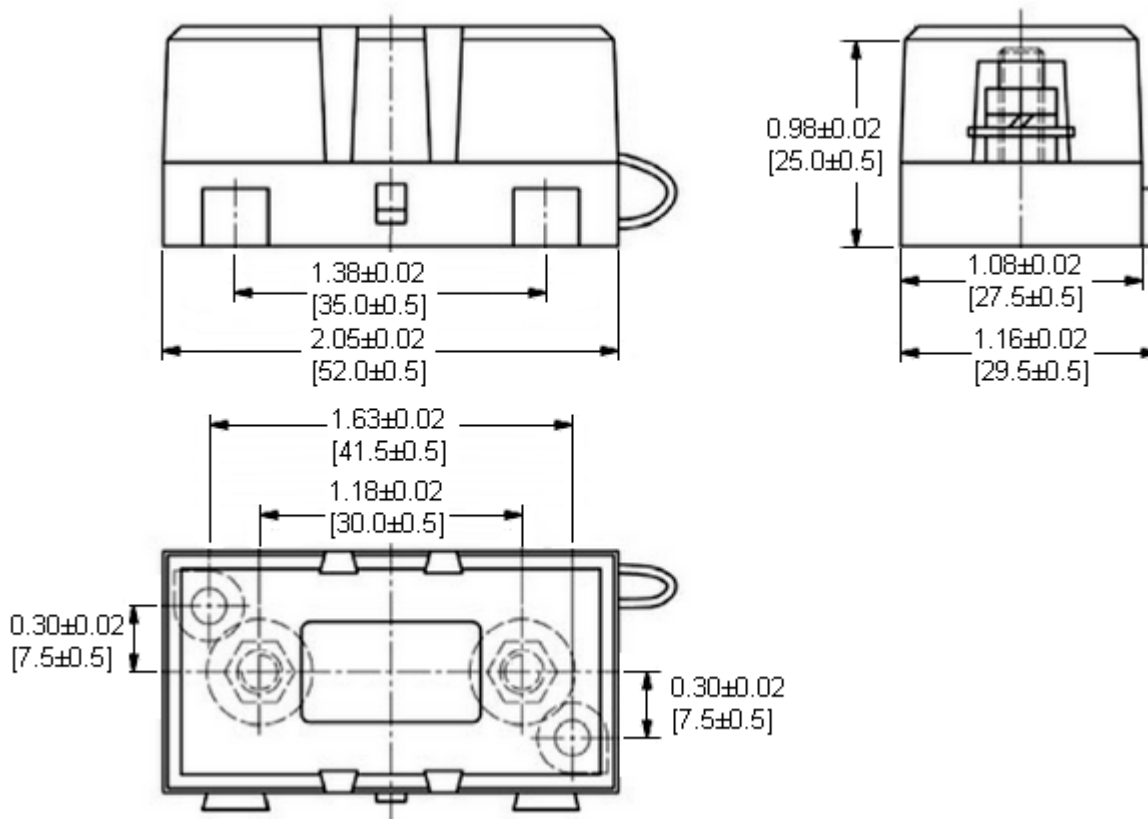
Transparent Window: PC

Terminals: M5 Threaded Studs with Hex Nuts, Lock Washers



Interconnecting pins on side of fuse to connect to secure multiple block configurations.

Mechanical Dimensions: Inches [mm]



Warning:



-Operation beyond the specified maximum ratings or improper use may result in damage and possible electrical arcing and/or flame.

-Avoid contact of device with chemical solvent. Prolonged contact may damage the device performance.

Note: All specifications subject to change without notice.

Rev A 06/2017 - Page: 1/1
Code H02-01H