

Type BLC-14 Fuse Block For 5 x 20mm Fuses



www.optifuse.com (619)-593-5050

Fuse Style: 5 x 20mm Fuses

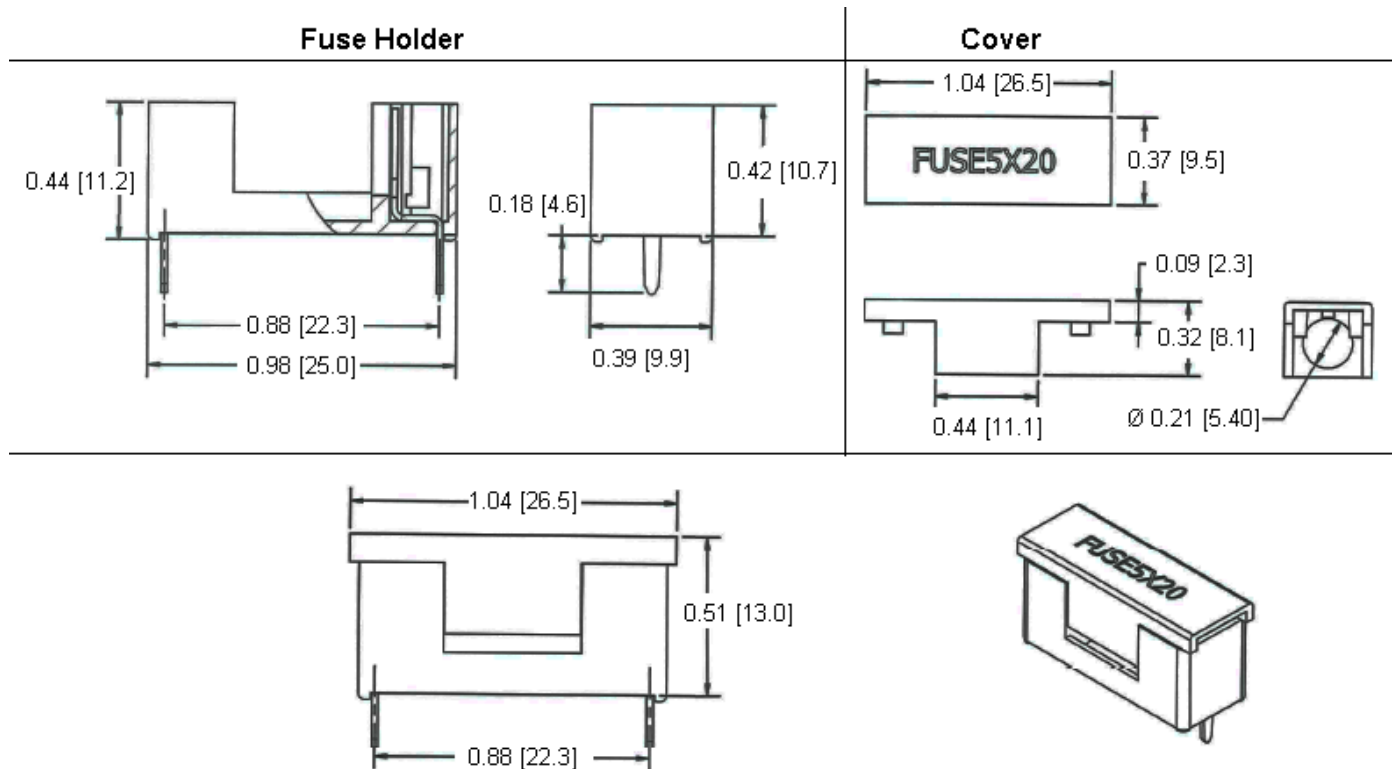
Electrical: 6.3A 250V


Material:

Body and Cover: Nylon 66

Terminal: Brass, Tin plated

Product Dimensions: Inches [mm]



<p>Warning:</p> 	<p>-Operation beyond the specified maximum ratings or improper use may result in damage and possible electrical arcing and/or flame.</p> <p>-Avoid contact of Fuse Block with chemical solvent. Prolonged contact will damage the device performance.</p>
--	---