

Type APM-UL Automotive Blade Fuse Miniature w/ UL Approval



www.optifuse.com (619) 593-5050

Specifications:

- Voltage: 32V DC
- Interrupt Rating: 1000A @ 32V DC
- Amperage: 2A, 3A, 4A, 5A, 7.5A, 10A, 15A, 20A, 25A, 30A
- Terminals: Silver plated

Agency Standards and Listings:

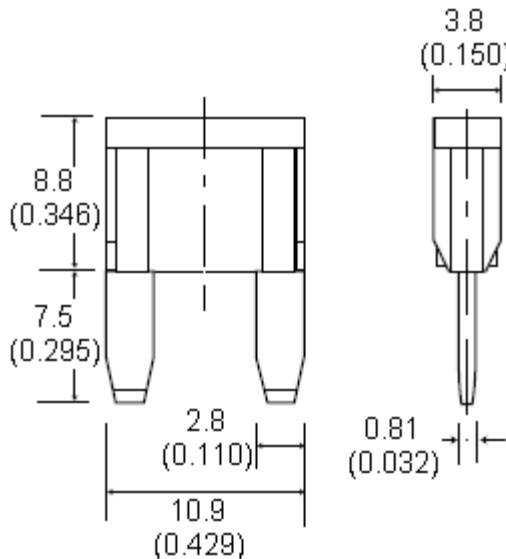


Designed to meet SAE J2077 and ISO 8820-3 Standards.
Tested under UL 275A standard.

Part Number	Amperage	Body Color
APM-UL-2A	2A	Gray
APM-UL-3A	3A	Violet
APM-UL-4A	4A	Pink
APM-UL-5A	5A	Tan
APM-UL-7.5A	7.5A	Brown
APM-UL-10A	10A	Red
APM-UL-15A	15A	Blue
APM-UL-20A	20A	Yellow
APM-UL-25A	25A	Natural
APM-UL-30A	30A	Green

Time Characteristics:		
% of Rated Current	Min Hold Time	Max Hold Time
110%	>100h	
135%	750ms	600s
200%	150ms	5s
350%	80ms	250ms
600%	30ms	100ms

Mechanical Dimensions: mm (Inches)



	-Operation beyond the specified maximum ratings or improper use may result in damage and possible electrical arcing and/or flame.
	-Avoid contact of device with chemical solvent. Prolonged contact will damage the device performance.

Type APM-UL Automotive Blade Fuse Miniature w/ UL Approval



www.optifuse.com (619) 593-5050

Time Current Curve Graph

